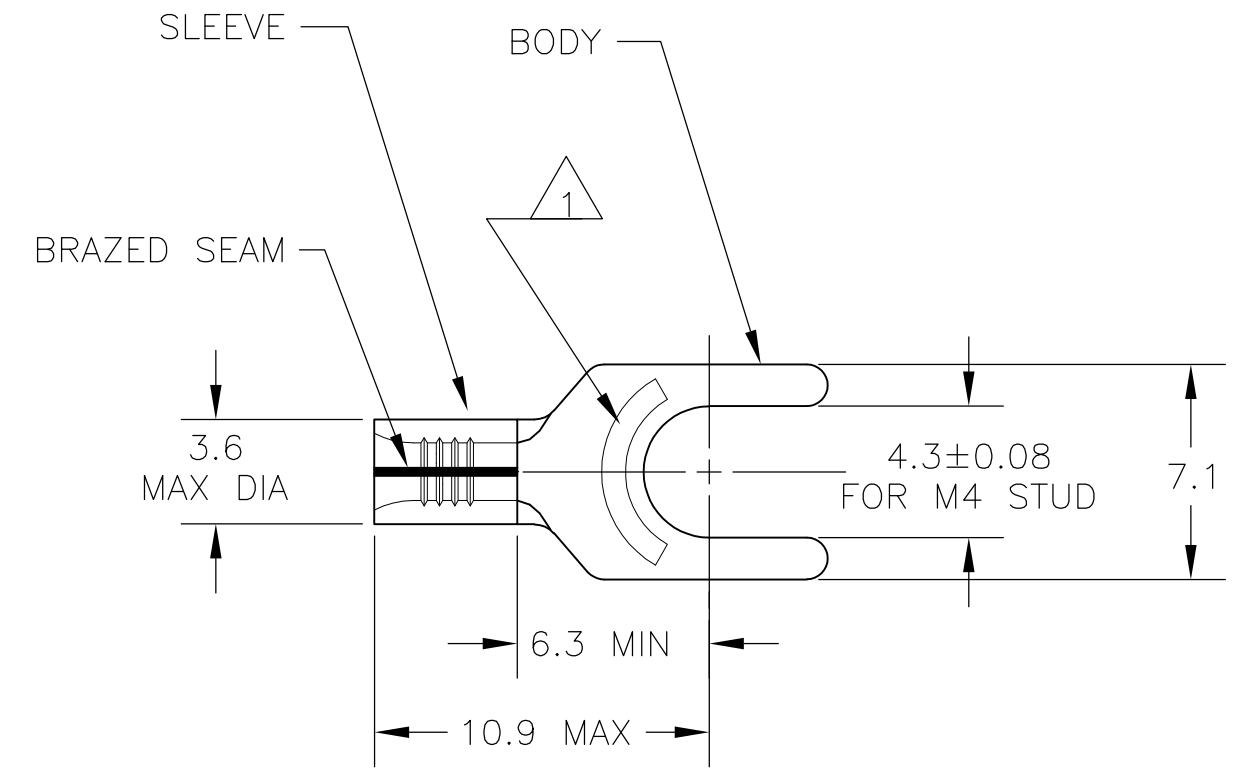


THIS DRAWING IS UNPUBLISHED. RELEASED FOR PUBLICATION  
 © COPYRIGHT BY TYCO ELECTRONICS CORPORATION. ALL RIGHTS RESERVED.

LOC	DIST	REVISIONS					
		P	LTR	DESCRIPTION	DATE	DWN	APVD
G	14		B1	REVISED PER ECR-09-009722	05MAY09	HMR	TM
			B2	REVISED PER ECO-09-020935	29AUG09	KK	AEG

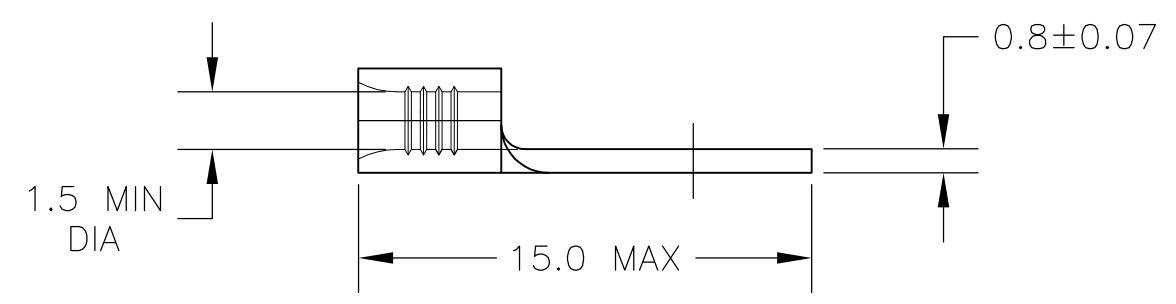


**AMP**  
WIRE RANGE

---

22-16 AWG  
SOLID OR STRANDED

- 1 STAMP "AMP 22-16\*", APPROX AS SHOWN
- 2 OBSOLETE PARTS: OBSOLETE CIS STREAMLINING PER D.RENAUD/D.SINISI



2	OBSOLETE	100	LOOSE PIECE	<del>8</del> 130519 1
		1000	LOOSE PIECE	130519
	QTY		PACKAGE TYPE	PART NO

**AMP INCORPORATED**  
CUSTOMER SERVICE SYSTEMS

FOR ADDITIONAL PRODUCT INFORMATION OR COPIES OF DRAWINGS AND TECHNICAL DOCUMENTS	PRODUCT INFORMATION CENTER 1-800-522-6752
FOR APPLICATION TOOLING INFORMATION	TOOLING ASSISTANCE CENTER 1-800-722-1111
FOR ORDER ENTRY	1-800-526-5142

MAX RECOMMENDED OPERATING TEMPERATURE:  
170°C MAX

VOLTAGE RATING:  
--

CIRCULAR MIL AREA:  
0.26-1.65mm<sup>2</sup> [509-3,260]  
SOLID OR STRANDED

THIS DRAWING IS A CONTROLLED DOCUMENT.

DIMENSIONS: MM INCHES

TOLERANCES UNLESS OTHERWISE SPECIFIED:

0 PLC	± -
1 PLC	± 0.2
2 PLC	± -
3 PLC	± -
4 PLC	± -
ANGLES	± -

MATERIAL: COPPER PER ASTM B-152

FINISH: TIN PL PER ASTM B545

DWN: JR RUTH 06OCT08	<b>Tyco Electronics</b>	Tyco Electronics Corporation Harrisburg, PA 17105-3608	
CHK: T MICHIELUTTI 06OCT08		NAME: TERMINAL, SPADE TONGUE, SOLISTRAND	
APVD: T MICHIELUTTI 06OCT08		WIRE SIZE: 22-16 AWG	
PRODUCT SPEC: --	SIZE: A3	CAGE CODE: 00779	DRAWING NO: C-130519
APPLICATION SPEC: --	WEIGHT: --	RESTRICTED TO: --	
CUSTOMER DRAWING		SCALE: 4:1	SHEET: 1 OF 1
			REV: B2