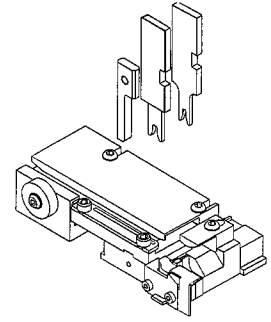




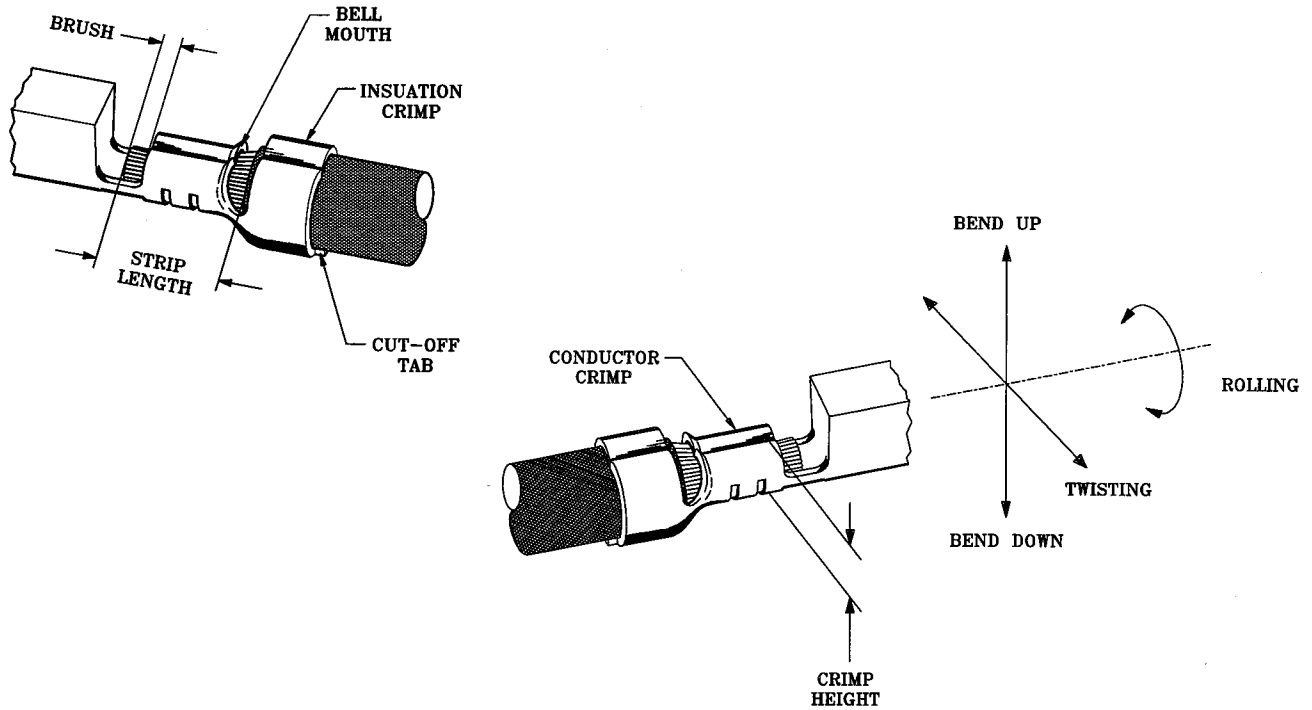
SPECIFICATION SHEET
T2 Terminator
63853-9000
REVISION A



SCOPE

| Terminal Series No | Wire Size | | Insulation Diameter | | Strip Length | |
|--------------------|-----------|--------------------|---------------------|-------------|--------------|-------------|
| | Awg | (mm ²) | mm | (in) | mm | (in) |
| 50098 | 18-22 | (0.80-0.35) | 1.60-2.60 | (.063-.102) | 2.50-3.00 | (.098-.118) |
| | | | | | | |
| | | | | | | |
| | | | | | | |

DEFINITION OF TERMS



The above terminal drawing is a generic terminal representation. It is not an image of a terminal listed in the scope

SPECIFICATIONS

| Terminal Series No. | Bellmouth | | Cut-Off Tab Max. | | Conductor Brush | |
|---------------------|-----------|-------------|------------------|--------|-----------------|-------------|
| | mm | (in) | mm | (in) | mm | (in) |
| 50098 | 0.20-0.50 | (.008-.020) | 0.20 | (.008) | 0.00-0.50 | (.000-.020) |
| | | | | | | |
| | | | | | | |

| Terminal Series No. | Bend Up | Bend Down | Twist | Roll | Punch Width mm | |
|---------------------|---------|-----------|-------|------|----------------|------------|
| | Degree | Degree | | | Conductor | Insulation |
| 50098 | 6 | 2 | 5 | 5 | 1.60 | 2.80 |
| | | | | | | |
| | | | | | | |

The above specifications are guidelines to an optimum crimp.

CONDITIONS

After crimping, the conductor profile should measure the following.

| Terminal Series | Wire Size | | Crimp Height | | Pull Force Min | |
|-----------------|-----------|--------------------|--------------|-------------|----------------|--------|
| | Awg | (mm ²) | mm | (in) | N | (lbs) |
| 50098 | 18 | (0.80) | 1.12-1.22 | (.044-.048) | 88.0 | (19.8) |
| 50098 | 20 | (0.50) | 0.93-1.03 | (.037-.041) | 58.7 | (13.2) |
| 50098 | 22 | (0.35) | 0.87-0.92 | (.034-.036) | 39.1 | (8.8) |
| | | | | | | |
| | | | | | | |
| | | | | | | |
| | | | | | | |
| | | | | | | |
| | | | | | | |
| | | | | | | |
| | | | | | | |
| | | | | | | |
| | | | | | | |
| | | | | | | |

Pull Force measured with no influence from the insulation crimp

PARTS LIST

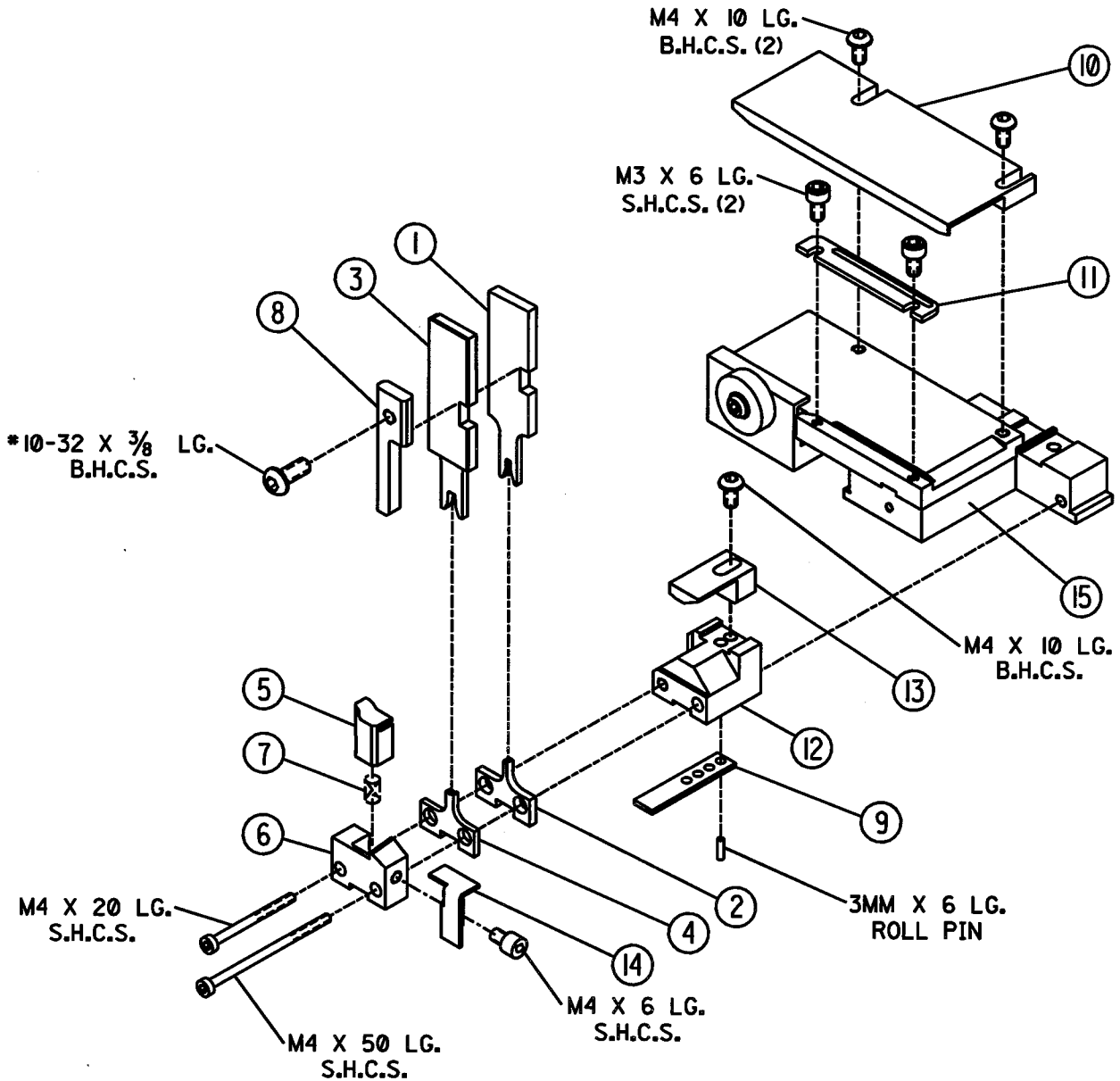
| Item Number | Order Number | Eng Number | Description | Qty | Kit Part |
|-------------|--------------|------------|--------------------------|-----|----------|
| 1 | 634441605 | 634441605 | Conductor Punch | 1 | Y |
| 2 | 634451641 | 634451641 | Conductor Anvil | 1 | Y |
| 3 | 634462811 | 634462811 | Insulation Punch | 1 | Y |
| 4 | 634452817 | 634452817 | Insulation Anvil | 1 | Y |
| 5 | 634430002 | 634430002 | Cut-Off Plunger | 1 | Y |
| 6 | 634430012 | 634430012 | Front Plunger Retainer | 1 | Y |
| 7 | 11-24-1067 | 4996-4 | Cut-Off Plunger Spring | 1 | |
| 8 | 11-40-4039 | 8302-5 | Front Plunger Striker | 1 | |
| 9 | 634430021 | 634430021 | Lower Tooling Key | 1 | |
| 10 | 634436011 | 634436011 | Rear Cover | 1 | |
| 11 | 11-18-4083 | 60707-8 | Front Cover | 1 | |
| 12 | 634432409 | 634432409 | Anvil Mount | 1 | |
| 13 | 634434005 | 634434005 | Wire Stop | 1 | |
| 14 | 634430009 | 634430009 | Scrap Chute | 1 | |
| 15 | 638008500 | 638008500 | T2 Terminator | 1 | |
| 70 | 638539070 | 638539070 | Tool Kit (All "Y" Items) | 0 | |

NOTES

1. We recommend an extra perishable tooling kit be maintained at your facility.
2. Verify tooling alignment by manually cycling the press and Terminator before crimping under power.
3. Slugs , Terminals, Dirt and Oil should be kept clear of work area.
4. This Terminator should only be used in a Molex TM42, TM40, or 3BF Press with a BaseUnit adaptor.
5. **** CAUTION**** To prevent injury never operate this Terminator without the guarding supplied with the TM42 , TM40, or 3BF Press / Base Unit.
6. Wear safety glasses at all times.

ASSEMBLY DRAWING

The drawing below is a generic drawing representation. Some detail may not be shown. The T2 Terminator assembly and parts list can be found in the T2 Terminator manual.

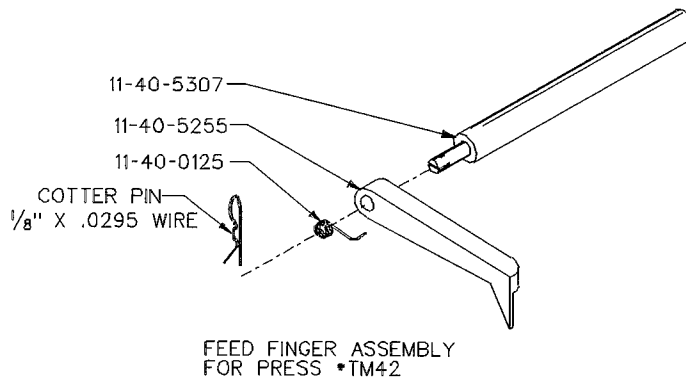


Note

Depending on the press vintage a feed finger assembly is supplied with the T2 Terminator.

1. To remove the existing feed finger assembly loosen the M4 x 10 mm set screw in the feed lever.
2. Select T2 Feed finger assembly from Terminator box
3. Insert a screwdriver into to slot behind the feed lever and force the 12 mm spring to the right.
4. Slide the T2 feed finger shaft for TM42 (11-40-5307) or (11-40-0123) for TM40 /Base Unit into the feed lever and to the left of the 12 mm spring.
5. Release the 12 mm spring.
6. Position feed finger for selected product. (Ref fig 5.1 T2 Manual)

TM42 Press



TM40 Press & BaseUnit & Adaptor

