

NOTES:

1. MATERIAL AND FINISH (PLATING THICKNESS IN MICRO-INCHES):
 BODY BERYLLIUM COPPER, ALBALOY PLATING OVER SILVER
 CONTACT PIN BERYLLIUM COPPER, GOLD PLATING
 INSULATOR PTFE, NATURAL

2. ELECTRICAL:

A. IMPEDANCE: 50 OHM
 B. FREQUENCY RANGE: DC - 6 GHz
 C. RETURN LOSS (VSWR) AT AXIAL FLOAT POSITION:
 DC-3 GHz: 28 dB (1.08) @ NOMINAL
 21 dB (1.12) @ ±0.7 mm
 3-6 GHz: 22 dB (1.17) @ NOMINAL
 19 dB (1.25) @ ±0.7 mm
 D. INSULATION RESISTANCE: 5 GOHM MIN.
 E. POWER HANDLING: 40 W MAX. @ 2.6GHz AT 85°C
 F. STATIC INTERMODULATION 3RD ORDER IN ALL AXIAL FLOAT POSITIONS:
 -163 dBc MAX. (930 MHz & 955 MHz AT 43 dBm)

3. MECHANICAL:

A. MATING CYCLES: 200 MIN FOR SMOOTH BORE
 50 MIN FOR LIMITED DETENT
 B. TEMPERATURE RANGE: -55°C TO +125°C

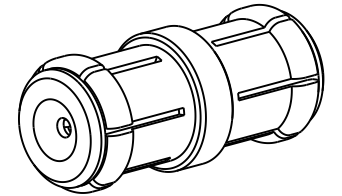
4. PACKAGING:

A. PACKAGE IN 50 PIECE TRAYS
 B. MARK TRAYS: "AMPHENOL RF, 920-505A-51S, DATE CODE"

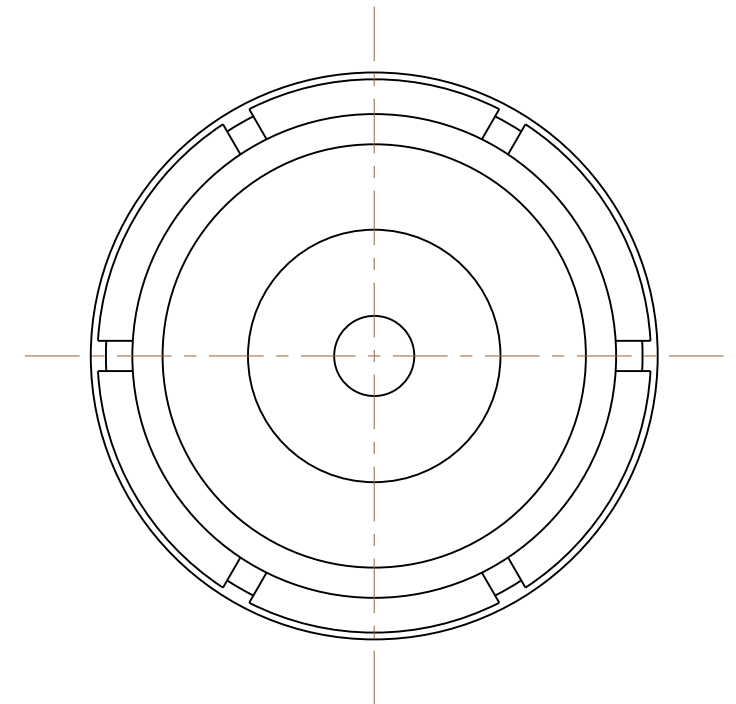
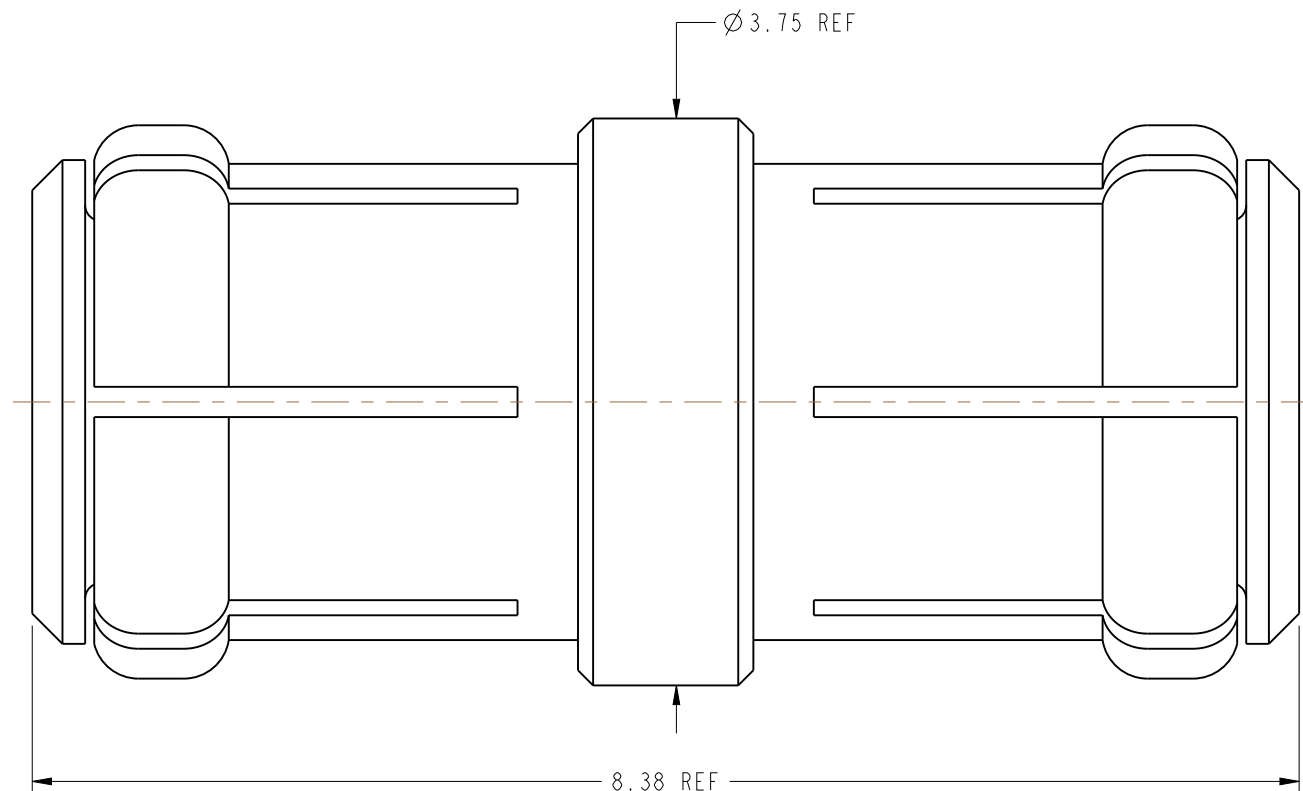
THIRD ANGLE PROJ.

REVISIONS

REV	DESCRIPTION	DATE	ECN	APPR
A	RELEASE TO MFG.	24-May-18	8168	BMG



SCALE 5.000



CUSTOMER OUTLINE DRAWING

ALL OTHER SHEETS ARE FOR INTERNAL USE ONLY

UNLESS OTHERWISE SPECIFIED, DIMENSIONS ARE IN METRIC AND TOLERANCES ARE:
 <0.5mm ±0.05mm 0.5 - 6mm ±0.1mm 6 - 30mm ±0.2mm 30 - 120mm ±0.3mm ANGLES ±1°

NOTICE - These drawings, specifications, or other data (1) are, and remain the property of Amphenol corp. (2) must be returned upon request; and (3) are confidential and not to be disclosed to any person other than those to whom they are given by Amphenol Corp. the furnishing of these drawings, specifications, or other data by Amphenol Corp., or to any other person to anyone for any purpose is not to be regarded by implication or otherwise in any manner licensing, granting rights to permitting such holder or any other person to manufacture, use or sell any product, process or design, patented or otherwise, that may in any way be related to or disclosed by said drawings, specifications, or other data.

MATERIAL	SEE NOTES	DRAWN	B. GREENBAUM	DATE	18-May-17	TITLE	HD-EFI 8.38MM BULLET	Amphenol RF	www.amphenolrf.com
REFERENCE	EAR# 7563	ENGINEER	B. GREENBAUM	DATE	18-May-17				
	REF: 615X-3349-X00	APPROVED	K. CAPOZZI	DATE	24-May-18	SCALE: 20.0:1.0	SHEET 2 OF 2	DRAWING NO.	920-505A-51S
CONFIGURATION LEVEL:	In Work	CAD FILE		DWG SIZE	B	REV	A	ITEM NO.	920-505A-51S
FINISH								PART NO.	920-505A-51S