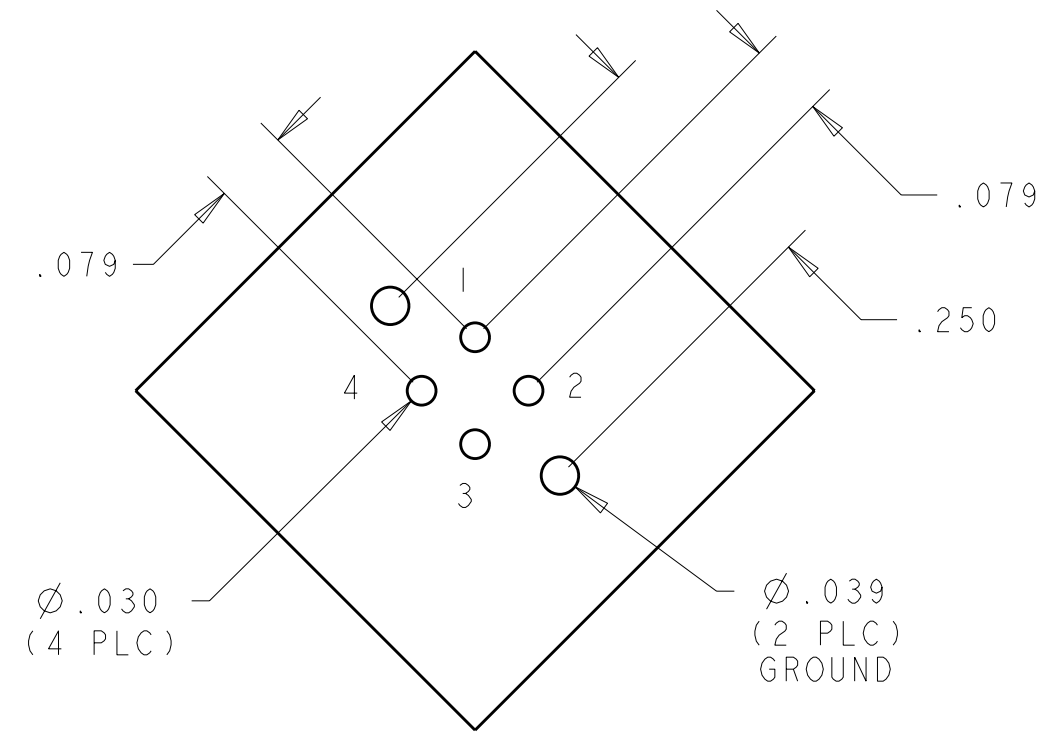
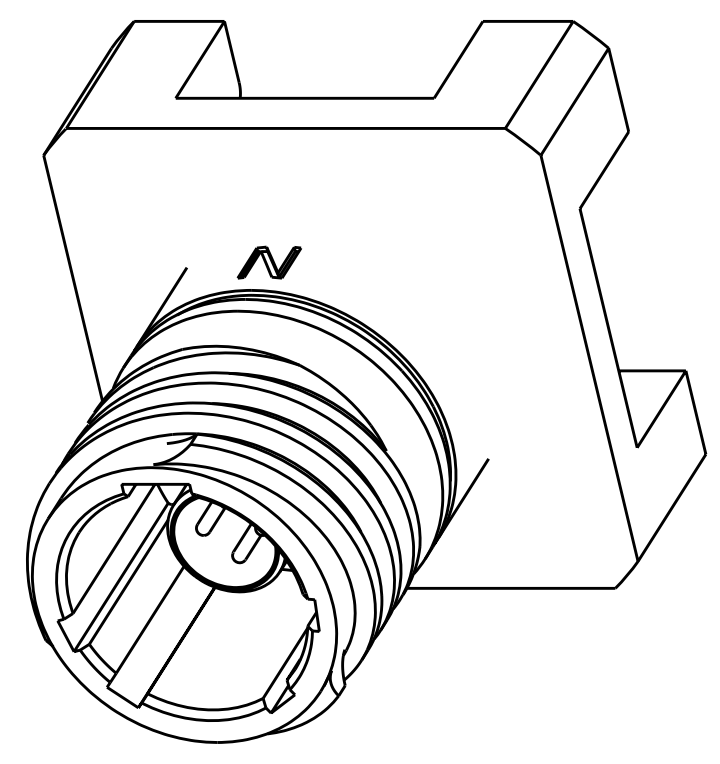


THIS DRAWING IS UNPUBLISHED. RELEASED FOR PUBLICATION 20
 © COPYRIGHT 20 BY TYCO ELECTRONICS CORPORATION. ALL RIGHTS RESERVED.

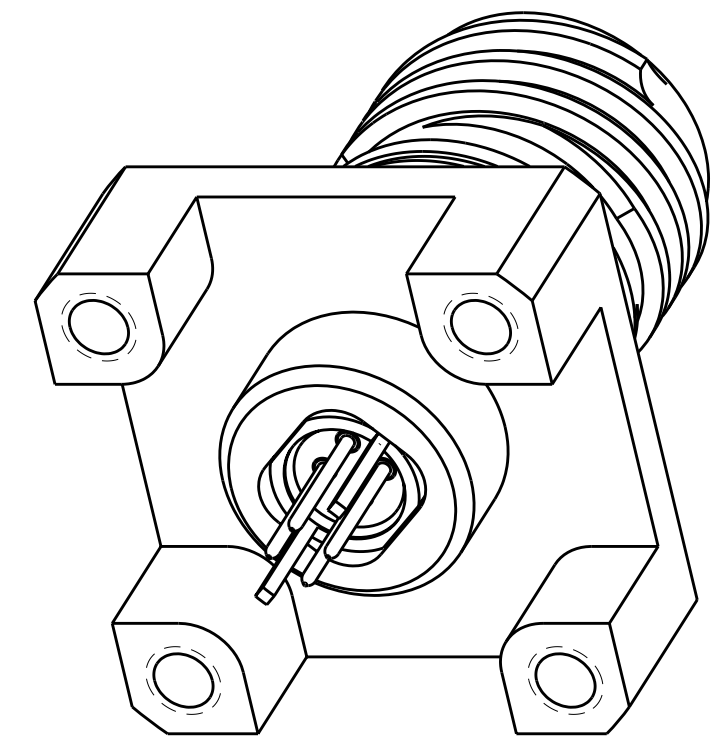
LOC	DIST	REVISIONS					
DF	A5	P	LTR	DESCRIPTION	DATE	DWN	APVD
		E		REV PER ECO 09-025507	12-11-09	CT	DM



PCB LAYOUT

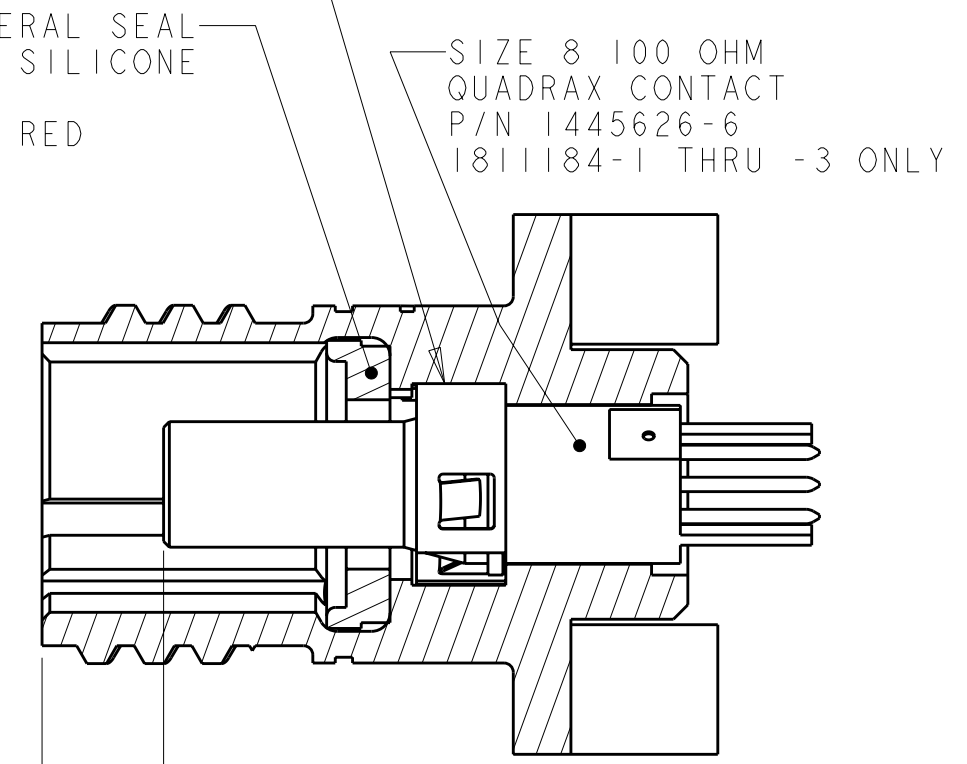
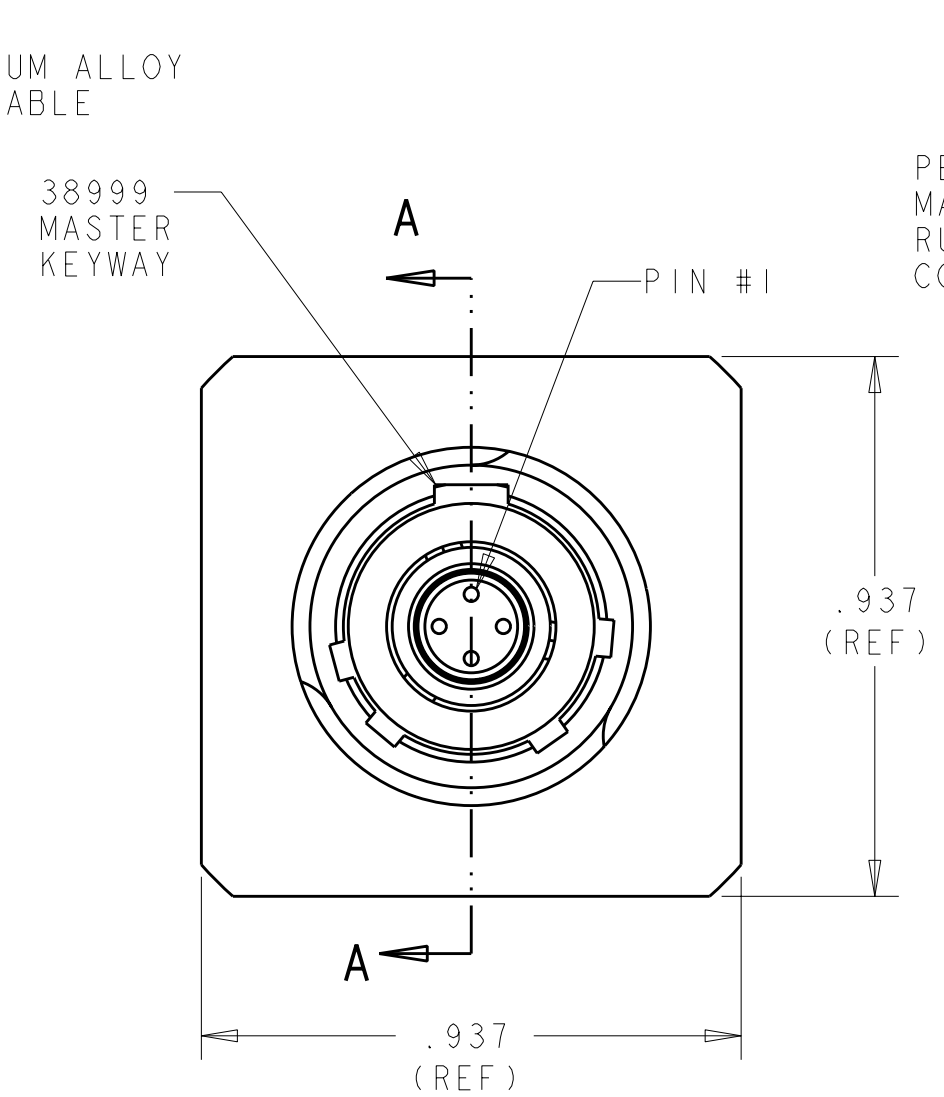
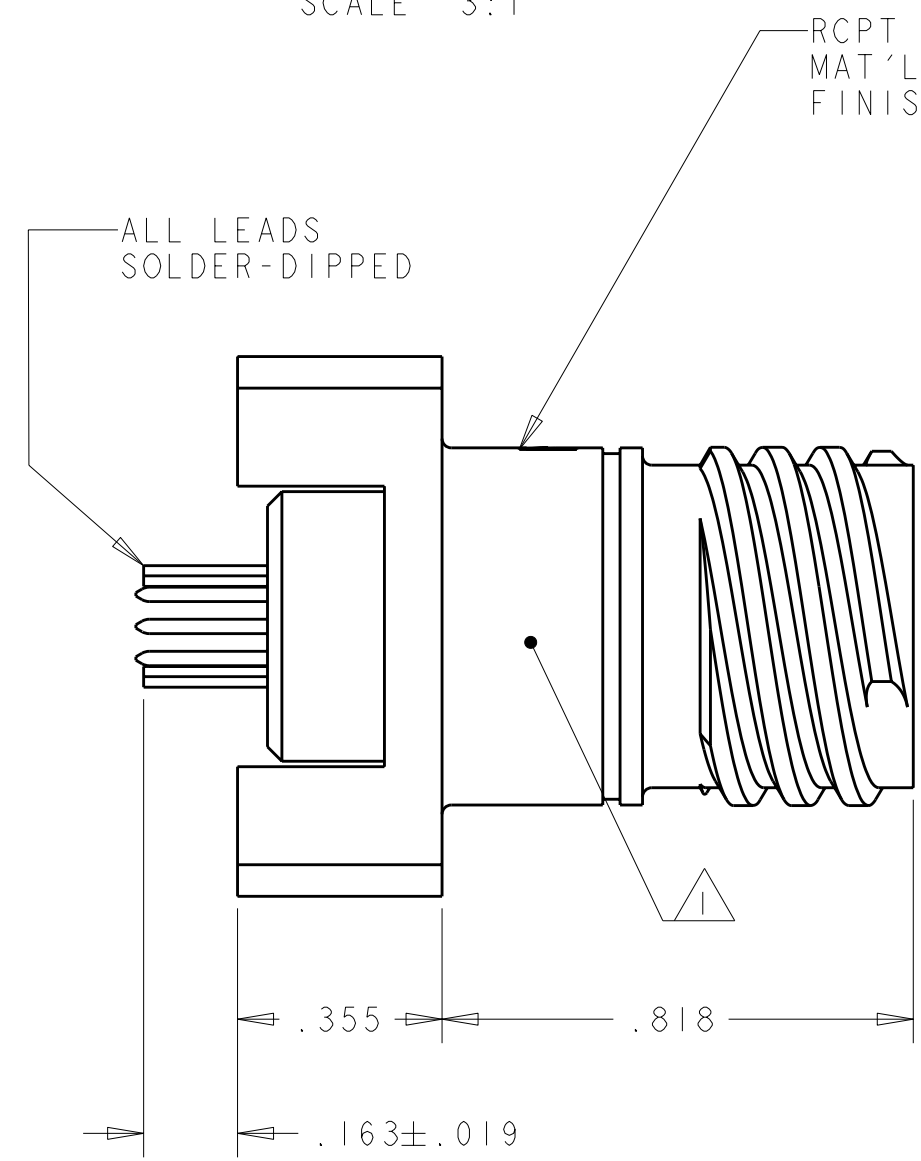
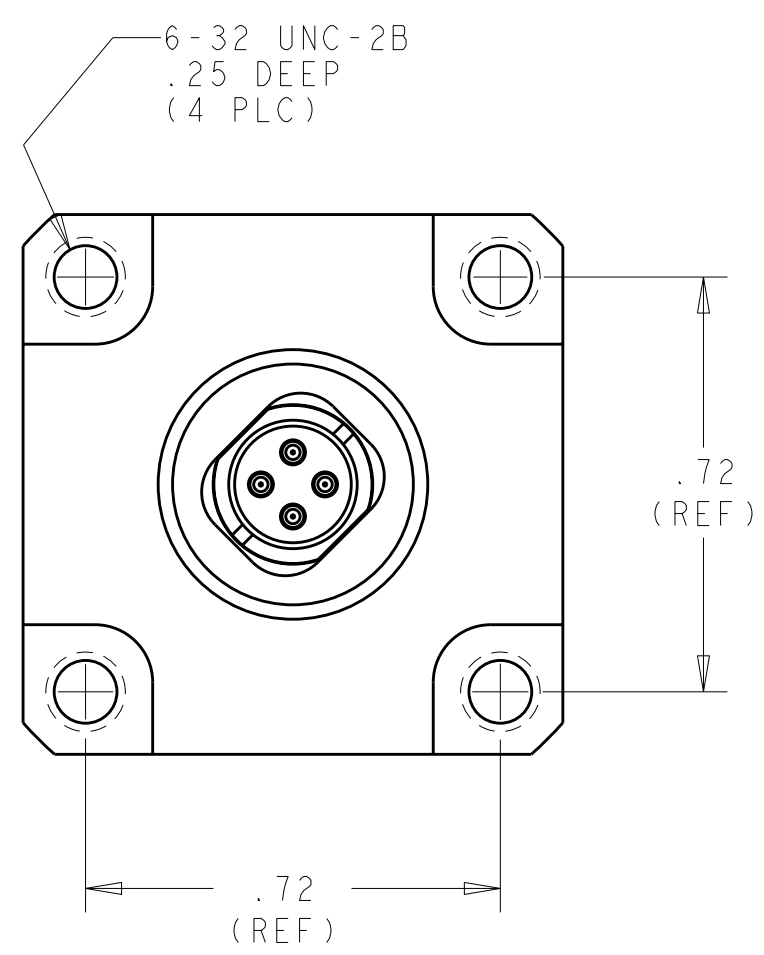


SCALE 3:1



SCALE 3:1

RETENTION CLIP
 MAT'L: STAINLESS STEEL
 FINISH: PLATED SILVER
 OVER NICKEL UNDERPLATE



SECTION A-A

- PART IS MARKED WITH TE PART NO. (SEE TABLE), (00779) TE LOGO OR TE AND DATE CODE.
- OPERATING TEMPERATURE RANGE: -65°C TO +125°C (-85°F TO +257°F).
- THE CONNECTOR QUALIFICATION WAS COMPLETED PER TE SPEC. 108-2199. THE QUADRAX CONTACTS ARE QUALIFIED PER TE SPEC. 108-2131. THE REFERENCE TEST REPORTS ARE TYCO ELECTRONICS 501-660 FOR THE CONNECTOR AND 501-574 FOR THE CONTACTS WHICH ARE SAME AS ARINC 600-13, DRAFT 2 OF SUPPLEMENT 14 (AIR TRANSPORT AVIONICS EQUIPMENT INTERFACES).

NO CONTACT	NICKEL	"B" KEY	1811184-9
NO CONTACT	NICKEL	"A" KEY	1811184-8
NO CONTACT	NICKEL	"N" KEY	1811184-7
W/CONTACT	NICKEL	"B" KEY	1811184-3
W/CONTACT	NICKEL	"A" KEY	1811184-2
W/CONTACT	NICKEL	"N" KEY	1811184-1
REMARKS	SHELL FINISH	38999 POLARIZATION	PART NUMBER

THIS DRAWING IS A CONTROLLED DOCUMENT FOR TYCO ELECTRONICS CORPORATION. IT IS SUBJECT TO CHANGE AND THE CONTROLLING ENGINEERING ORGANIZATION SHOULD BE CONTACTED FOR THE LATEST REVISION.		DWN: JMS 04AUG04	Tyco Electronics Harrisburg, PA 17105-3608	
DIMENSIONS: INCHES		CHK: WHB 04AUG04	NAME: RECEPTACLE, 38999 SERIES III, SIZE 9 PCB MOUNT WITH STAND-OFFS, SINGLE QUADRAX	
TOLERANCES UNLESS OTHERWISE SPECIFIED: 0 PLC ±.1 1 PLC ±0.1 2 PLC ±0.01 3 PLC ±0.001 4 PLC ±0.0001 ANGLES ± FINISH		APVD: WHB 04AUG04	SIZE: A200779 CAGE CODE: 1811184	
MATERIAL		PRODUCT SPEC	RESTRICTED TO	
		APPLICATION SPEC	-	
		WEIGHT	-	
CUSTOMER DRAWING		SCALE: 3:1	SHEET 1 OF 1 REV E	