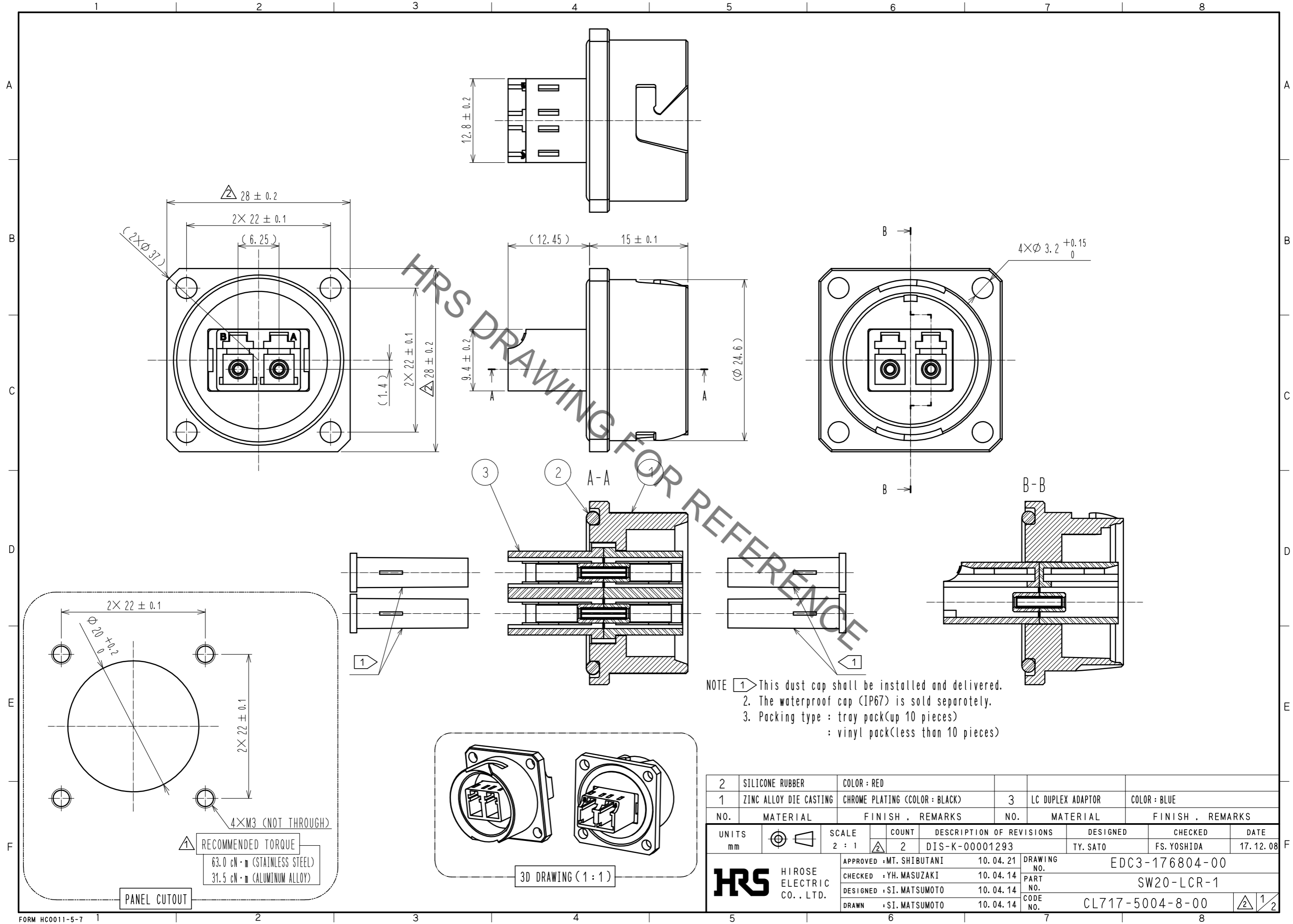
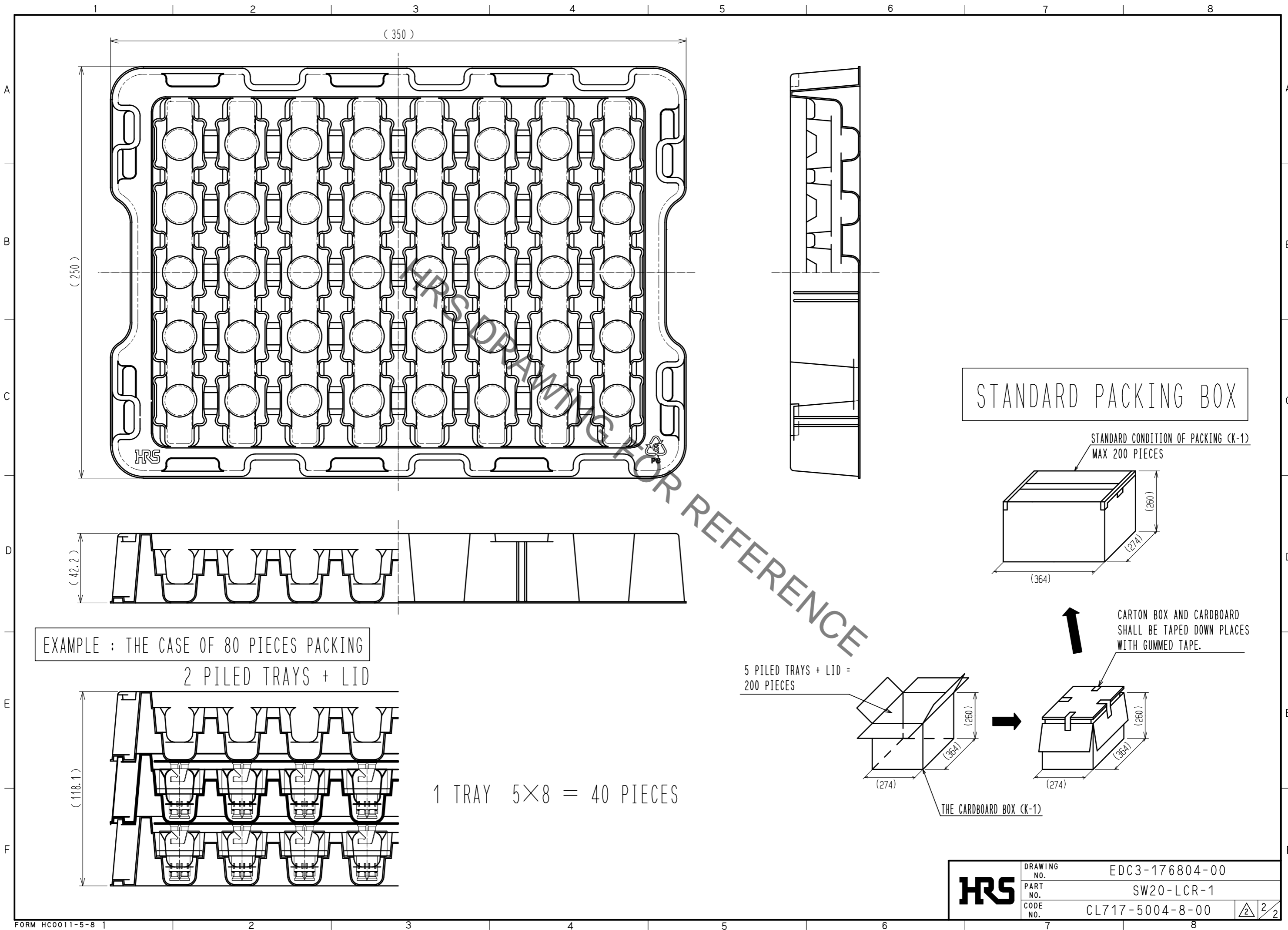


Jul.1.2019 Copyright 2019 HIROSE ELECTRIC CO., LTD. All Rights Reserved.
 In case of consideration for using Automotive equipment / device which demand high reliability, kindly contact our sales window correspondents.

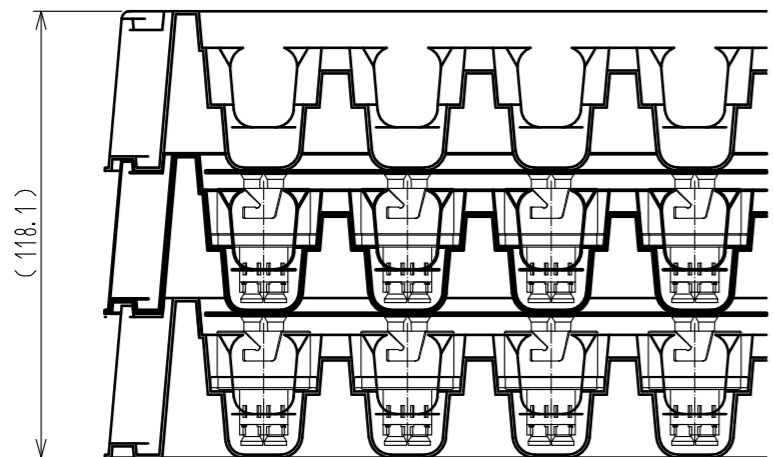


2	SILICONE RUBBER	COLOR : RED			
1	ZINC ALLOY DIE CASTING	CHROME PLATING (COLOR : BLACK)	3	LC DUPLEX ADAPTOR	COLOR : BLUE
NO.	MATERIAL	FINISH . REMARKS	NO.	MATERIAL	FINISH . REMARKS
UNITS		SCALE	COUNT	DESCRIPTION OF REVISIONS	
mm		2 : 1	2	DIS-K-00001293	
APPROVED : MT. SHIBUTANI			10.04.21	DESIGNED	TY. SATO
CHECKED : YH. MASUZAKI			10.04.14	CHECKED	FS. YOSHIDA
DESIGNED : SI. MATSUMOTO			10.04.14	DATE	17.12.08
DRAWN : SI. MATSUMOTO			10.04.14	DRAWING NO. EDC3-176804-00	
HRS HIROSE ELECTRIC CO., LTD.			PART NO. SW20-LCR-1		
			CODE NO. CL717-5004-8-00		

Jul.1.2019 Copyright 2019 HIROSE ELECTRIC CO., LTD. All Rights Reserved.
 In case of consideration for using Automotive equipment / device which demand high reliability, kindly contact our sales window correspondents.



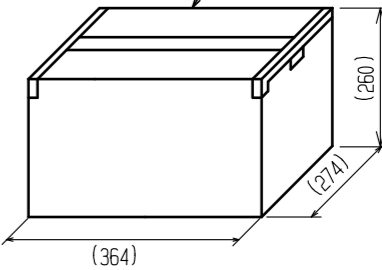
EXAMPLE : THE CASE OF 80 PIECES PACKING
 2 PILED TRAYS + LID



1 TRAY 5x8 = 40 PIECES

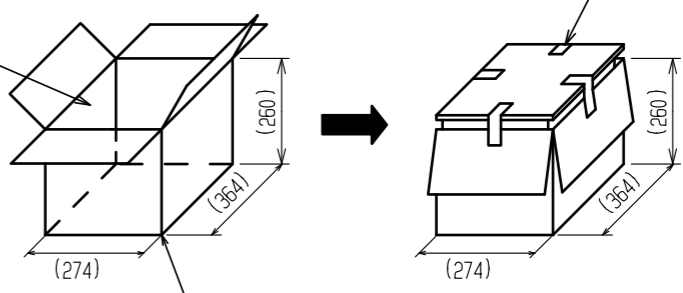
STANDARD PACKING BOX

STANDARD CONDITION OF PACKING (K-1)
 MAX 200 PIECES



CARTON BOX AND CARDBOARD
 SHALL BE TAPED DOWN PLACES
 WITH GUMMED TAPE.

5 PILED TRAYS + LID =
 200 PIECES



THE CARDBOARD BOX (K-1)

HRS	DRAWING NO.	EDC3-176804-00	
	PART NO.	SW20-LCR-1	
	CODE NO.	CL717-5004-8-00	2/2