

THIS DRAWING IS UNPUBLISHED.

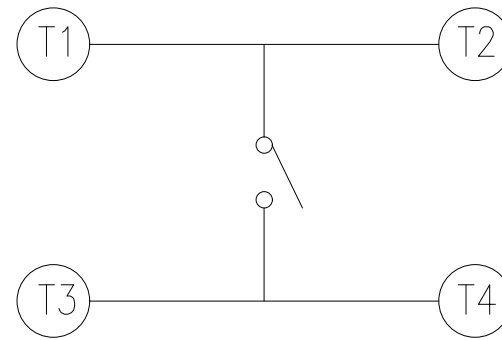
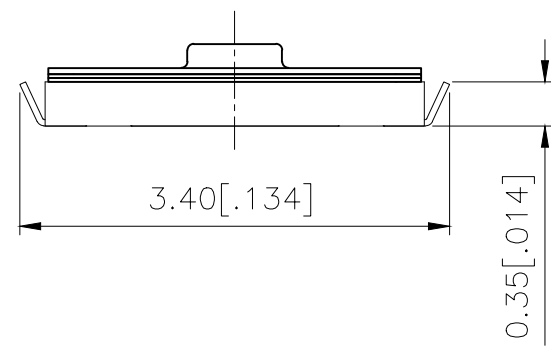
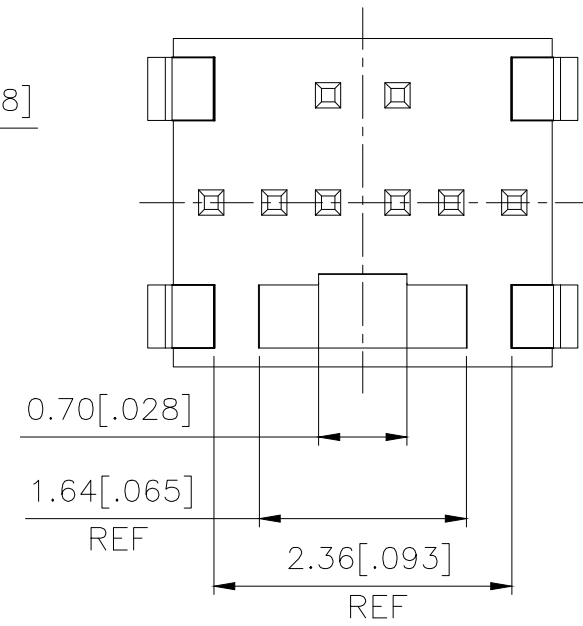
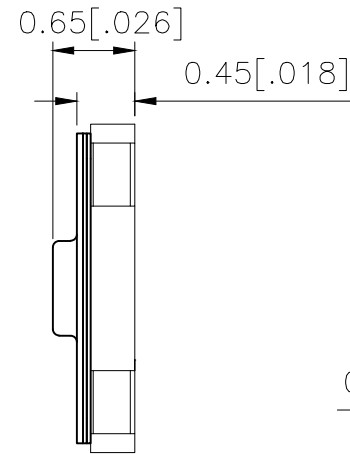
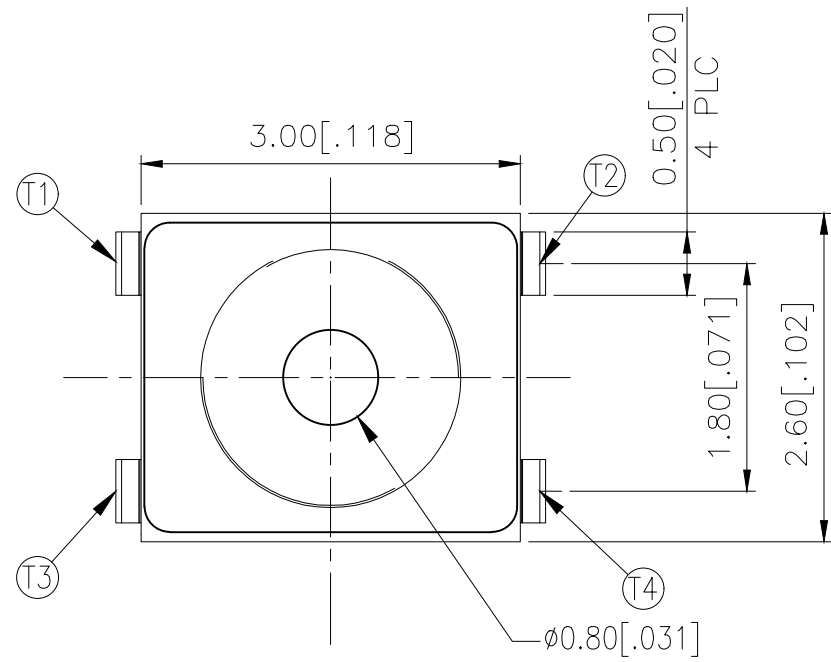
RELEASED FOR PUBLICATION

REVISIONS

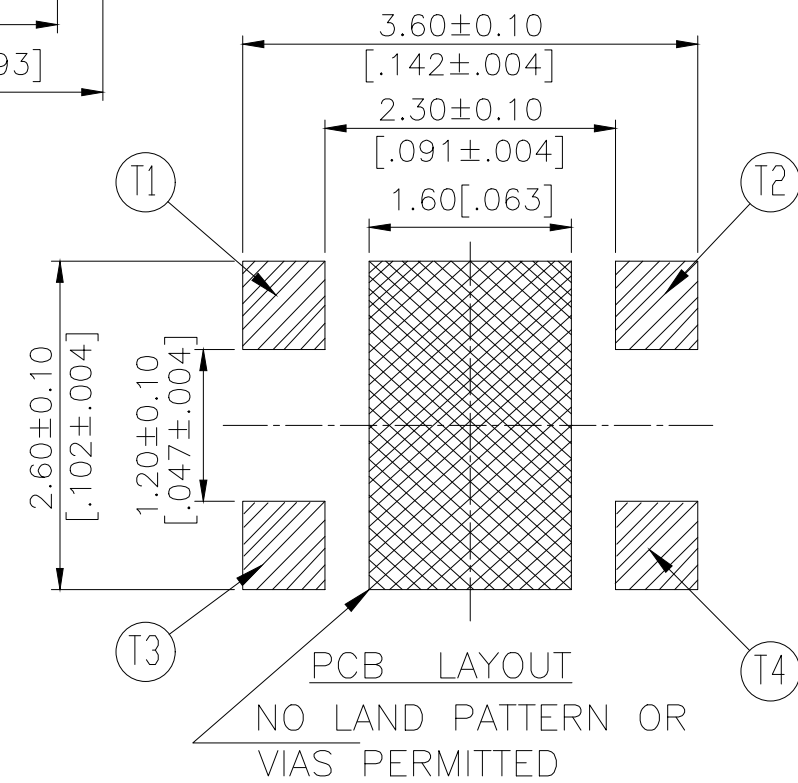
© COPYRIGHT - TE Connectivity Ltd.

ALL RIGHTS RESERVED.


P	LTR	DESCRIPTION	DATE	DWN	APVD
	B	REVISED PER ECR-19-004770	10APR2019	SR	DD



CIRCUIT DIAGRAM



160±50	USLPT3026EL2TR	2337228-2
100±50	USLPT3026EL1TR	2337228-1
ACTUATION FORCE (gf)	SMART PART NUMBER	PART NUMBER

THIS DRAWING IS A CONTROLLED DOCUMENT.		DWN GANESH C M 04JUL2018	 TE Connectivity Ltd.	
DIMENSIONS: mm [INCHES]		CHK ALEXANDER SHARPE 04JUL2018		
TOLERANCES UNLESS OTHERWISE SPECIFIED: 0 PLC ± - 1 PLC ± - 2 PLC ± 0.2 [.008] 3 PLC ± - 4 PLC ± - ANGLES ± -		APVD ALEXANDER SHARPE 04JUL2018	NAME SWITCH, TACTILE, LOW-PROFILE, ULTRA-MINI, 3.0 x 2.6 x 0.65, J BEND	
MATERIAL -		PRODUCT SPEC -	APPLICATION SPEC -	
FINISH -		WEIGHT -	SIZE A3	RESTRICTED TO -
-		CUSTOMER DRAWING	CAGE CODE 00779	DRAWING NO C-2337228
-		SCALE NTS	SHEET 1 of 3	REV B

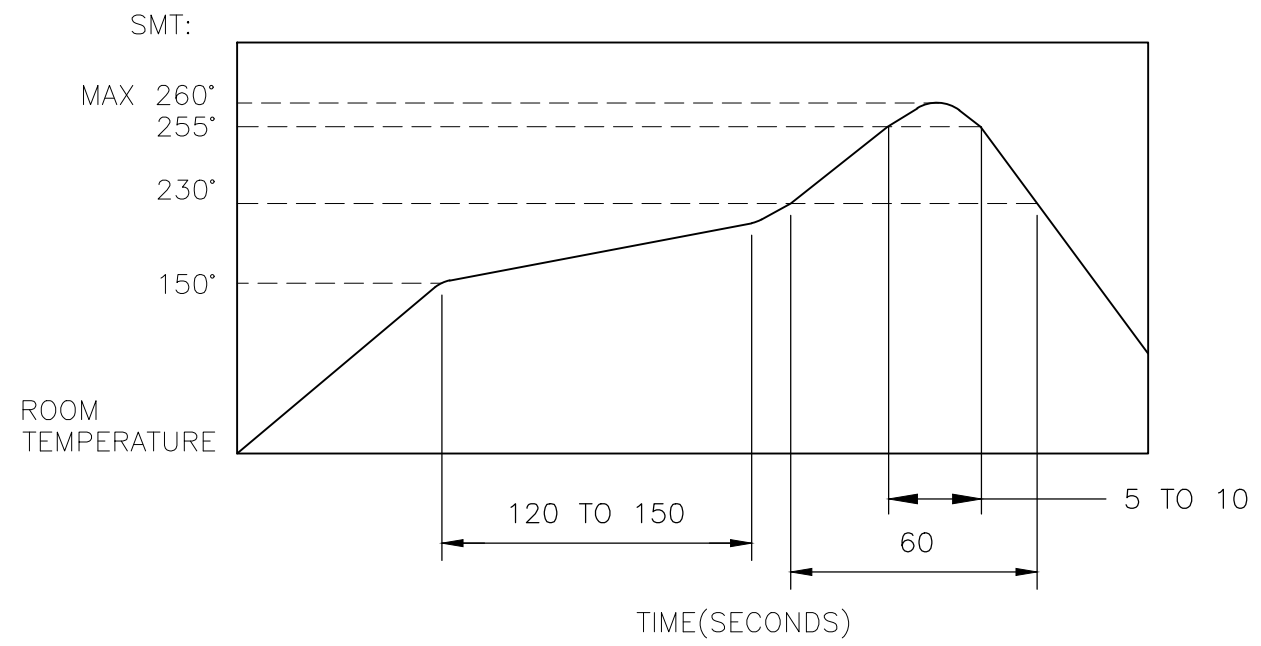
THIS DRAWING IS UNPUBLISHED. RELEASED FOR PUBLICATION
 © COPYRIGHT - TE Connectivity Ltd. ALL RIGHTS RESERVED.

REVISIONS					
P	LTR	DESCRIPTION	DATE	DWN	APVD
-	-	SEE SHEET 1	-	-	-

NOTES:

- MATERIALS:**
 TERMINAL: COPPER ALLOY, SILVER FINISH
 BASE: THERMOPLASTIC, UL 94V-0, BLACK
 TAPE: POLYIMIDE, CLEAR YELLOW
 CONTACT: STAINLESS STEEL, SILVER FINISH
 ACTUATOR: SILICONE RUBBER
- COMPLIANCE:**
 ALL MATERIALS AND FINISHES SHALL COMPLY WITH EU DIRECTIVE 2002/95/EC OF 27JAN2003(RoHS)
- SPECIFICATIONS:**
 RATING: 50 mA, 12V DC
 CONTACT RESISTANCE: 500mΩ MAXIMUM (INITIAL)
 INSULATION RESISTANCE: 50MΩ MINIMUM (INITIAL)
 DIELECTRIC STRENGTH: 250V AC, 1 MINUTE
 OPERATING LIFE: 100,000 CYCLES WITH LOAD
 TRAVEL: 0.15±0.1 [.006±.004]
 ACTUATION FORCE: 2337228-1 = 100±50gf
 2337228-2 = 160±50gf
 OPERATING TEMPERATURE: -40° TO 85°C
 STORAGE TEMPERATURE: -20° TO 60°C (WITHIN TAPE PACKAGING)

4. SOLDER CONDITIONS :



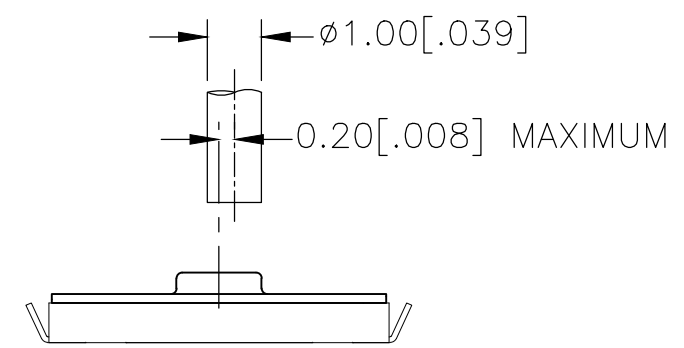
THE CONDITION NOTED ABOVE IS THE TEMPERATURE OF THE COPPER FOIL ON THE SURFACE OF THE PCB. THERE ARE CASES WHERE THE TEMPERATURE OF THE BOARD GREATLY DIFFERS FROM THE SURFACE OF THE SWITCH. DO NOT ALLOW THE SURFACE TEMPERATURE OF THE SWITCH TO EXCEED 260°C.

MANUAL SOLDERING:

SOLDERING TEMPERATURE	350°C MAXIMUM
CONTINUOUS SOLDERING TIME	5 SECONDS MAXIMUM

HANDLING PRECAUTIONS:

- CARE SHOULD BE EXERCISED SO THAT FLUX FROM THE TOP SURFACE OF THE PRINTED CIRCUIT BOARD DOES NOT ADHERE TO THE SWITCH.
- DO NOT WASH THE SWITCH.
- OPERATING PRECAUTIONS:
 - DO NOT ACTUATE THE SWITCH WITH EXCESSIVE FORCE
 - DISCONTINUE FORCE AFTER THE SWITCH HAS BEEN ACTUATED SO AS TO AVOID DEFORMATION OF THE COMPONENTS OF THE SWITCH. DEFORMATION OF THE COMPONENTS MAY CAUSE THE SWITCH TO MALFUNCTION.
 - ALIGN THE PLUNGER WITH THE SWITCH TO INSURE PROPER OPERATION



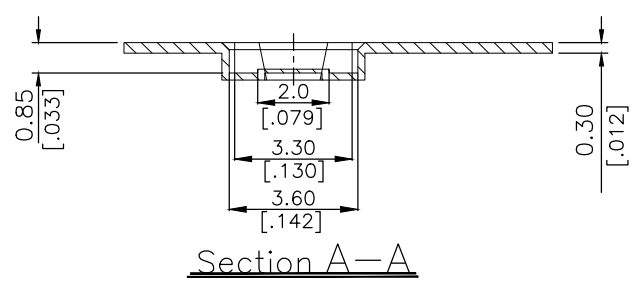
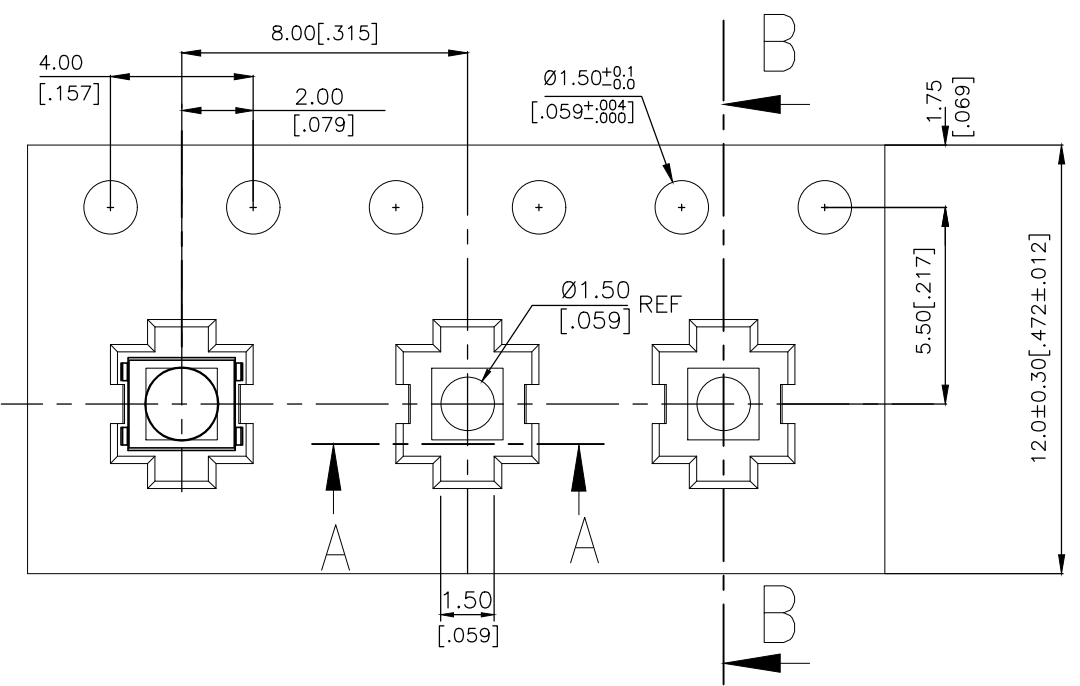
RECOMMENDED OPERATING CONDITIONS

THIS DRAWING IS A CONTROLLED DOCUMENT.		DWN GANESH C M 04JUL2018	TE Connectivity Ltd.		
DIMENSIONS: mm [INCHES]		CHK ALEXANDER SHARPE 04JUL2018			
TOLERANCES UNLESS OTHERWISE SPECIFIED:		APVD ALEXANDER SHARPE 04JUL2018	PRODUCT SPEC	SIZE A3	CAGE CODE 00779
0 PLC ± - 1 PLC ± - 2 PLC ± 0.2 [.008] 3 PLC ± - 4 PLC ± - ANGLES ± -		APPLICATION SPEC	DRAWING NO C-2337228	RESTRICTED TO	
MATERIAL -		FINISH -	WEIGHT	SCALE NTS	SHEET 2 OF 3
CUSTOMER DRAWING			REV B		

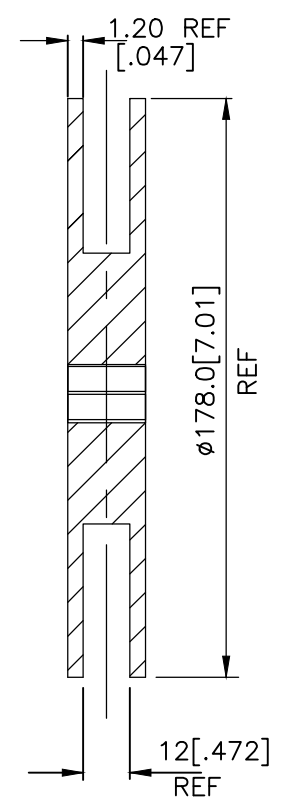
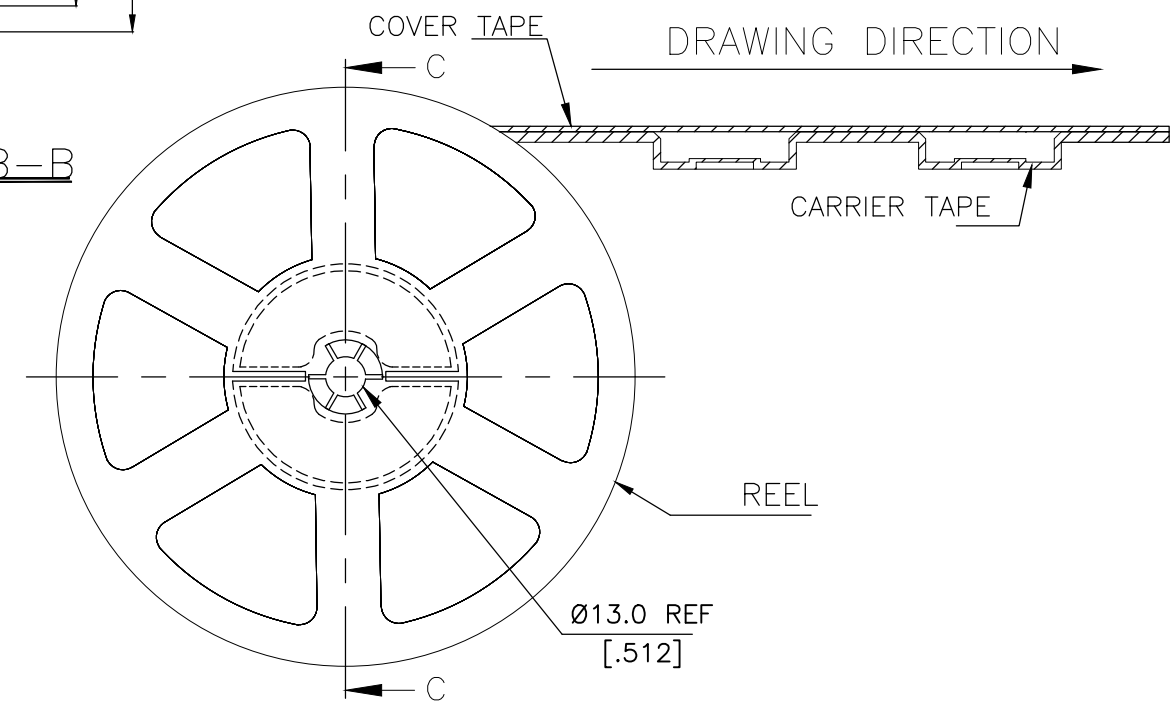
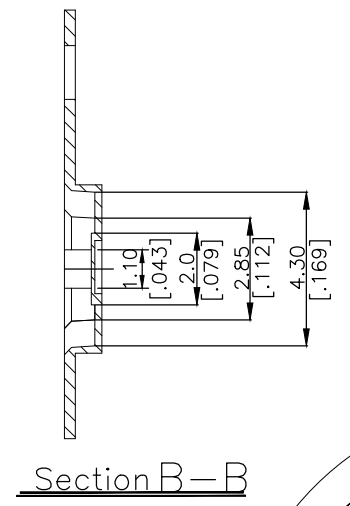
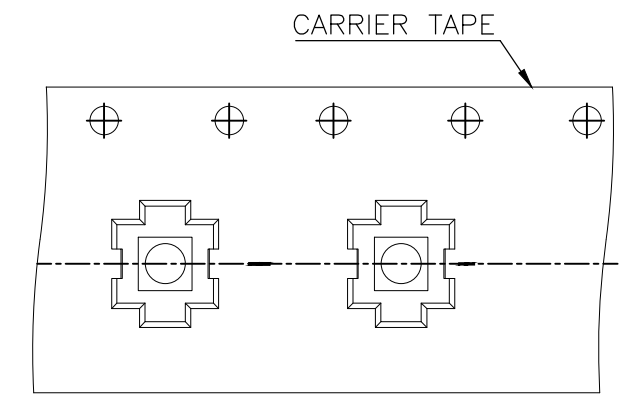
THIS DRAWING IS UNPUBLISHED. RELEASED FOR PUBLICATION
 © COPYRIGHT - TE Connectivity Ltd. ALL RIGHTS RESERVED.

REVISIONS					
P	LTR	DESCRIPTION	DATE	DWN	APVD
-	-	SEE SHEET 1	-	-	-

THE DIMENSIONS OF CARRIER TAPE AND REEL



ORIENTATION OF PILOT HOLES



6. PACKAGING:
1. THE TAPE AND REEL ARE SHOWN FOR CUSTOMER APPLICATION REFERENCE. PACKAGING NOTES 3 AND 4 ARE REQUIRED BUT NOT ILLUSTRATED.
 2. 2,500 SWITCHES PER REEL.
 3. THE REEL, DESICCANT POUCH AND HUMIDITY CARD ARE SEALED IN A MOISTURE BARRIER BAG PER THE CURRENT REVISION OF IPC/JEDEC J-STD-033, MSL 2A REQUIREMENTS.
 4. THE MOISTURE BARRIER BAG IS LABELED PER THE CURRENT REVISION OF IPC/JEDEC J-STD-033, MSL 2A REQUIREMENTS.

THIS DRAWING IS A CONTROLLED DOCUMENT.		DWN GANESH C M 04JUL2018	TE Connectivity Ltd.														
DIMENSIONS: mm [INCHES]		CHK ALEXANDER SHARPE 04JUL2018				NAME											
TOLERANCES UNLESS OTHERWISE SPECIFIED:		APVD ALEXANDER SHARPE 04JUL2018	SWITCH, TACTILE, LOW-PROFILE, ULTRA-MINI, 3.0 x 2.6 x 0.65, J BEND														
<table border="1"> <tr><td>0 PLC</td><td>± -</td></tr> <tr><td>1 PLC</td><td>± -</td></tr> <tr><td>2 PLC</td><td>± 0.2 [.008]</td></tr> <tr><td>3 PLC</td><td>± -</td></tr> <tr><td>4 PLC</td><td>± -</td></tr> <tr><td>ANGLES</td><td>± -</td></tr> </table>		0 PLC	± -	1 PLC	± -	2 PLC	± 0.2 [.008]	3 PLC	± -	4 PLC	± -	ANGLES	± -	PRODUCT SPEC	SIZE		
0 PLC	± -																
1 PLC	± -																
2 PLC	± 0.2 [.008]																
3 PLC	± -																
4 PLC	± -																
ANGLES	± -																
MATERIAL		APPLICATION SPEC	CAGE CODE	DRAWING NO	RESTRICTED TO												
FINISH		WEIGHT	A3 00779	C-2337228	-												
CUSTOMER DRAWING			SCALE NTS	SHEET 3 OF 3	REV B												