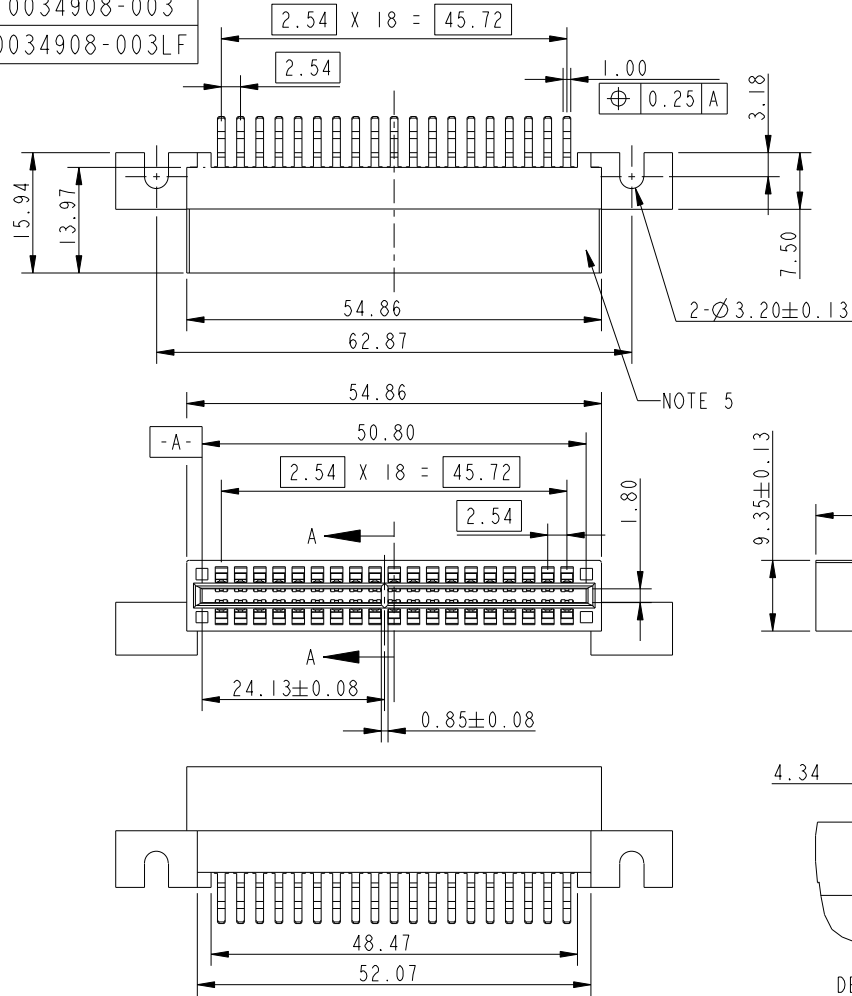


Tous droits strictement réservés. Reproduction ou communication a des tiers interdite sous quelque forme que ce soit sans autorisation écrite du propriétaire. Propriété de c.FCI. Droits de reproduction FCI.

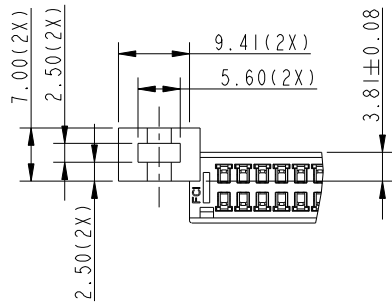
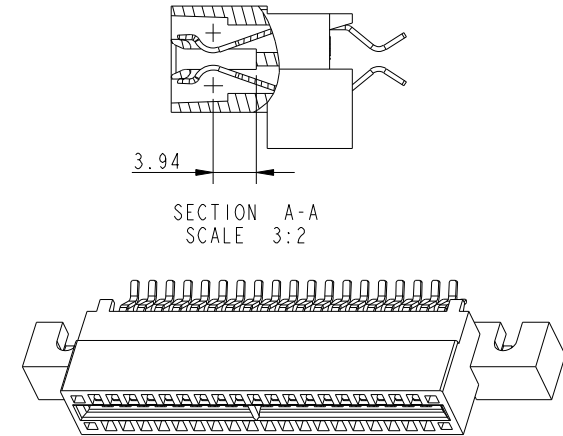
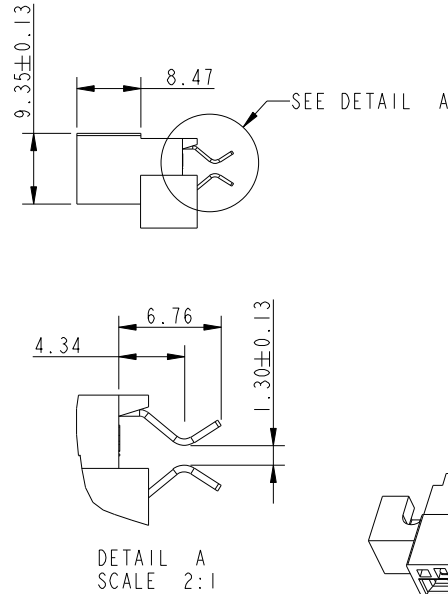
All rights strictly reserved. Reproduction or issue to third parties in any form whatever is not permitted without written authority from the proprietor. Property of FCI. Copyright FCI.



PRODUCT NUMBER  
10034908-003  
10034908-003LF



NOTE:  
1. MATERIAL  
HOUSING: HIGH TEMPERATURE THERMOPLASTIC  
UL 94 V-0 FLAME RETARDANT, BLACK.  
TERMINAL: HIGH CONDUCTIVITY COPPER ALLOY.  
PLATING: CONTACT AREA: 30u" Au OVER 50u" Ni UNDER ALL  
SOLDER TAIL: 100u" MATTE PURE TIN OVER 50u" Ni UNDER.  
2. PRODUCT SPECIFICATION: GS-12-279.  
3. PRODUCT PACKAGING SPEC: GS-14-937.  
4. PART NUMBER 10034908-003LF MEETS EUROPEAN UNION  
DIRECTIVE AND OTHER COUNTRY REGULATIONS AS DESCRIBED  
IN GS-22-008.  
THE HOUSING WILL WITHSTAND EXPOSURE TO 260°C PEAK  
TEMPERATURE FOR 10 SECONDS IN A REFLOW SOLDER APPLICATION  
WITH A CIRCUIT BOARD.  
5. MANUFACTURER'S NAME, P/N AND DATE CODE  
TO APPEAR ON THIS SURFACE AS PER GS-24-007.



mat'l code				tolerances unless otherwise specified		CUSTOMER		FCI	
lir	ecn no.	dr	date	linear	0.X ± 0.8	COPY		www.fciconnect.com	
A	DG05-0451	SW	03/15/06		0.XX ± 0.25	projection		title	
B	DG06-0306	RYAN	08/21/06		0.XXX ± 0.13	⊕		SRADDLE MOUNT TYPE	
C	DG06-0485	RYAN	11/21/06	angles	0° ± 2°	MM		POWER EDGE CARD	
D	DG06-0524	JULIA	12/26/06	dr	STEVEN WANG 11/10/05	1:1		product family	
				enr	STEVEN WANG 11/10/05	size		code	
				chr	VICTOR LIN 11/10/05	scale		213	
				appd	JOSEPH HSIA 11/10/05	A		sheet	
sheet index	revision sheet	D	D			10034908-003		1 of 2	
		1							

A

A

B

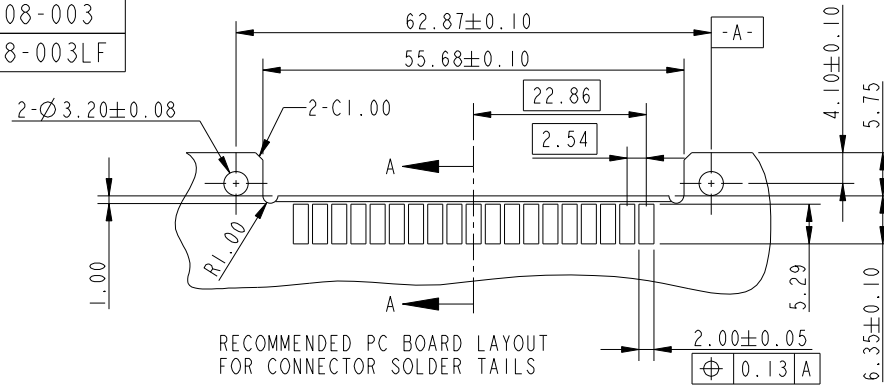
B

Tous droits strictement réservés. Reproduction ou communication a des tiers interdite sous quelque forme que ce soit sans autorisation écrite du propriétaire. Propriété de c.FCI. Droits de reproduction FCI.

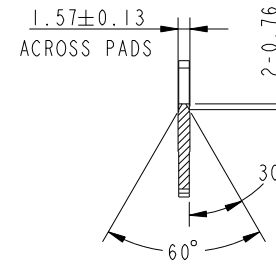


All rights strictly reserved. Reproduction or issue to third parties in any form whatever is not permitted without written authority from the proprietor. Property of FCI. Copyright FCI.

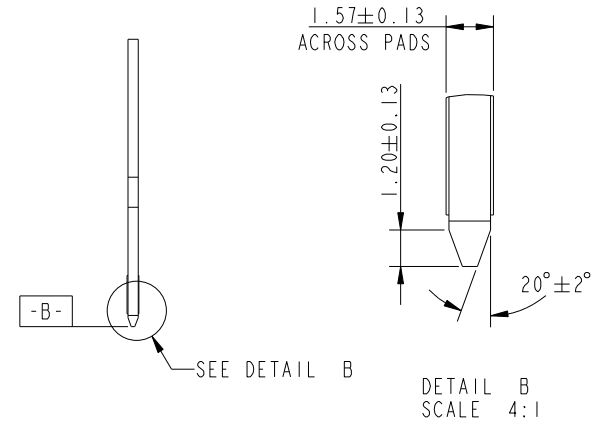
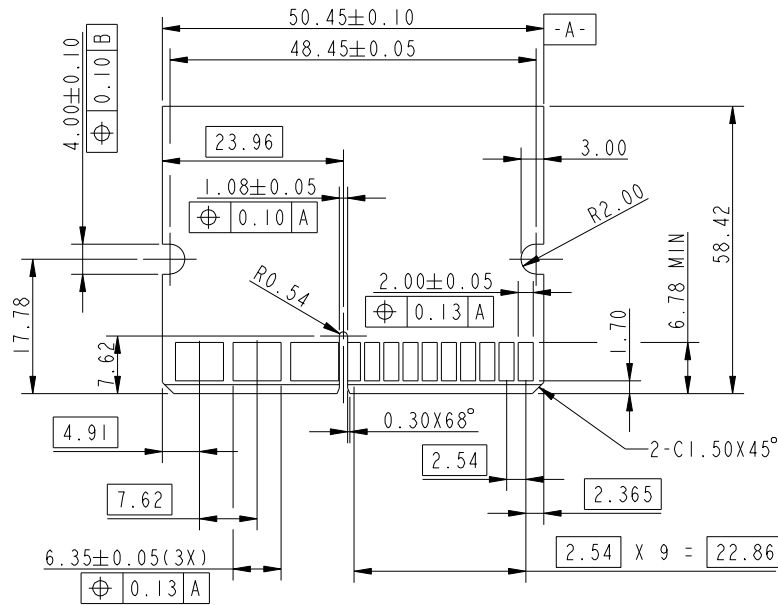
PRODUCT NUMBER
10034908-003
10038908-003LF



RECOMMENDED PC BOARD LAYOUT FOR CONNECTOR SOLDER TAILS



SECTION A-A



DETAIL B  
SCALE 4:1

RECOMMENDED MATING BOARD EDGE CONFIGURATION

mat'l code				tolerances unless otherwise specified		CUSTOMER		 www.fciconnect.com	
lir	ecn no.	dr	date	linear	0.X ±0.8	COPY		title	
D					0.XX ±0.25	projection		STRADDLE MOUNT TYPE	
				angles	0.XXX ±0.13			POWER EDGE CARD	
				dr	0° ±2°			product family	
				enr	STEVEN WANG 11/10/05	MM		POWER EDGE CARD	
				chr	STEVEN WANG 11/10/05			code	
				appd	VICTOR LIN 11/10/05	1:1		213	
					JOSEPH HSIA 11/10/05			sheet	
sheet index	revision sheet							2 of 2	
								A 10034908-003	