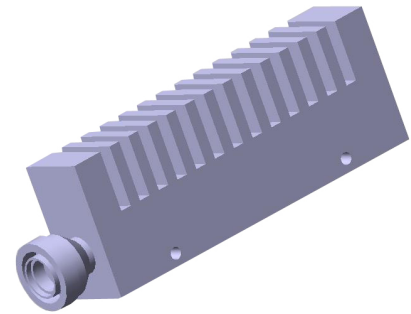


## RF TERMINATION Type 6530.41.0001

### Description

Low PIM Termination, Medium Power

PIM optimised



### Product Configuration

Connector	7/16 jack (female)
Interface standards	IEC 60169-4_CECC 22190_DIN 47223_VG 95250

### Technical Data

#### Electrical Data

Nominal Impedance	50 $\Omega$
Frequency range	0.698 to 2.7 GHz
Power rating	30 Watt average power up to 55 °C ambient temperature, linearly derated to Watt at °C ambient temperature. 5000 Watt peak power
3rd order intermodulation max.	Static -160 dBc at 2x 43 dBm / 2x 20 W carrier

#### Mechanical Data

Weight	0.66 kg
Coupling nut torque	30 Nm

#### Environmental Data

Operating temperature	-35 °C to 55 °C
2011/65/EU (RoHS - including 2015/863 and 2017/2102)	compliant

#### Material Data

Piece Part	Material	Surface Plating
Centre contact	Bronze	Tri-metal Plating
Outer contact	Brass	Tri-metal Plating
Body	Aluminium	Black
Insulator	PFA / PTFE	

### Related Documents

Outline drawing	DOU-00289420
-----------------	--------------

### Ordering Information

Single Packaging	6530.41.0001
Packaging	

### Additional Information

#### Remarks

PIM: typ. < -165 dBc  
 VSWR: typ. 1.10 : 1  
 Surface temperatur: +75 °C max. at 25 °C ambient temperatur  
 Mounting brackets included

## RF TERMINATION Type 6530.41.0001

# Mouser Electronics

Authorized Distributor

Click to View Pricing, Inventory, Delivery & Lifecycle Information:

[HUBER+SUHNER:](#)

[6530.41.0001](#)