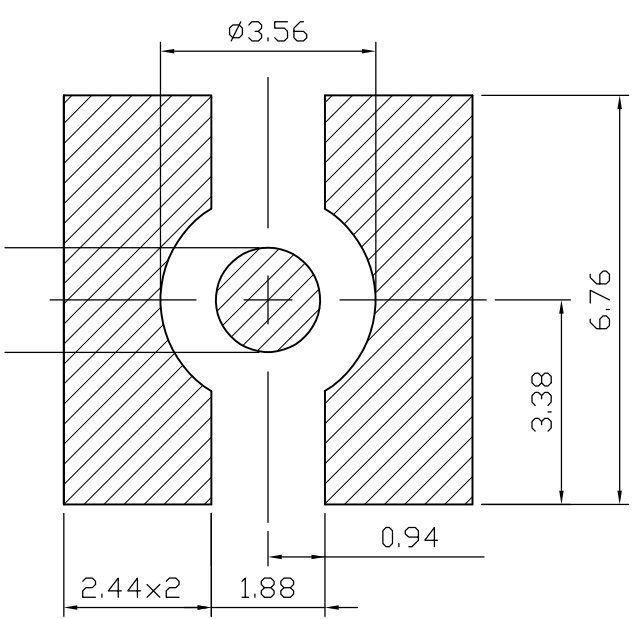
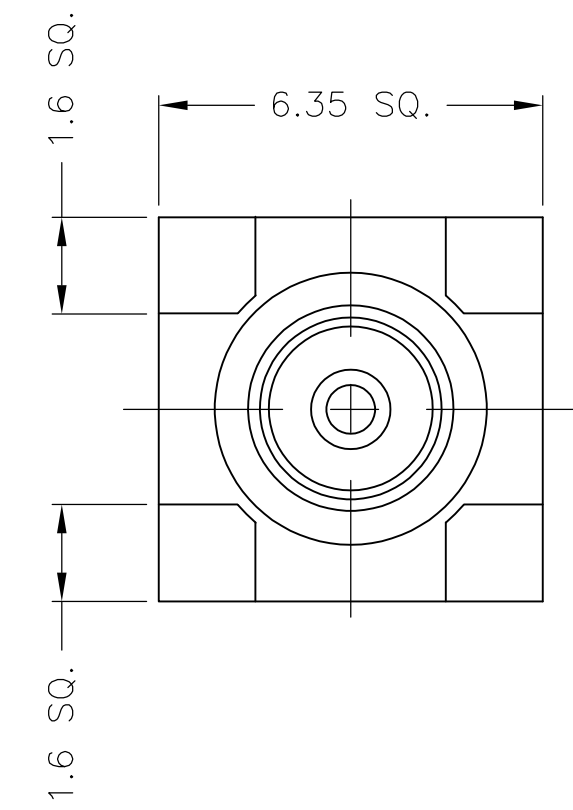
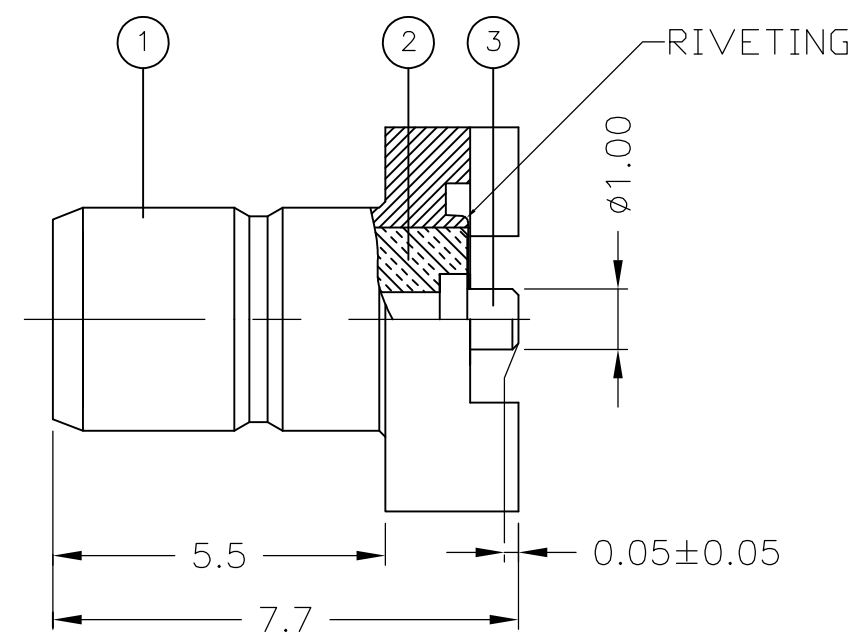


THIS DRAWING IS UNPUBLISHED. RELEASED FOR PUBLICATION FEB ,2006.
 © COPYRIGHT 2006 By - ALL RIGHTS RESERVED.

| REVISIONS | | | | | |
|-----------|-----|--------------------------|---------|-----|------|
| P | LTR | DESCRIPTION | DATE | DWN | APVD |
| | D | REVISE PER ECO-16-001732 | 07JUN16 | LN | RS |

- NOTES:**
- ① SINGLE PACKING: ONE CONNECTOR PER LABELED BAG PACKAGED. LABELED PER TEC-107-115
 - ② TRAY PACKAGED
 - ③ Au PLATING

- 4 ELECTRICAL CHARACTERISTICS**
- | | |
|-------------------------------|----------------------------|
| FREQUENCY RANGE: | DC - 4 GHz |
| NOMINAL IMPEDANCE: | 50 Ohm |
| INSULATION RESISTANCE: | 1000 MOhm |
| WORKING VOLTAGE: | 250 Volts RMS at Sea Level |
| DIELECTRIC WITHSTAND VOLTAGE: | 750 Volts RMS Max |
| CONTACT RESISTANCE: | |
| CENTRE CONTACT: | 6.00 mOhm Max |
| OUTER CONTACT: | 1.00 mOhm Max |
- 5 MECHANICAL CHARACTERISTICS**
- | | |
|-------------|----------------|
| DURABILITY: | 500 Cycles Min |
|-------------|----------------|
- 6 ENVIRONMENTAL CHARACTERISTICS**
- | | |
|------------------------|-----------------|
| OPERATING TEMPERATURE: | -65°C to +165°C |
|------------------------|-----------------|



RECOMMENDED PCB LAYOUT

| QTY | PLC | ITEM | MATERIAL | DESCRIPTION | ITEM |
|-------------------|------|------|------------|-------------|------|
| 1 | 1 | 3 | BRASS | CONTACT | 3 |
| 1 | 1 | 2 | PTFE | INSULATION | 2 |
| 1 | 1 | 1 | BRASS | BODY | 1 |
| 6--0 | 1--0 | | MATERIAL | DESCRIPTION | ITEM |
| | | | | | |
| QUANTITY PER ASSY | | | PARTS LIST | | |

| | | | | | |
|--|--|--|----------------|---|----------------------------|
| THIS DRAWING IS A CONTROLLED DOCUMENT. | | DWN | J.SANDWELL | 13FEB06 | STE TE Connectivity |
| | | CHK | S.PARLOW | 13FEB06 | |
| | | APVD | F.WHEELER-KING | 13FEB06 | |
| | | PRODUCT SPEC | | | |
| DIMENSIONS: mm | | TOLERANCES UNLESS OTHERWISE SPECIFIED: | | NAME | |
| | | 0 PLC | ± - | SMB SURFACE MOUNT STRAIGHT PCB SOCKET 50 OHM | |
| | | 1 PLC | ± 0.2 | | |
| | | 2 PLC | ± 0.1 | | |
| | | 3 PLC | ± - | | |
| | | 4 PLC | ± - | | |
| MATERIAL | | FINISH | | SIZE | |
| SEE TABLE | | - | | A3 00779 C-1337604 | |
| | | | | RESTRICTED TO | |
| | | | | - | |
| | | | | SCALE NTS SHEET 1 OF 1 REV D | |
| | | | | CUSTOMER DRAWING | |