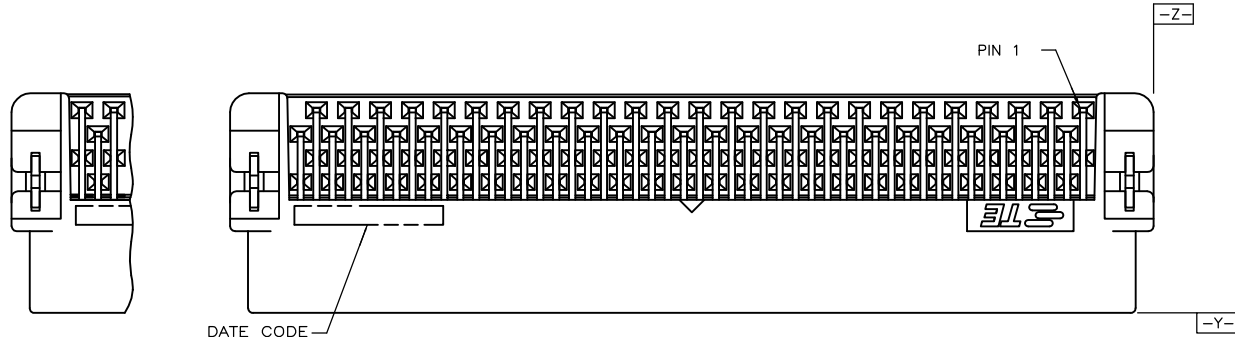
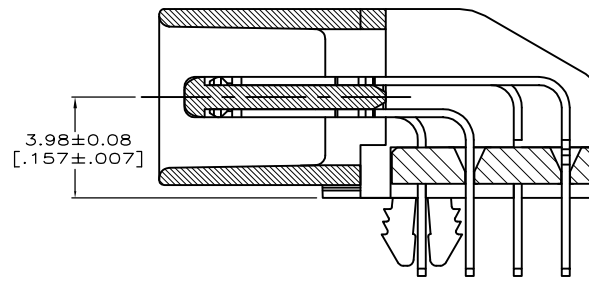


P	LTR	DESCRIPTION	DATE	DWN	APVD
H		REVISED PER ECO-17-013991	22SEP2017	RG	SH

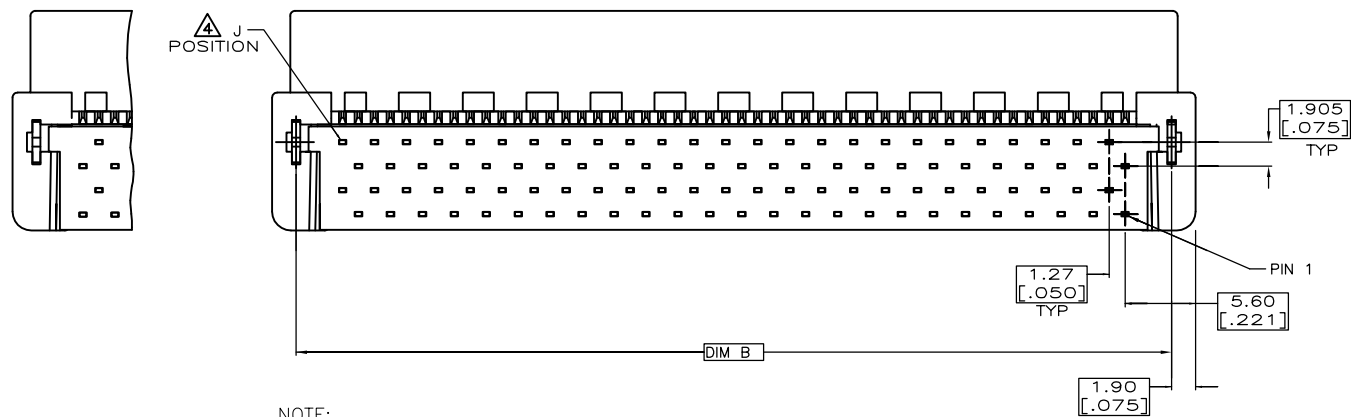
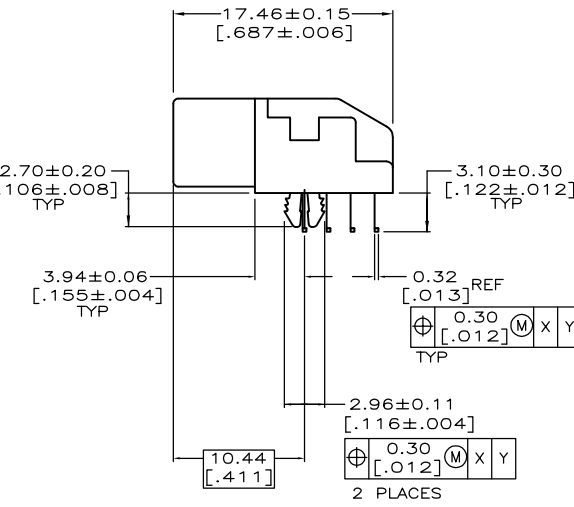
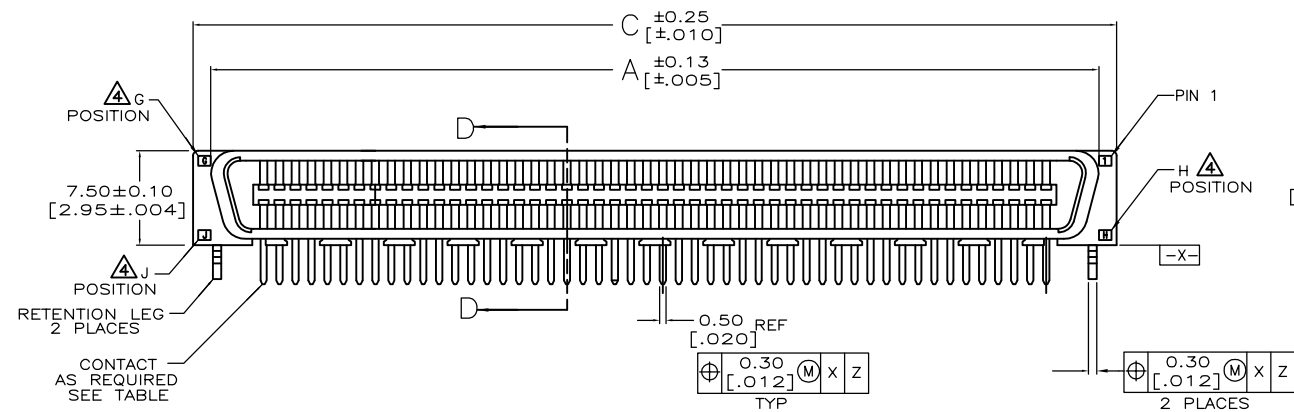


FOR 50 AND 130 POSITIONS ONLY

FOR 40, 60, 68, 80, 100, 120, 140, 160, 180 AND 200 POSITIONS ONLY



SECTION D-D  
SCALE 8:1



NOTE:  
 1. MATERIAL:  
 HOUSING: LCP, UL 94V-0, BLACK COLOR.  
 CONTACTS: BRASS.  
 BOARDLOCKS: BRASS.  
 2. FINISH:  
 CONTACTS: (SEE TABLE) GOLD PLATED ON CONTACT AREA,  
 3.81µm [150µ"] MIN. MATTE-TIN ON SOLDERTAIL, OVER  
 1.27µm [50µ"] MIN. NICKEL UNDERPLATED.  
 BOARDLOCKS: 3.81µm [150µ"] MIN. TIN-Cu OVER  
 1.27µm [50µ"] MIN. UNDERPLATED.  
 3. WAVE SOLDER CAPABLE TO 265°C PER TEST SPEC.  
 109-202, CONDITION B.  
 G, J, H INDICATE NUMBER OF POSITION MARKED ON ASSEMBLY.  
 ALSO SEE TABLE.  
 GOLD FLASH OVER  
 0.762µm [30µ"] MIN. PALLADIUM-NICKEL PLATED.

E1	OBSOLETE	DIMENSIONS (mm)			CAGE CODE	DRAWING NO	PART NUMBER	POS.
		136.93 [5.891]	133.13 [5.241]	134.07 [5.278]				
		100	200	101				200
							GOLD FLASH	5-1734099-8
							0.381µm [15µ"]	3-1734099-8
							GOLD FLASH	1-1734099-8
		111.53 [4.391]	107.73 [4.241]	108.67 [4.278]	80	160	81	160
							GOLD FLASH	5-1734099-6
							0.381µm [15µ"]	3-1734099-6
							GOLD FLASH	1-1734099-6
		98.83 [3.891]	95.03 [3.741]	95.97 [3.778]	70	140	71	140
							GOLD FLASH	5-1734099-4
							0.381µm [15µ"]	3-1734099-4
							GOLD FLASH	1-1734099-4
		86.13 [3.391]	82.33 [3.241]	83.27 [3.278]	20	120	61	120
							GOLD FLASH	5-1734099-2
							0.381µm [15µ"]	3-1734099-2
							GOLD FLASH	1-1734099-2
		73.43 [2.891]	69.63 [2.741]	70.57 [2.778]	50	100	51	100
							GOLD FLASH	5-1734099-0
							0.381µm [15µ"]	3-1734099-0
							GOLD FLASH	1-1734099-0
		60.73 [2.391]	56.93 [2.241]	57.87 [2.278]	40	80	41	80
							GOLD FLASH	4-1734099-8
							0.381µm [15µ"]	2-1734099-8
							GOLD FLASH	1734099-8
		53.11 [2.091]	49.31 [1.941]	50.25 [1.978]	34	68	35	68
							GOLD FLASH	4-1734099-7
							0.381µm [15µ"]	2-1734099-7
							GOLD FLASH	1734099-7
		48.03 [1.891]	44.23 [1.741]	45.17 [1.778]	30	60	31	60
							GOLD FLASH	4-1734099-6
							0.381µm [15µ"]	2-1734099-6
							GOLD FLASH	1734099-6
		41.68 [1.641]	37.88 [1.491]	38.82 [1.528]	25	50	26	50
							GOLD FLASH	4-1734099-5
							0.381µm [15µ"]	2-1734099-5
							GOLD FLASH	1734099-5
		35.33 [1.391]	31.53 [1.241]	32.47 [1.278]	20	40	21	40
							GOLD FLASH	4-1734099-4
							0.381µm [15µ"]	2-1734099-4
							GOLD FLASH	1734099-4
		C	B	A	G	J	H	

THIS DRAWING IS A CONTROLLED DOCUMENT.

DWN F. YANG 31MAR2009  
 CHK S. CHIEN 31MAR2009  
 APVD W. KODAMA 31MAR2009

DIMENSIONS: mm  
 TOLERANCES UNLESS OTHERWISE SPECIFIED:  
 0 PLC ± -  
 1 PLC ± 0.25  
 2 PLC ± 0.2  
 3 PLC ± -  
 4 PLC ± -  
 ANGLES ± -

MATERIAL SEE NOTE  
 FINISH SEE NOTE

PRODUCT SPEC 108-57876  
 APPLICATION SPEC

WEIGHT 0

CUSTOMER DRAWING

**STE** TE Connectivity

PLUG ASSEMBLY, R/A,  
 BTB, CHAMP .050, SERIES I

SIZE A3 CAGE CODE 00779 DRAWING NO C-1734099 RESTRICTED TO

SCALE - SHEET 1 of 5 REV H

THIS DRAWING IS UNPUBLISHED.

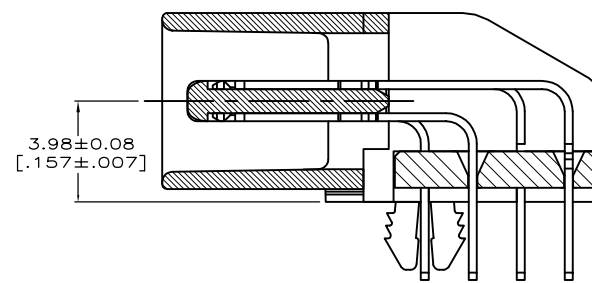
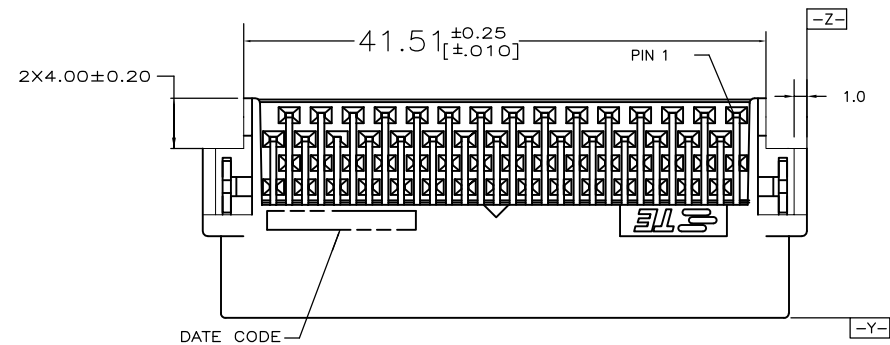
RELEASED FOR PUBLICATION

REVISIONS

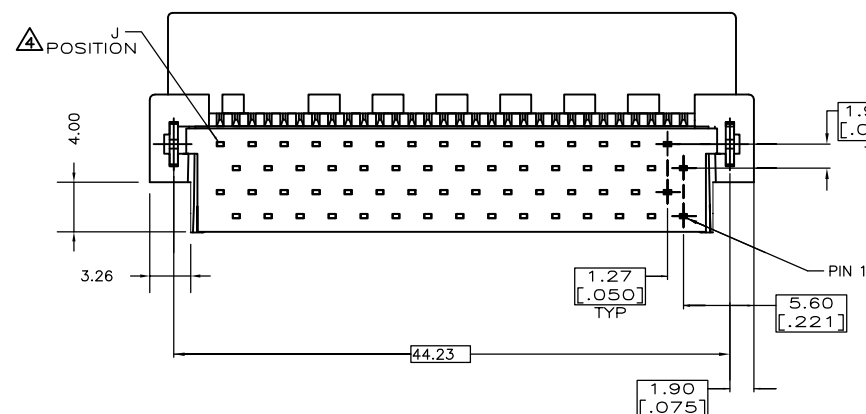
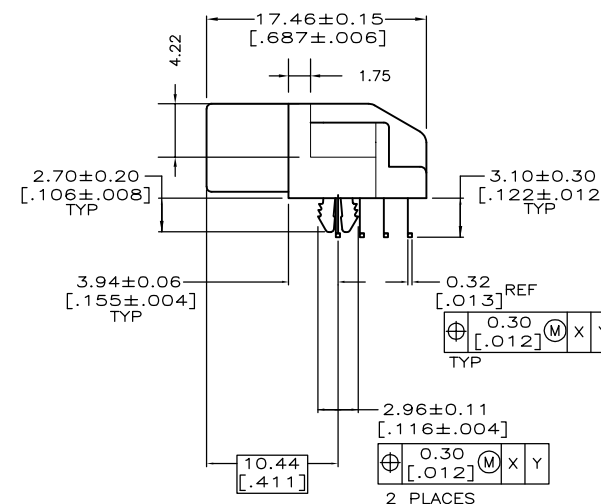
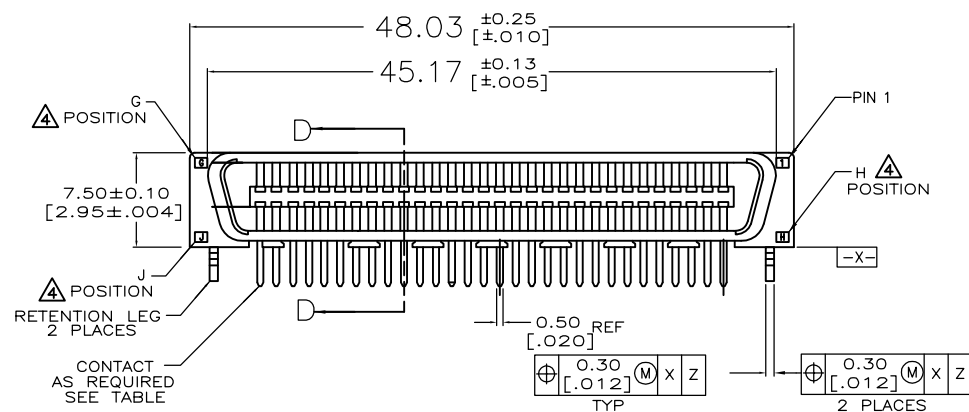
© COPYRIGHT - By -

ALL RIGHTS RESERVED.


P	LTR	DESCRIPTION	DATE	DWN	APVD
-	-	SEE SHEET 1	-	-	-



SECTION D-D  
SCALE 8:1



30	60	31	GOLD FLASH	9-1734099-6	
			0.381um[15u"]	8-1734099-6	60
			△	7-1734099-6	
GA	JA	HA	GOLD PLATED	PART NUMBER	POS.

THIS DRAWING IS A CONTROLLED DOCUMENT.		DWN F. YANG 31MAR2009	 TE Connectivity		
DIMENSIONS: mm		CHK S. CHIEN 31MAR2009			
TOLERANCES UNLESS OTHERWISE SPECIFIED:		APVD W. KODAMA 31MAR2009	NAME PLUG ASSEMBLY, R/A, BTB, CHAMP .050, SERIES I		
0 PLC ± - 1 PLC ± 0.25 2 PLC ± 0.2 3 PLC ± - 4 PLC ± - ANGLES ± -		PRODUCT SPEC 108-57876	SIZE A3	CAGE CODE 00779	DRAWING NO C-1734099
MATERIAL SEE NOTE		FINISH SEE NOTE	APPLICATION SPEC -	RESTRICTED TO -	
CUSTOMER DRAWING			SCALE -	SHEET 2 of 5	REV H

THIS DRAWING IS UNPUBLISHED.

RELEASED FOR PUBLICATION

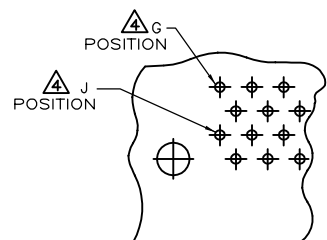
- , -

REVISIONS

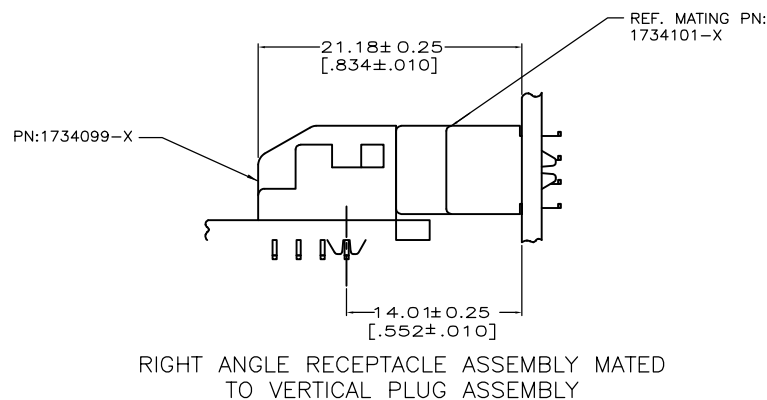
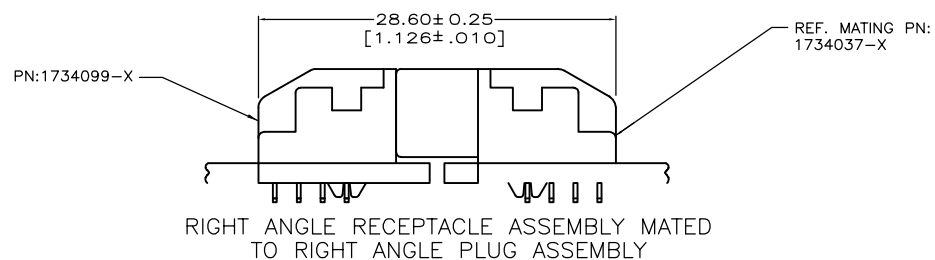
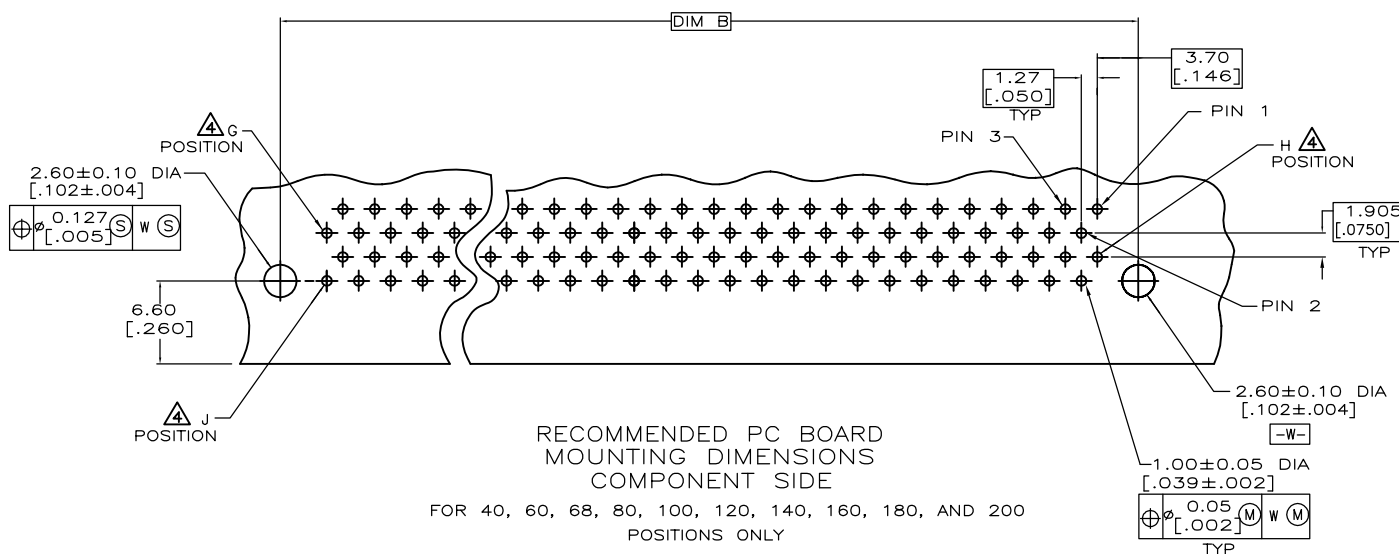
© COPYRIGHT - By -

ALL RIGHTS RESERVED.

P	LTR	DESCRIPTION	DATE	DWN	APVD
-	-	SEE SHEET 1	-	-	-



FOR 50, AND 130 POSITIONS ONLY



THIS DRAWING IS A CONTROLLED DOCUMENT.		DWN		TE Connectivity	
DIMENSIONS: mm		CHK			
TOLERANCES UNLESS OTHERWISE SPECIFIED:		APVD		NAME	
0 PLC ± - 1 PLC ± - 2 PLC ± - 3 PLC ± - 4 PLC ± - ANGLES ± -		PRODUCT SPEC		PLUG ASSEMBLY, R/A, BTB, CHAMP .050, SERIES I	
MATERIAL		FINISH		SIZE CAGE CODE DRAWING NO RESTRICTED TO	
				A3 00779 C=1734099	
		WEIGHT		SCALE SHEET 3 of 5 REV H	
		CUSTOMER DRAWING			

THIS DRAWING IS UNPUBLISHED.

RELEASED FOR PUBLICATION

© COPYRIGHT - By -

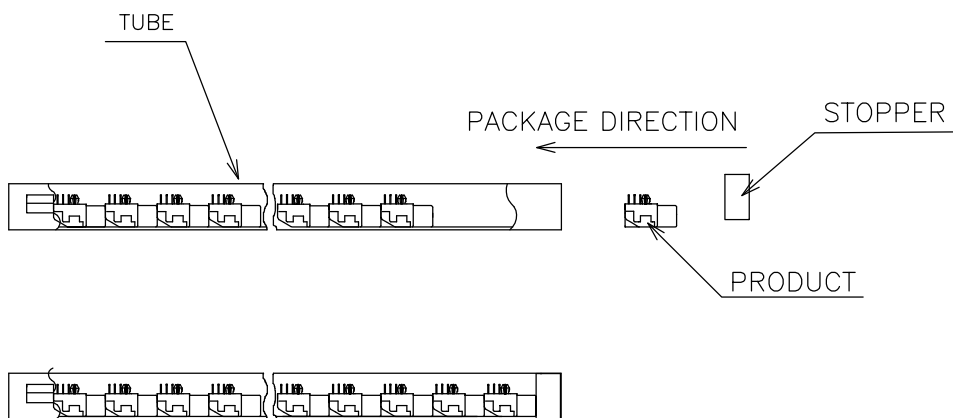
ALL RIGHTS RESERVED.

REVISIONS

P	LTR	DESCRIPTION	DATE	DWN	APVD
-	-	SEE SHEET 1	-	-	-

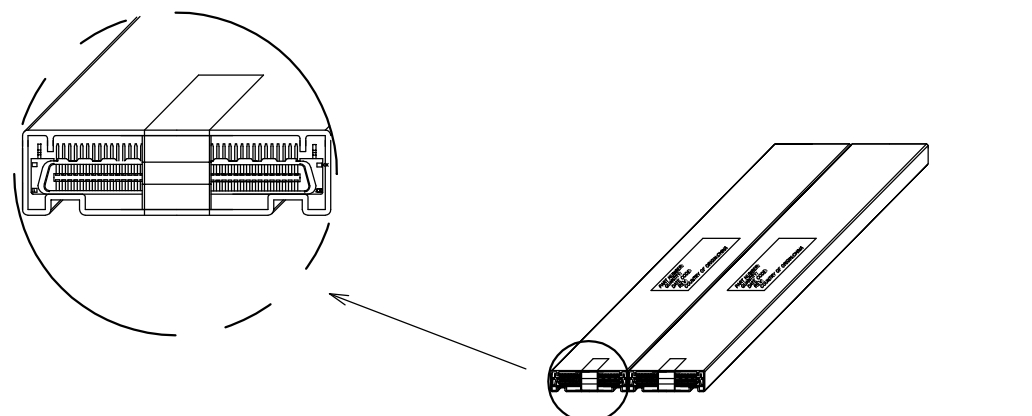
D

D



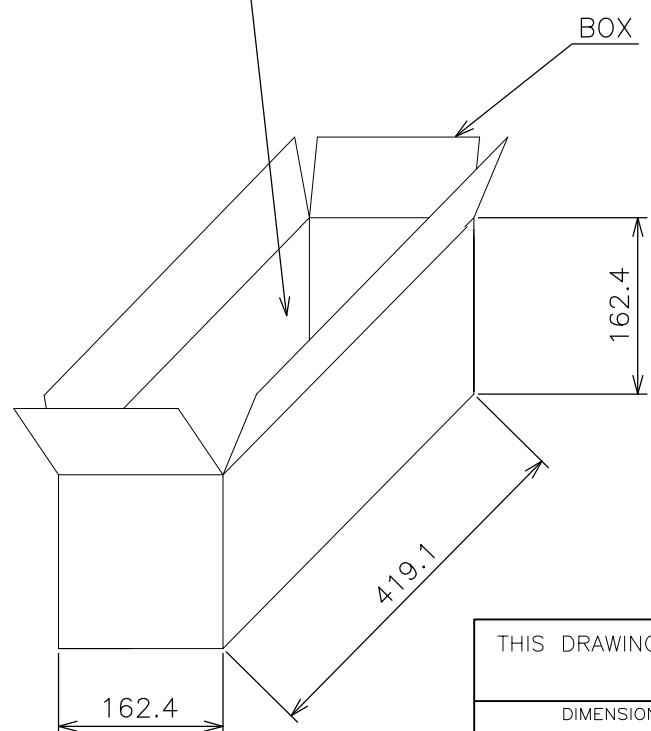
C

C



B

B



POS.	Q'TY/TUBE	TUBE/BOX	Q'TY/BOX	N/W (KG)	G/W (KG)	PART NUMBER
100	21	16	336	2.60	3.44	5-1734099-0
						3-1734099-0
						1-1734099-0
80	21	16	336	2.15	3.00	4-1734099-8
						2-1734099-8
						1734099-8

A

A

THIS DRAWING IS A CONTROLLED DOCUMENT.

DIMENSIONS: mm

TOLERANCES UNLESS OTHERWISE SPECIFIED:

0 PLC	± -
1 PLC	± -
2 PLC	± -
3 PLC	± -
4 PLC	± -
ANGLES	± -

MATERIAL: \_\_\_\_\_ FINISH: \_\_\_\_\_

STE TE Connectivity

PLUG ASSEMBLY, R/A, BTB, CHAMP .050, SERIES I

SIZE: A3 CAGE CODE: 00779 DRAWING NO: C-1734099 RESTRICTED TO: \_\_\_\_\_

CUSTOMER DRAWING SCALE: \_\_\_\_\_ SHEET: 4 of 5 REV: H

4

3

2

1

THIS DRAWING IS UNPUBLISHED.

RELEASED FOR PUBLICATION

ALL RIGHTS RESERVED.

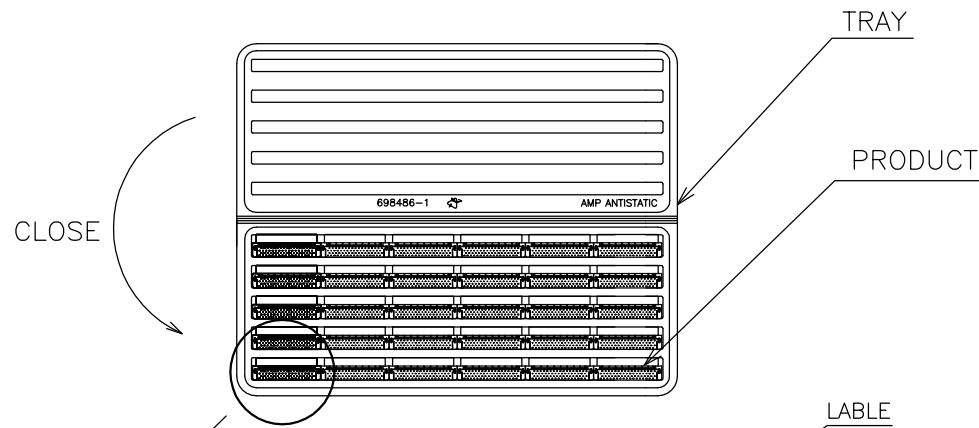
© COPYRIGHT - By -

REVISIONS

P	LTR	DESCRIPTION	DATE	DWN	APVD
-	-	SEE SHEET 1	-	-	-

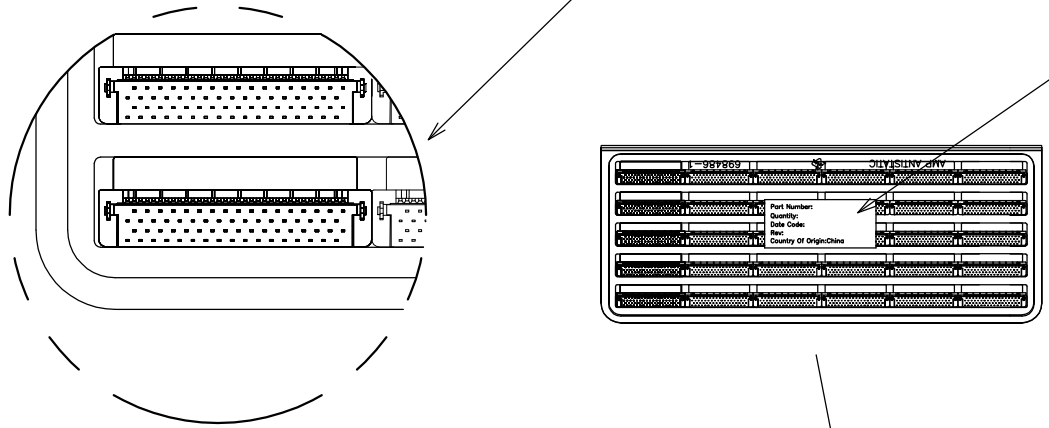
D

D



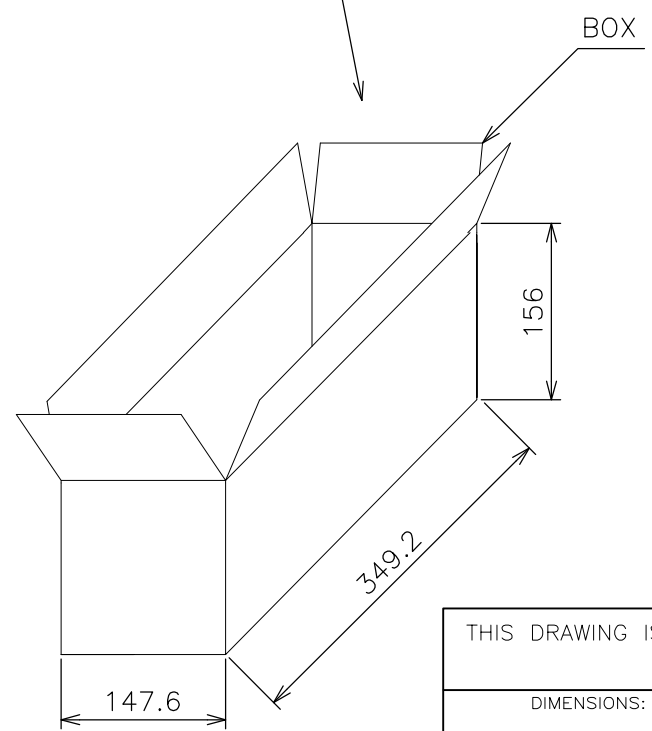
C

C



B

B



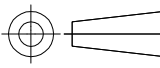
A

A

POS.	Q'TY/ TRAY	TRAY/ BOX	Q'TY/ BOX	N/W (KG)	G/W (KG)	PART NUMBER	
E1	OBSOLETE	10	10	100	1.40	2.35	5-1734099-8
							3-1734099-8
							1-1734099-8
	200	10	10	100	1.18	2.13	5-1734099-6
							3-1734099-6
							1-1734099-6
E1	OBSOLETE	15	10	150	1.59	2.46	5-1734099-4
							3-1734099-4
							1-1734099-4
	120	15	10	150	1.20	2.15	5-1734099-2
							3-1734099-2
							1-1734099-2
	68	30	10	300	1.69	2.64	4-1734099-7
							2-1734099-7
							1734099-7
	60	30	10	300	1.53	2.48	4-1734099-6
							2-1734099-6
							1734099-6
	50	35	10	350	1.58	2.56	4-1734099-5
							2-1734099-5
							1734099-5
	40	45	10	450	1.71	2.66	4-1734099-4
							2-1734099-4
							1734099-4

THIS DRAWING IS A CONTROLLED DOCUMENT.

DIMENSIONS: mm TOLERANCES UNLESS OTHERWISE SPECIFIED.



MATERIAL FINISH

0 PLC	± -
1 PLC	± -
2 PLC	± -
3 PLC	± -
4 PLC	± -
ANGLES	± -

DWN	-
CHK	-
APVD	-
PRODUCT SPEC	-
APPLICATION SPEC	-
WEIGHT	-



NAME PLUG ASSEMBLY, R/A, BTB, CHAMP .050, SERIES I

SIZE	CAGE CODE	DRAWING NO	RESTRICTED TO
A3	00779	C=1734099	-

CUSTOMER DRAWING SCALE - SHEET 5 of 5 REV H