

# 3.0V 10F ULTRACAPACITOR CELL

BCAP0010 P300 X11 / X12

## Advanced Small Cell with XP™ Technology



Maxwell Technologies' 3V 10F ultracapacitor cell is part of Maxwell's latest full-featured 3.0V product platform designed to provide energy storage in support of the latest trends in renewable energy, smart grid, and IoT. Designed from the ground up, Maxwell developed the 3V small cell products to be high energy, high power solutions that also incorporate the XP™ technology offering enhanced performance under adverse environmental conditions. Whether used alone, integrated into a module assembly, or in a hybrid configuration, Maxwell's 3V products will help reduce the overall cost and size of the system while improving return on investments for the customer.

Ultracapacitors are the technology of choice for high energy and high power applications because of their longer operating lifetime, low maintenance requirements, and superior cold weather performance when compared to batteries.

### FEATURES AND BENEFITS

- Enhanced performance under adverse environmental conditions
- Updated Bill of Materials compared to earlier 2.7V XP products resulting in improved performance at higher voltage
- Long lifetimes with up to 1,000,000 duty cycles\*
- Straight and Bent Lead versions available
- Compliant with UL, RoHS and REACH requirements

### TYPICAL APPLICATIONS

- Actuators
- Emergency Lighting
- Telematics / IoT
- Automotive
- Security Equipment
- Backup and UPS Systems
- Advanced Metering

### ORDERING INFORMATION

Model Number	Part Number	Package Quantity (MOQ)
BCAP0010 P300 X11	134998	3,000
BCAP0010 P300 X12	134999	2,520

\*Results may vary. Additional terms and conditions, including the limited warranty, apply at the time of purchase. See the warranty details for applicable operating and use requirements.

## PRODUCT SPECIFICATIONS & CHARACTERISTICS

Values are referenced at  $T_A$  = room temperature and  $V_R$  = 3.0V rated voltage (unless otherwise noted). Min and Max values indicate product specifications. Typical results will vary and are provided for reference only. Additional terms and conditions, including the limited warranty, apply at the time of purchase. See the warranty details for applicable operating and use requirements.

Symbol	Parameter	Conditions	Min	Typical	Max	Unit
<b>ELECTRICAL</b>						
$V_R$	Rated Voltage		–	–	3.0	V
$V_{SURGE}$	Surge Voltage	Note 1	–	–	3.15	V
$C_R$	Rated Capacitance	BOL, Note 2,8	9.0	10.0	12.0	F
$R_S$	Equivalent Series Resistance ( $ESR_{DC}$ )	BOL, Note 2,8	–	20	25	m $\Omega$
$I_{LEAK}$	Leakage Current	Note 3,8	–	–	25	$\mu$ A
$I_{PEAK}$	Peak Current	BOL, Note 4,8	–	–	12	A
$I_{MAX}$	Continuous Current	BOL, Note 7,8 - $\Delta T = 15^\circ\text{C}$ - $\Delta T = 40^\circ\text{C}$	– –	– –	3.4 5.5	$A_{RMS}$
<b>LIFE</b>						
$t_{65C}$	High Temperature Life	$V_R = 3V$ and $T_A = 65^\circ\text{C}$ , EOL, Note 8 - Capacitance change $\Delta C$ from min $C_R$ - Resistance change $\Delta R$ from max $R_S$	– – –	2,000 -20 +100	– – –	hours % %
$t_{85C}$	De-rated Voltage & Higher Temperature Life	$V_R = 2.7V$ and $T_A = 85^\circ\text{C}$ , EOL, Note 8 - Capacitance change $\Delta C$ from min $C_R$ - Resistance change $\Delta R$ from max $R_S$	– – –	1,500 -20 +100	– – –	hours % %
$t_{25C}$	Projected Life Time	$V_R = 3V$ and $T_A = 25^\circ\text{C}$ , EOL, Note 8 - Capacitance change $\Delta C$ from min $C_R$ - Resistance change $\Delta R$ from max $R_S$	– – –	10 -20 +100	– – –	years % %
$n_{CYCLE}$	Projected Cycle Life	$T_A = 25^\circ\text{C}$ , EOL, Note 6,8 - Capacitance change $\Delta C$ from min $C_R$ - Resistance change $\Delta R$ from max $R_S$	– – –	1,000,000 -20 +100	– – –	cycles % %
$h_{LIFE}$	Biased Humidity Life	$V_R = 3V$ , $T_A = 60^\circ\text{C}$ , and $RH = 90\%$	–	4,000	–	hours
$t_{SHELF}$	Shelf Life	Stored uncharged, $T_A = 25^\circ\text{C}$ and $RH \leq 50\%$	–	4	–	years

## PRODUCT SPECIFICATIONS & CHARACTERISTICS

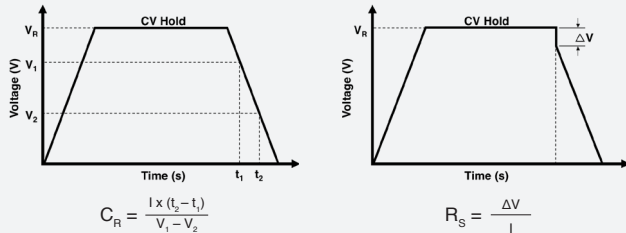
Values are referenced at  $T_A$  = room temperature and  $V_R$  = 3.0V rated voltage (unless otherwise noted). Min and Max values indicate product specifications. Typical results will vary and are provided for reference only. Additional terms and conditions, including the limited warranty, apply at the time of purchase. See the warranty details for applicable operating and use requirements.

Symbol	Parameter	Conditions	Min	Typical	Max	Unit
<b>POWER &amp; ENERGY</b>						
$P_d$	Usable Specific Power	BOL, Note 5,8	–	13.9	–	kW/kg
$P_{MAX}$	Impedance Match Specific Power	BOL, Note 5,8	–	29.0	–	kW/kg
$E_d$	Gravimetric Specific Energy	BOL, Note 5,8	–	4.0	–	Wh/kg
$E_{MAX}$	Stored Energy	BOL, Note 5,8,9	–	12.5	–	mWh
<b>TEMPERATURE</b>						
$T_A$	Operating Temperature	Cell case temperature	-40	25	65	°C
$R_{th}$	Thermal Resistance	Case to ambient, Note 7	–	52	–	°C/W
$C_{th}$	Thermal Capacitance		–	3.3	–	J/°C
<b>PHYSICAL</b>						
m	Mass		–	3.1	–	g
–	Vibration – Sine Wave		IEC 60068-2-6			–
–	Shock		IEC 60068-2-27			–
<b>SAFETY</b>						
–	Certifications		UL810A, RoHS, REACH			

## NOTES

1. Surge Voltage  
Absolute maximum voltage, non-repetitive. The duration must not exceed 1 second.

2. Rated Capacitance & ESR<sub>DC</sub> (Measurement Method)
  - Capacitance: Constant current charge (10mA/F) to V<sub>R</sub>, 5 min hold at V<sub>R</sub>, constant current discharge (10mA/F) to 0.1V.
  - ESR<sub>DC</sub>: Constant current charge (10mA/F) to V<sub>R</sub>, 5 min hold at V<sub>R</sub>, constant current discharge (40 \* C<sub>R</sub> \* V<sub>R</sub> [mA]) to 0.1V.



where C<sub>R</sub> is the capacitance (F);  
I is the absolute value of the discharge current (A);  
V<sub>R</sub> is the rated voltage (V);  
V<sub>1</sub> is the measurement starting voltage, 0.8 X V<sub>R</sub> (V);  
V<sub>2</sub> is the measurement end voltage, 0.4 X V<sub>R</sub> (V);  
t<sub>1</sub> is the time from discharge start to reach V<sub>1</sub> (s);  
t<sub>2</sub> is the time from discharge start to reach V<sub>2</sub> (s);  
R<sub>S</sub> is the DC equivalent series resistance (Ω);  
ΔV is the voltage drop during first 10ms of discharge (V).

3. Leakage Current (Measurement Method)
  - Current measured after 72 hours of constant voltage hold at V<sub>R</sub> and 25°C. Initial leakage current can be higher.
  - If applicable, module leakage current is the sum of cell leakage current and bypass current created by balancing circuit.

4. Peak Current
  - Current needed to discharge cell or module from V<sub>R</sub> to 1/2V<sub>R</sub> in 1 second.

$$I_{PEAK} = \frac{\frac{1}{2}V_R}{\Delta t / C_R + R_S}$$

where I<sub>PEAK</sub> is the maximum peak current (A);  
V<sub>R</sub> is the rated voltage (V);  
Δt is the discharge time (sec); Δt = 1 sec in this case;  
C<sub>R</sub> is the rated BOL capacitance (F);  
R<sub>S</sub> is the maximum BOL ESR<sub>DC</sub> (Ω).

- The stated peak current should not be used in normal operation and is provided as a reference value only.

5. Energy & Power (Based on IEC 62576)

- Usable Specific Power, P<sub>d</sub> (W/kg) =  $\frac{0.12V_R^2}{R_S \times m}$
- Impedance Match Specific Power, P<sub>MAX</sub> (W/kg) =  $\frac{0.25V_R^2}{R_S \times m}$
- Gravimetric Specific Energy, E<sub>d</sub> (Wh/kg) =  $\frac{E_{MAX}}{m}$
- Stored Energy, E<sub>MAX</sub> (Wh) =  $\frac{\frac{1}{2}C_R \times V_R^2}{3.600}$

where V<sub>R</sub> is the rated voltage (V);  
R<sub>S</sub> is the maximum BOL ESR<sub>DC</sub> (Ω);  
m is the typical mass (kg);  
C<sub>R</sub> is the rated BOL capacitance (F).

6. Projected Cycle Life
  - Constant current charge-discharge cycle from V<sub>R</sub> to 1/2V<sub>R</sub> at 25°C.
  - Cycle life is dependent upon application-specific characteristics. Actual results will vary.

7. Continuous Current & Thermal Resistance
  - Maximum current which can be used continuously within the allowed temperature range.

$$I_{MAX} = \sqrt{\frac{\Delta T}{R_{th} \times R_S}}$$

where I<sub>MAX</sub> is the maximum continuous current (A);  
ΔT is the change in temperature (°C);  
R<sub>th</sub> is the typical thermal resistance (°C/W);  
R<sub>S</sub> is the maximum BOL ESR<sub>DC</sub> (Ω).

8. BOL & EOL Conditions
  - BOL (Beginning of Life): Rated/Initial product performance
  - EOL (End of Life):
    - Capacitance: 80% of min. BOL rating (0.8 x min. C<sub>R</sub>)
    - ESR<sub>DC</sub>: 200% of max. BOL rating (2 x max. R<sub>S</sub>)

9. Transportation Regulation
  - Per United Nations material classification UN3499, all Maxwell ultracapacitor cells have less than 10Wh stored energy to meet the requirements of Special Provisions 361. Both individual ultracapacitors and modules composed of ultracapacitors shipped by Maxwell can be transported without being treated as dangerous goods (hazardous materials) under transportation regulations.

## DETAILED PRODUCT DESCRIPTION

### Introduction

The BCAP0010 P300 X11 / X12 energy storage cell is a robust ultracapacitor solution in a leaded cylindrical style can. The 3.0V 10F cell design uses Maxwell's proprietary XP™ high heat and humidity environmental technology to provide maximum life under adverse conditions.

### Technology Overview

Ultracapacitor, also known as supercapacitor or electric double layer capacitor (EDLC), delivers energy at relatively high rates (beyond those accessible with batteries). Ultracapacitors store charge electrostatically (non-Faradaic) by reversible adsorption of the electrolyte onto electrochemically stable high surface area carbon electrodes. Charge separation occurs on polarization at the electrode/electrolyte interface, producing a double layer. This mechanism is highly reversible, allowing the ultracapacitor to be charged and discharged hundreds of thousands of times.\*

### Ultracapacitor Construction

An ultracapacitor is constructed with symmetric carbon positive and negative electrodes separated by an insulating ion-permeable separator and packaged into a container filled with organic electrolyte (salt/solvent) designed to maximize ionic conductivity and electrode wetting. It is the combination of high surface-area activated carbon electrodes (typically >1500m<sup>2</sup>/g) with extremely small charge separation (Angstroms) that results in high capacitance.

\*Results may vary. Additional terms and conditions, including the limited warranty, apply at the time of purchase. See the warranty details for applicable operating and use requirements.

### Ultracapacitor Energy = ½ CV<sup>2</sup>

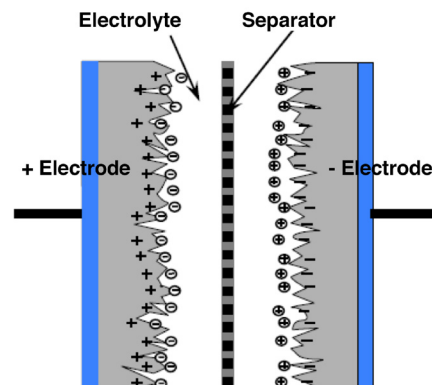
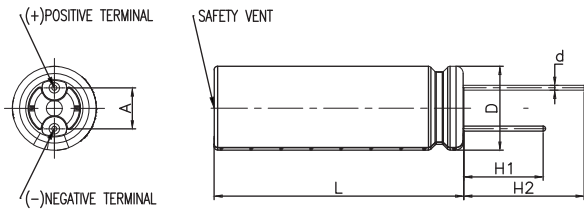


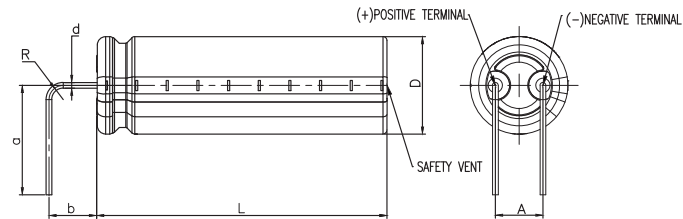
Figure 1: Ultracapacitor Structure Diagram

## MECHANICAL DRAWINGS

BCAP0010 P300 X11



BCAP0010 P300 X12



DIMENSION (Tolerance)	L (±1.0)	D (+0.5)	d (±0.05)	A (±0.5)	H1 (min)	H2 (min)	R (min)	a (±0.5)	b (±0.5)	UNIT
BCAP0010 P300 X11	30.5	10.0	0.60	5.0	15.0	19.0				mm
BCAP0010 P300 X12	30.5	10.0	0.60	5.0			1.5	11.5	5.5	mm

Products and related processes may be covered by one or more U.S. or international patents and pending applications. Please see [www.maxwell.com/patents](http://www.maxwell.com/patents) for more information. Product dimensions are for reference only unless otherwise identified. Maxwell Technologies reserves the right to make changes without further notice to any products herein. "Typical" parameters which may be provided in Maxwell Technologies datasheets and/or specifications can and do vary in different applications and actual performance may vary over time. All operating parameters, including "Typicals" must be validated for each customer application by customer's technical experts. Please contact Maxwell Technologies directly for any technical specifications critical to application.

**Maxwell Technologies, Inc.**  
**Global Headquarters**  
 3888 Calle Fortunada  
 San Diego, CA 92123  
 USA  
 Tel: +1 (858) 503-3300  
 Fax: +1 (858) 503-3301

**Maxwell Technologies, GmbH**  
 Leopoldstrasse 244  
 80807 Munich  
 Germany  
 Tel: +49 (0)89 4161403 0  
 Fax: +49 (0)89 4161403 99

**Maxwell Technologies  
 Shanghai Trading Co., Ltd.**  
 Room 1005, 1006, and 1007  
 No. 1898, Gonghexin Road,  
 Jin An District, Shanghai 2000072,  
 P.R. China  
 Tel: +86 21 3852 4000  
 Fax: +82 21 3852 4099

**Maxwell Technologies  
 Korea Co., Ltd.**  
 17, Dongtangiheung-ro  
 681 Beon-gil, Giheung-gu,  
 Yongin-si, Gyeonggi-do 17102  
 Republic of Korea  
 Tel: +82 31 289 0721  
 Fax: +82 31 286 6767

MAXWELL TECHNOLOGIES, MAXWELL, MAXWELL CERTIFIED INTEGRATOR, ENABLING ENERGY'S FUTURE, DURABLU, NESSCAP, XP, BOOSTCAP, D CELL and their respective designs and/or logos are either trademarks or registered trademarks of Maxwell Technologies, Inc., and/or its affiliates, and may not be copied, imitated or used, in whole or in part, without the prior written permission Maxwell Technologies, Inc. All contents copyright © 2019 Maxwell Technologies, Inc. All rights reserved. No portion of these materials may be reproduced in any form, or by any means, without prior written permission from Maxwell Technologies, Inc.