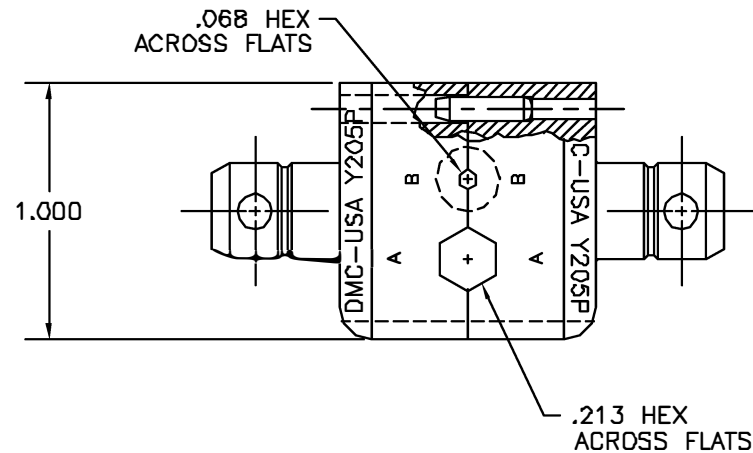
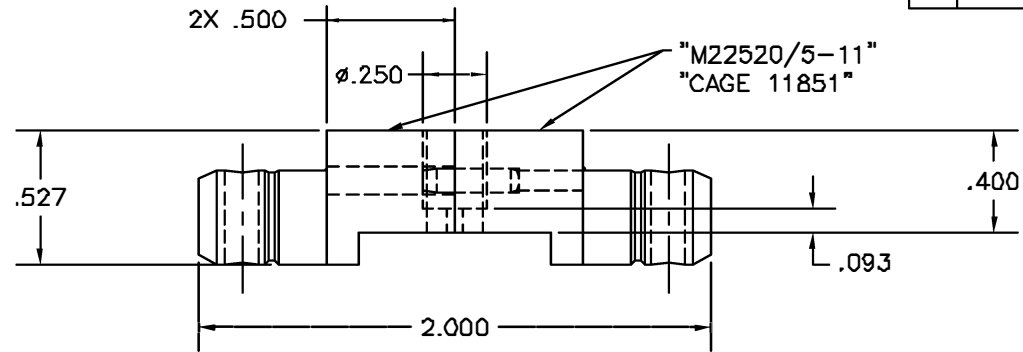


| REVISIONS | | | | |
|-----------|---------------|------------------|---------------|----------------|
| REV. SYM. | E.C.O. NUMBER | DESCRIPTION | BY DATE | APP'D DATE |
| 1 | | ORIGINAL RELEASE | KS 2/25/87 | MGS 2/27/87 |



**UNCONTROLLED DOCUMENT
WILL NOT BE UPDATED**

| RESTRICTED & CONFIDENTIAL | | MATERIAL | ITEM | PART NO. | QTY. | DESCRIPTION/REMARKS | |
|---|--|------------|------------|-----------|-----------|---|----|
| CONFIDENTIAL PROPERTY OF DANIELS MANUFACTURING CORP. NOT TO BE DISCLOSED TO OTHERS, REPRODUCED OR USED FOR ANY OTHER PURPOSE, EXCEPT AS AUTHORIZED IN WRITING BY DANIELS MANUFACTURING. MUST BE RETURNED TO DANIELS MANUFACTURING CORP. ON COMPLETION OF ORDER OR OTHER PURPOSE FOR WHICH LENT. | | HEAT TREAT | URN. | KS | DATE | DMC DANIELS MANUFACTURING CORP. ORLANDO, FLORIDA CAGE 11851 TITLE DIE SET ENVELOPE DRAWING (M22520/5-11) | |
| | | | CHK'D. | MGS | DATE | | |
| | | | APP'D. | | DATE | | |
| | | | APP'D. | | DATE | | |
| DO NOT SCALE DRAWING | | FINISH | WHERE USED | | | | |
| | | | SIZE | SCALE | CAD P/N | SHEET | OF |
| | | | B | 2X | Y205P-ENV | 1 | 1 |
| | | | POSTING | P/N | REV. | | |
| | | | | Y205P-ENV | 1 | | |