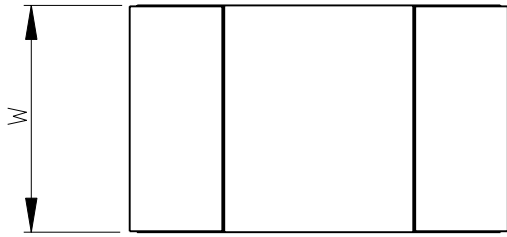
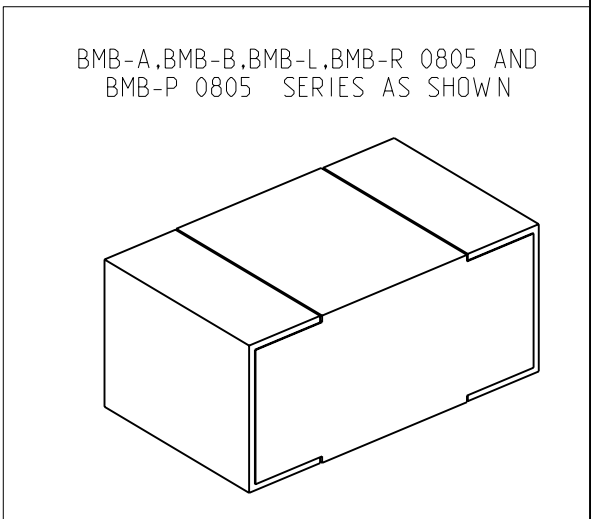


LOC	DIST	REVISIONS					
E	B	P	LTR	DESCRIPTION	DATE	DWN	APVD
				BA1 REVISED PER ECO-11-005150	28MAR2011	RK	HMR

FOR FURTHER INFORMATION SEE DATA SHEET FOR BMB SERIES-MULTILAYER FERRITE BEADS



RoHS Compliant



BMB-A,BMB-B,BMB-L,BMB-R 0805 AND BMB-P 0805 SERIES AS SHOWN

BMB-P 0805				
BMB-R 0805				
BMB-L 0805	2.0±0.20	1.2±0.20	0.9±0.20	0.5±0.30
BMB-B 0805				
BMB-A 0805				
SERIES	L	W	T	A

2008

RELEASED FOR PUBLICATION

ALL RIGHTS RESERVED.

BY -

© COPYRIGHT 2008

THIS DRAWING IS UNPUBLISHED.

DIMENSIONS:	DWN	15-Sep-08	MATERIAL	FINISH
mm	SUBHASH.M		-	-
TOLERANCES UNLESS OTHERWISE SPECIFIED:	CHK	15-Sep-08	TE Connectivity	
0 PLC ±0.5	ALLAN.P			
1 PLC ±0.2	APVD	15-Sep-08	NAME MULTILAYER FERRITE BEADS SERIES BMB 0805	
2 PLC ±0.1	STEPHEN.P			
3 PLC ±	PRODUCT SPEC		SIZE	CAGE CODE
4 PLC ±			A 4	00779
ANGLES ±5°	APPLICATION SPEC		DRAWING NO	RESTRICTED TO
			©=1624117	-
	WEIGHT		CUSTOMER DRAWING	
			SCALE	SHEET
			25:1	1 OF 1
				REV
				BA1