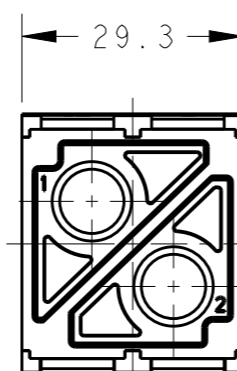
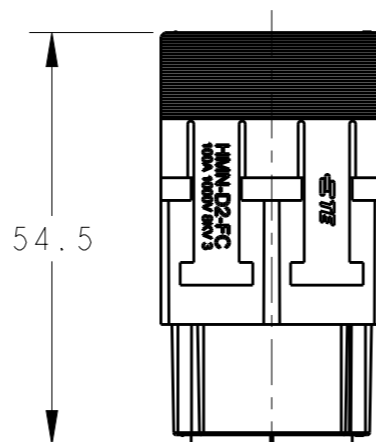
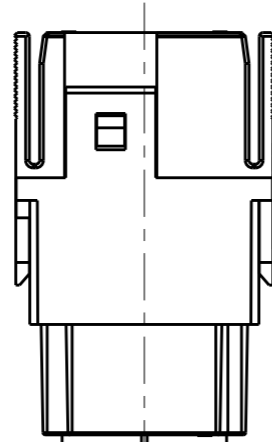
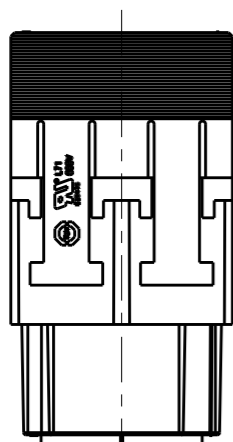
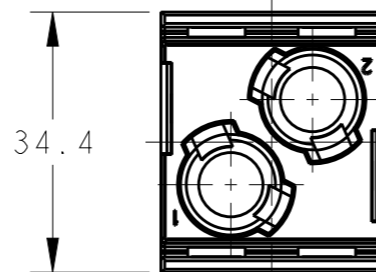
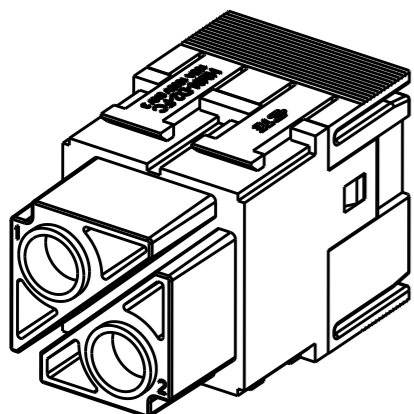


REVISIONS

| P | LTR | DESCRIPTION | DATE | DWN | APVD |
|---|-----|---------------|-----------|-----|------|
| | A | INITIAL | 18MAR2015 | DW | CW |
| | B | ECR-15-018270 | 07DEC2015 | DW | CW |
| | | | | | |




NOTES:

- TECHNICAL CHARACTERISTICS:
 INSULATION MATERIAL: PC
 RATED VOLTAGE: 1000V
 RATED CURRENT: 100A
 INSULATION RESISTANCE: $\geq 400M\Omega$
 RATED IMPULSE VOLTAGE: 8KV
 POLLUTION DEGREE: 3
 FLAMMABILITY: UL94V-0
 MATING CYCLES: 500 CYCLES
 OPERATION TEMPERATURE: $-40^{\circ}C \sim +125^{\circ}C$
 WIRE RANGE: $10.0mm^2 \sim 35.0mm^2$
 CONTACT TYPE: CRIMP CONTACT
- CONTACT NEED TO BE ORDERED SEPARATELY.
 (ORDER No. REFER TO DRAWING: T20500020XX000)

注释:

- 技术参数:
 绝缘材料: PC
 额定电压: 1000V
 额定电流: 100A
 绝缘电阻: $\geq 400M\Omega$
 脉冲电压: 8KV
 污染等级: 3
 阻燃等级: UL94V-0
 插拔次数: 500次
 工作温度: $-40^{\circ}C \sim +125^{\circ}C$
 接线范围: $10.0mm^2 \sim 35.0mm^2$
 接线类型: 冷压接
- 端子需要单独订购.
 (订货号参考图面: T20500020XX000)

| | |
|-------------|-----------------|
| HMN-D2-FC | T2111028201-000 |
| DESCRIPTION | PART NUMBER |

| | | | | |
|---|--|--------------------------------|---|--|
| THIS DRAWING IS A CONTROLLED DOCUMENT. | | DWN 18MAR2015 David Wang |  TE Connectivity | |
| DIMENSIONS: mm | | CHK 18MAR2015 Chris Wang | | |
| TOLERANCES UNLESS OTHERWISE SPECIFIED: | | APVD 18MAR2015 Xiang Xu | NAME HMN-D2-FC | |
| 0 PLC \pm - 1 PLC \pm - 2 PLC \pm - 3 PLC \pm - 4 PLC \pm - ANGLES \pm - | | PRODUCT SPEC 108-137058 | SIZE CAGE CODE DRAWING NO RESTRICTED TO | |
| MATERIAL | | APPLICATION SPEC 114-137058 | A300779 © T2111028201000 | |
| FINISH | | WEIGHT | SCALE 1:1 SHEET 1 OF 1 REV B | |
| | | Customer Drawing | | |