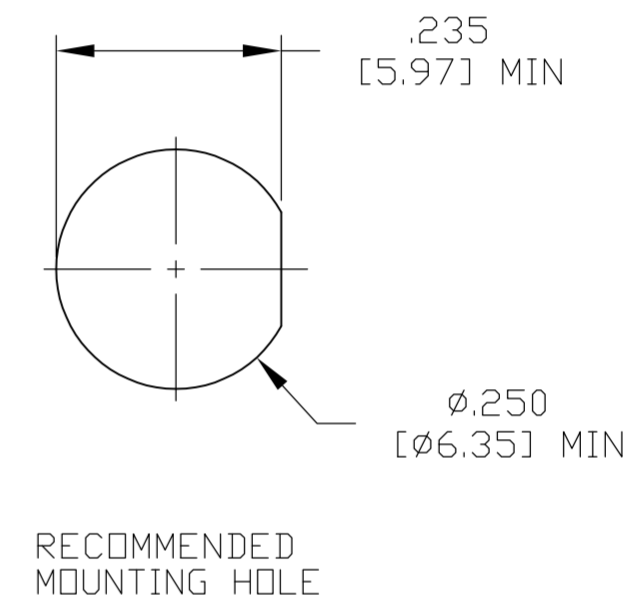
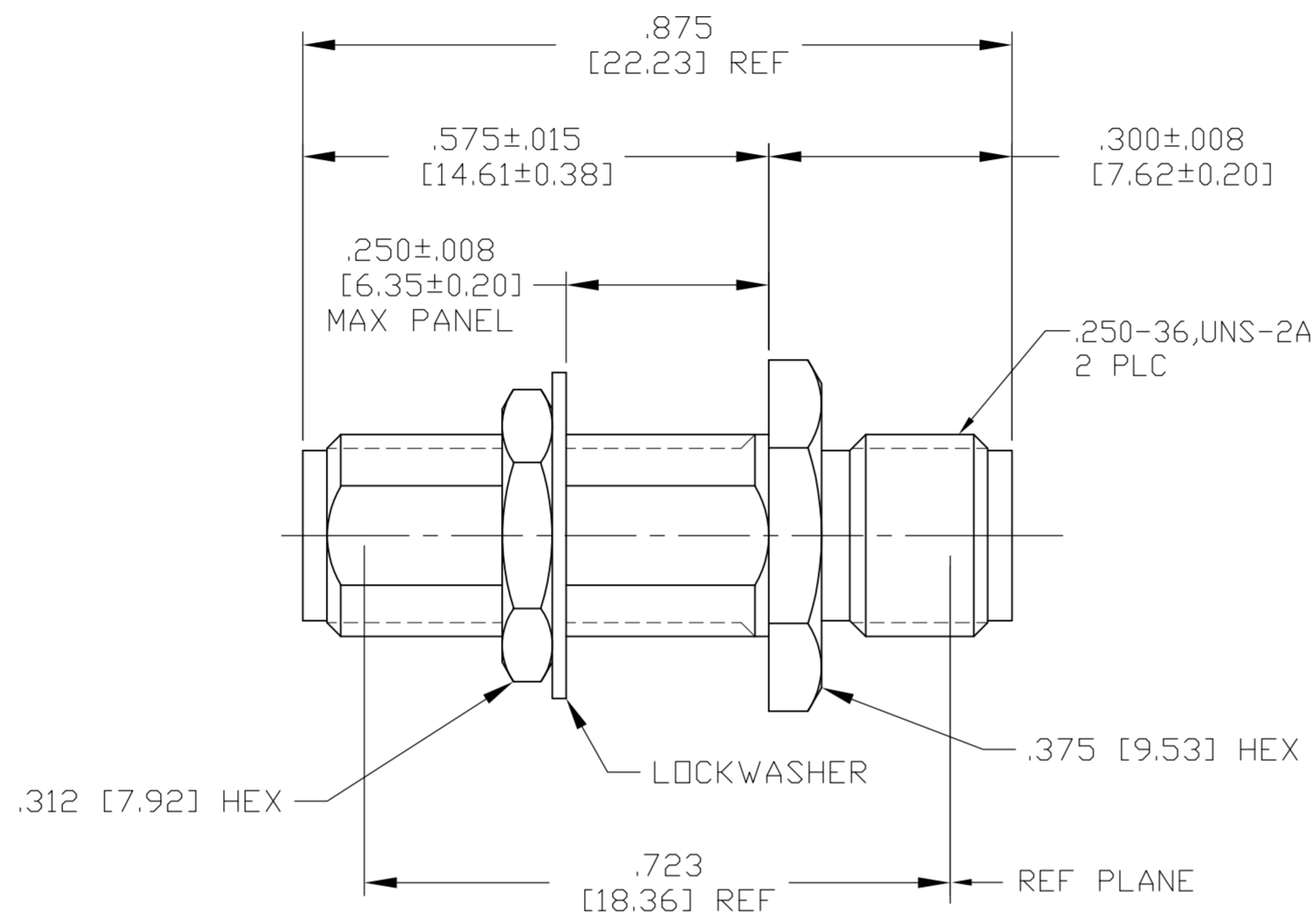


THIS DRAWING IS UNPUBLISHED. RELEASED FOR PUBLICATION
 © COPYRIGHT BY TYCO ELECTRONICS CORPORATION. ALL RIGHTS RESERVED.

LOC	DIST	REVISIONS					
DF	XO	P	LTR	DESCRIPTION	DATE	DWN	APVD
		B		REV PER ECO 08-028827	24NOV08	PK	DW

COMPONENT	MATERIAL	FINISH
HOUSING MOUNTING NUT LOCKWASHER	STAINLESS STEEL PER ASTM-A484 AND ASTM-A582, TYPE 303	PASSIVATE PER ASTM-A-380
DIELECTRIC	PTFE FLUOROCARBON PER ASTM-D-1457	N/A
CENTER CONTACT	BERYLLIUM COPPER PER ASTM-B-196 OR ASTM-B-197, ALLOY C17300, CONDITION H	GOLD PLATE PER ASTM-B-488



ELECTRICAL	MECHANICAL	ENVIRONMENTAL
Nominal Impedance (Ohms) 50	Interface Dimensions MIL-STD-348A, Fig. 310.2	TEMPERATURE RATING +125°C
Frequency Range (GHz) DC to 18 GHz	Recommended Mating Torque 7-10	Vibration MIL-STD-202, Method 204, Condition A
Volt Rating (VRMS MAX) @ Sea Level 335	Mating Characteristics:	Shock MIL-STD-202, Method 213, Condition I
VSWR 1.05 + .008X F(GHz)	Insertion (MAX Oz) 48	Thermal Shock MIL-STD-202, Method 107, Condition A, Except High Temp
Insertion Loss (dB MAX) .15 √ F(GHz)	Withdrawal (MIN Oz) 4	Moisture Resistance MIL-STD-202, Method 106
RF Leakage (dB MIN) -90 @ 2-3 GHz	Force to Engage and Disengage (In-Lbs MAX) 2	Corrosion - MIL-STD-202, Method 101, Condition B, 5% salt spray
Corona, 70,000 Ft (VRMS MIN)	Center Contact Captivation Axial (Lbs) 6.0	
Dielectric Withstanding Voltage (VRMS MIN) @ Sea Level 1000	Cable Retention Axial Force (Lbs) N/A	
Contact Resistance (Milliohms MAX) Center Contact 12.0	Torque (In-Oz) N/A	
Outer Contact 4.0	Weight (Grams) TBD	
Cable to Housing N/A		
RF High Potential @ Sea Level (VRMS MIN @ 5 MHz) 670		
I.R.(Megohms MIN) 5000		

1883077-1
PART NUMBER

THIS DRAWING IS A CONTROLLED DOCUMENT.		DWN C.C.THOMAS 8-5-07	Tyco Electronics Corporation Harrisburg, PA 17105-3608	
DIMENSIONS: INCHES [mm]		CHK D.WILSON 8-5-07	NAME SMA BULKHEAD FEEDTHRU JACK TO JACK ADAPTER WITH CAPTURED CENTER CONTACT	
TOLERANCES UNLESS OTHERWISE SPECIFIED:		APVD D.WILSON 8-5-07	APPLICATION SPEC	
0 PLC ± -		SIZE A2 CAGE CODE 00779 DRAWING NO C=1883077 RESTRICTED TO		
1 PLC ± -		WEIGHT - SCALE 5:1 SHEET 1 of 1 REV B		
2 PLC ± -		CUSTOMER DRAWING		
3 PLC ± .005 [0.13]		REF # 2084-5108-50		
4 PLC ± -				
ANGLES ± -				
FINISH SEE CALLOUTS				