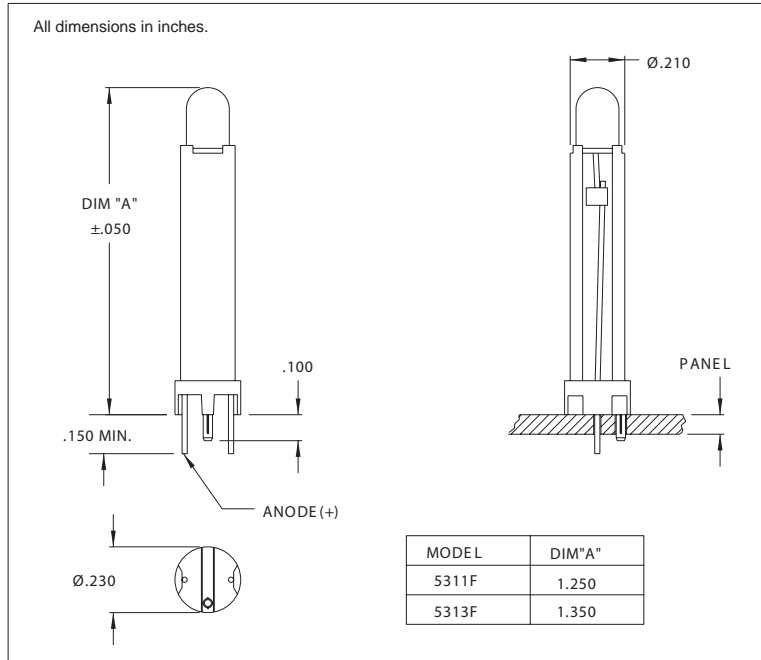




## 5311F Series Super BriteT-1 LED Circuit Board Indicator

### DESCRIPTION AND FEATURES



#### Features

- Block mounting, height and spacing alignment saves assembly cost and time.
- Standoffs prevent flux entrapment.
- Press-in mounting pin secures assembly to PC board while soldering.

Housing: Black Nylon, UL94V-0

Alternate LEDs are available in this package as standard variations.

Available options: Low current, 5 volt and 12 volt built-in resistors, bicolor and blue LEDs also offered. Call factory for ordering information.

Mounting hole pattern on page 1-X6.

### ELECTRO-OPTICAL CHARACTERISTICS AND RATINGS

| Part Number | Color  | Typ. Intensity (mcd) | Rated Current (mA) | Continuous Forward Current Max. (mA) | Forward Voltage Typ. (V) | Forward Voltage Max. (V) | Peak Forward Current @ 1 ms-300pps (A) | Peak Wavelength (nm) | Reverse Breakdown Voltage Min. (A) |
|-------------|--------|----------------------|--------------------|--------------------------------------|--------------------------|--------------------------|--|----------------------|------------------------------------|
| 5311F1      | Red    | 10                   | 10                 | 30                                   | 2.0                      | 3.0                      | 1.0                                    | 650                  | 5                                  |
| 5311F5      | Green  | 16                   | 10                 | 30                                   | 2.2                      | 3.0                      | .09                                    | 562                  | 5                                  |
| 5311F7      | Yellow | 6.3                  | 10                 | 30                                   | 2.1                      | 3.0                      | 1.0                                    | 585                  | 5                                  |
| 5313F1      | Red    | 10                   | 10                 | 30                                   | 2.0                      | 3.0                      | 1.0                                    | 650                  | 5                                  |
| 5313F5      | Green  | 16                   | 10                 | 30                                   | 2.2                      | 3.0                      | .09                                    | 562                  | 5                                  |
| 5313F7      | Yellow | 6.3                  | 10                 | 30                                   | 2.1                      | 3.0                      | 1.0                                    | 585                  | 5                                  |