

4

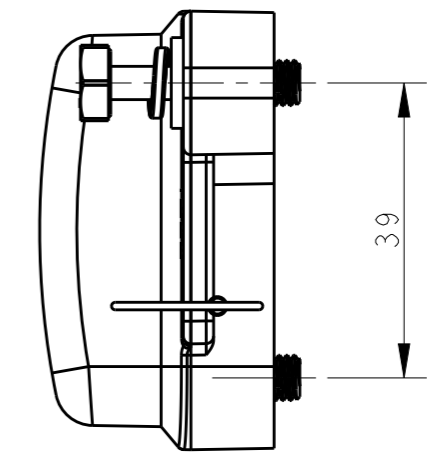
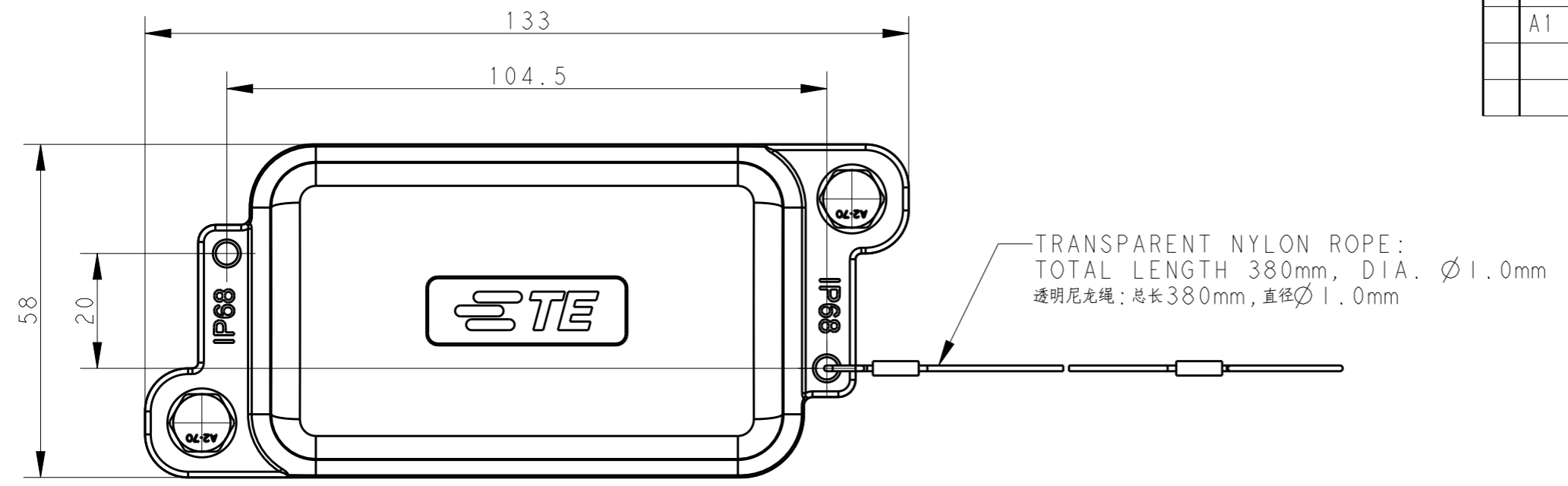
3

2

1

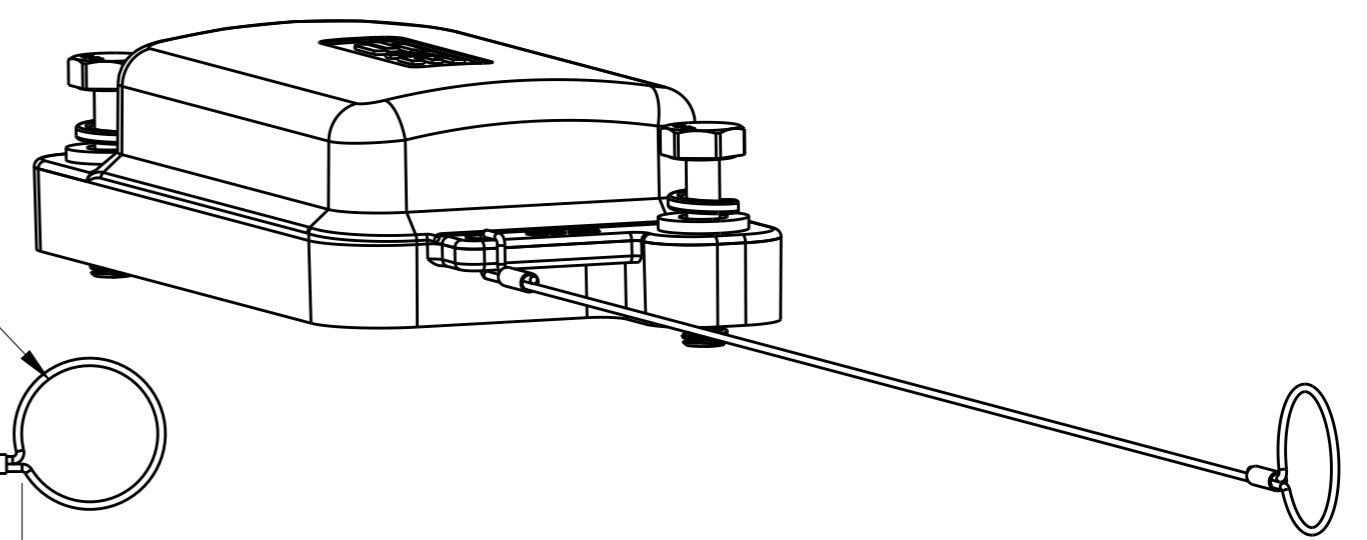
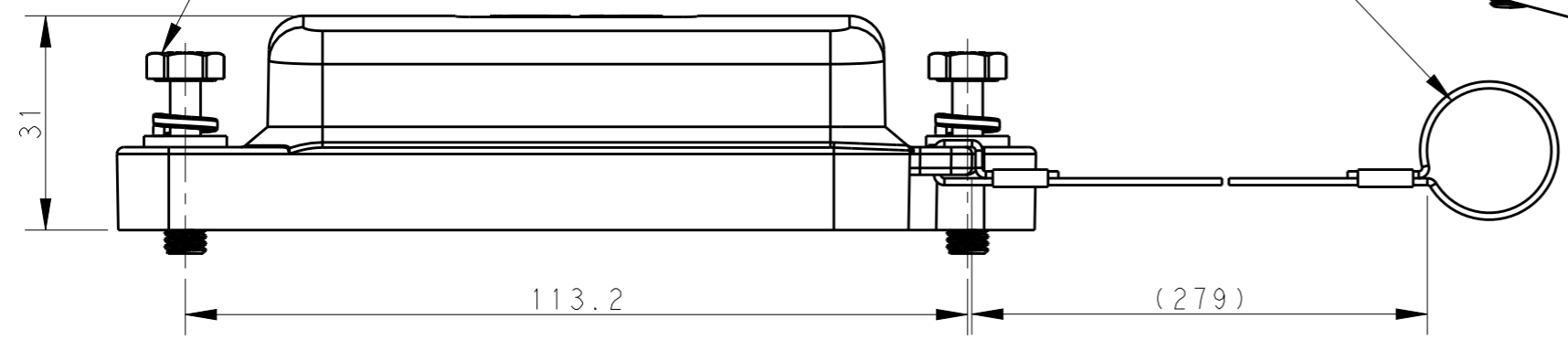
THIS DRAWING IS UNPUBLISHED. RELEASED FOR PUBLICATION 20
 © COPYRIGHT 20 BY - ALL RIGHTS RESERVED.

REVISIONS					
P	LTR	DESCRIPTION	DATE	DWN	APVD
	A	INITIAL RELEASE	22OCT2016	DW	CW
	A1	ECR-17-008404	10JUN2017	CH	CW



LOOP SIZE DEFAULT VALUE DIA. ϕ 18,
 UNLESS HAVE SPECIAL REQUIREMENT.
 套圈大小默认值直径是 ϕ 18, 除非有特别要求.

2XM6 SCREW, RECOMMENDED TIGHTENING TORQUE 4.0Nm
 2XM6 螺丝, 推荐锁紧扭矩4.0Nm



NOTES:
 I. TECHNICAL CHARACTERISTICS:
 COVER MATERIAL: DIE CAST ALUMINIUM ALLOY
 SURFACE TREATMENT: SEE TABLE

注释
 I. 技术参数:
 壳体材料: 铝合金
 表面处理: 见表格

T1990060000-009	H6BPR-KDBM-EMC-C	H6BPR HOUSING METAL PROTECTION COVER, DIAGONAL LOCKING, NYLON ROPE, PASSIVATION+POWDER COATED, BLACK / H6BPR对角锁定金属保护盖, 尼龙绳, 钝化+黑色粉末喷涂
PART NUMBER 料号	PART DESCRIPTION 描述	

THIS DRAWING IS A CONTROLLED DOCUMENT.		DWN 22OCT2016 DAVID.WANG	TE Connectivity				
DIMENSIONS: mm		CHK 22OCT2016 CHRIS.WANG			NAME H6BPR-KDBM-EMC-C		
TOLERANCES UNLESS OTHERWISE SPECIFIED: 0 PLC \pm - 1 PLC \pm - 2 PLC \pm - 3 PLC \pm - 4 PLC \pm - ANGLES \pm -		APVD 22OCT2016 XIANG.XU					
MATERIAL		PRODUCT SPEC	SIZE	CAGE CODE	DRAWING NO	RESTRICTED TO	
-		FINISH	A3	-	©-T1990060000009	-	
-			Customer Drawing		SCALE 1:1	SHEET 1 OF 1	REV A1