

ALCOSWITCH

DIP Switch

EDS, EDSP Series

TE Connectivity's (TE) ALCOSWITCH DIP switch EDS and EDSP series are designed for space-saving and streamlined manufacturing with full surface mount products. The EDS and EDSP series are available in standard raised actuators and recessed actuators, both flush and extended versions. The end-stackable design saves space on the PCB and allows for large position counts without sacrificing centerline spacing. Parts are available in both tube and tape & reel packaging, and are available with a top tape seal.



Applications

- Industrial and Automated Control Boards
- Fire and Security Systems
- Thermostats
- Elevator/Escalator
- Telecommunication Devices

Electrical

- Current/Voltage rating: 25 mA @ 24 VDC
- Contact resistance: 100 MΩ max
- Dielectric strength: 500 VAC for 1 minute

Mechanical

- Actuator force: 1,000 gf max
- Actuator travel: 1 mm
- Life cycles: 2,000 cycles
- Operating temperature: -20° C to +85° C
- Storage temperature: -40° C to +85° C

Materials

- Base/Cover: High temperature Nylon (UL94-VO)
- Contact: Cu alloy, Au over nickel plated
- Terminal: Brass, Au plated
- Actuator: LCP (UL94 V-O)

Benefits

- End stackable feature allows for PCB space saving and maintaining a consistent centerline.
- Raised or recessed actuators for design flexibility
- Piano-style actuators for edge of PCB mounting of switch
- Surface Mounted (Gull-wing and J-Lead) options available
- Configurable contact for Push Up or Push Down ON position
- Gold contact plating for high reliability and corrosion resistance
- Tape and reel packaging with top tape seal available for quick pick-and-place assembly

Product Key

EDS 04 SG F S TR 04

Position Count

| | |
|----|-------------|
| 01 | 1 Position |
| 02 | 2 Position |
| 03 | 3 Position |
| 04 | 4 Position |
| 05 | 5 Position |
| 06 | 6 Position |
| 07 | 7 Position |
| 08 | 8 Position |
| 09 | 9 Position |
| 10 | 10 Position |
| 12 | 12 Position |

Mounting Style

| | |
|----|-------------------------|
| SG | SMT Gull Wing Terminals |
| SN | SMT J Lead Terminals |

Environmental Compliance

| | |
|-----|--------------------|
| 04Q | RoHS, Halogen Free |
|-----|--------------------|

Packaging

| | |
|----|-------------|
| TU | Tube |
| TR | Tape & Reel |

Tape Seal

| | |
|---|---------------|
| N | No Tape Seal |
| S | Top Tape Seal |

Actuator

| | |
|---|-------------------|
| N | Raised Actuator |
| R | Recessed Actuator |

Product Selection Information

| Part Number | Description | Position | Mounting Style | Actuator Type | Sealing | Packaging |
|-----------------------------|----------------|----------|----------------|---------------|---------------|-------------|
| 2-2319847-2 | EDS01SGNNTR04Q | 1 | SMT Gull Wing | Raised | No Tape Seal | Tape & Reel |
| 2319847-4 | EDS04SGNNTU04Q | 4 | SMT Gull Wing | Raised | No Tape Seal | Tube |
| 2-2319847-8 | EDS07SGNNTR04Q | 7 | SMT Gull Wing | Raised | No Tape Seal | Tape & Reel |
| 2319847-8 | EDS08SGNNTU04Q | 8 | SMT Gull Wing | Raised | No Tape Seal | Tube |
| 3-2319847-1 | EDS10SGNNTR04Q | 10 | SMT Gull Wing | Raised | No Tape Seal | Tape & Reel |
| 2319848-2 | EDS02SGRNTU04Q | 2 | SMT Gull Wing | Recessed | No Tape Seal | Tube |
| 4-2319848-5 | EDS03SGRNTR04Q | 3 | SMT Gull Wing | Recessed | No Tape Seal | Tape & Reel |
| 6-2319848-8 | EDS05SGRSTR04Q | 5 | SMT Gull Wing | Recessed | Top Tape Seal | Tape & Reel |
| 2-2319848-7 | EDS06SGRSTU04Q | 6 | SMT Gull Wing | Recessed | Top Tape Seal | Tube |
| 8-2319848-2 | EDS09SNRSTR04Q | 9 | SMT J Lead | Recessed | Top Tape Seal | Tape & Reel |
| 5-2319848-3 | EDS12SGRNTR04Q | 12 | SMT Gull Wing | Recessed | No Tape Seal | Tape & Reel |

Dimensions

Part Number 2319847



Product Key

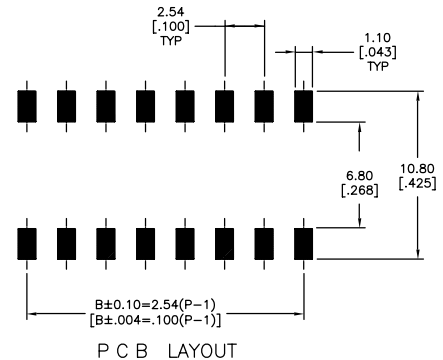
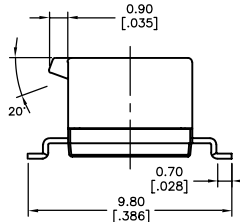
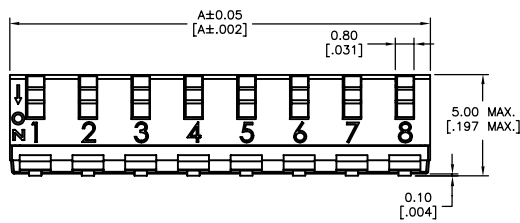
| | | | | | | | | | | | |
|-----------------------|-------------------------|------|----|----|---|---|---|----|------------------------|---------------------------------|--|
| Position Count | | EDSP | 04 | SG | L | F | S | TR | 04 | Environmental Compliance | |
| 02 | 2 Position | | | | | | | | 04Q | RoHS Compliant | |
| 04 | 4 Position | | | | | | | | Packaging | | |
| 06 | 6 Position | | | | | | | | TU | Tube | |
| 08 | 8 Position | | | | | | | | TR | Tape & Reel | |
| 10 | 10 Position | | | | | | | | Tape Seal | | |
| Mounting Style | | | | | | | | | N | No Tape Seal | |
| SG | SMT Gull Wing Terminals | | | | | | | | S | Top Tape Seal (Short Only) | |
| SN | SMT J Lead Terminals | | | | | | | | On/Off Position | | |
| Actuator | | | | | | | | | N | Push Down On | |
| L | Long Actuator | | | | | | | | F | Push Down Off | |
| R | Short Actuator | | | | | | | | | | |

Product Selection Information

| Part Number | Description | Position | Actuator Type | ON/OFF Position | Sealing | Packaging |
|-----------------------------|-----------------|----------|---------------|-----------------|---------------|-------------|
| 2319764-1 | EDSP02SGLNNTU04 | 2 | Long | Push Down ON | No Tape Seal | Tube |
| 2319764-2 | EDSP04SGLNNTU04 | 4 | Long | Push Down ON | No Tape Seal | Tube |
| 2319764-3 | EDSP06SGLNNTU04 | 6 | Long | Push Down ON | No Tape Seal | Tube |
| 2319764-4 | EDSP08SGLNNTU04 | 8 | Long | Push Down ON | No Tape Seal | Tube |
| 2319764-5 | EDSP10SGLNNTU04 | 10 | Long | Push Down ON | No Tape Seal | Tube |
| 5-2319764-6 | EDSP02SGRFSTR04 | 2 | Short | Push Down OFF | Top Tape Seal | Tape & Reel |
| 5-2319764-7 | EDSP04SGRFSTR04 | 4 | Short | Push Down OFF | Top Tape Seal | Tape & Reel |
| 5-2319764-8 | EDSP06SGRFSTR04 | 6 | Short | Push Down OFF | Top Tape Seal | Tape & Reel |
| 5-2319764-9 | EDSP08SGRFSTR04 | 8 | Short | Push Down OFF | Top Tape Seal | Tape & Reel |
| 6-2319764-0 | EDSP10SGRFSTR04 | 10 | Short | Push Down OFF | Top Tape Seal | Tape & Reel |

Dimensions

Part Number 2319764



te.com

©2017 TE Connectivity. All Rights Reserved. TE, ALCOSWITCH, TE Connectivity, and the TE connectivity (logo) are trademarks of the TE Connectivity Ltd. family of companies. Other logos, product and Company names mentioned herein may be trademarks of their respective owners.

While TE has made every reasonable effort to ensure the accuracy of the information in this brochure, TE does not guarantee that it is error-free, nor does TE make any other representation, warranty or guarantee that the information is accurate, correct, reliable or current. TE reserves the right to make any adjustments to the information contained herein at any time without notice. TE expressly disclaims all implied warranties regarding the information contained herein, including, but not limited to, any implied warranties of merchantability or fitness for a particular purpose. The dimensions in this catalog are for reference purposes only and are subject to change without notice. Specifications are subject to change without notice. Consult TE for the latest dimensions and design specifications.

1-1773931-7 BH 08/2017

USA: +1 (800) 522-6752
 Canada: +1 (905) 475-6222
 Mexico: +52 (0) 55-1106-0800
 Latin/S. America: +54 (0) 11-4733-2200
 Germany: +49 (0) 6251-133-1999
 UK: +44 (0) 800-267666
 France: +33 (0) 1-3420-8686
 The Netherlands: +31 (0) 73-6246-999
 China: +86 (0) 400-820-6015

