

ALCOSWITCH

DIP Switch

EDS, EDSP Series

TE Connectivity's (TE) ALCOSWITCH DIP switch EDS and EDSP series are designed for space-saving and streamlined manufacturing with full surface mount products. The EDS and EDSP series are available in standard raised actuators and recessed actuators, both flush and extended versions. The end-stackable design saves space on the PCB and allows for large position counts without sacrificing centerline spacing. Parts are available in both tube and tape & reel packaging, and are available with a top tape seal.



Applications

- Industrial and Automated Control Boards
- Fire and Security Systems
- Thermostats
- Elevator/Escalator
- Telecommunication Devices

Electrical

- Current/Voltage rating: 25 mA @ 24 VDC
- Contact resistance: 100 MΩ max
- Dielectric strength: 500 VAC for 1 minute

Mechanical

- Actuator force: 1,000 gf max
- Actuator travel: 1 mm
- Life cycles: 2,000 cycles
- Operating temperature: -20° C to +85° C
- Storage temperature: -40° C to +85° C

Materials

- Base/Cover: High temperature Nylon (UL94-VO)
- Contact: Cu alloy, Au over nickel plated
- Terminal: Brass, Au plated
- Actuator: LCP (UL94 V-O)

Benefits

- End stackable feature allows for PCB space saving and maintaining a consistent centerline.
- Raised or recessed actuators for design flexibility
- Piano-style actuators for edge of PCB mounting of switch
- Surface Mounted (Gull-wing and J-Lead) options available
- Configurable contact for Push Up or Push Down ON position
- Gold contact plating for high reliability and corrosion resistance
- Tape and reel packaging with top tape seal available for quick pick-and-place assembly

Product Key

EDS 04 SG F S TR 04

Position Count

01	1 Position
02	2 Position
03	3 Position
04	4 Position
05	5 Position
06	6 Position
07	7 Position
08	8 Position
09	9 Position
10	10 Position
12	12 Position

Mounting Style

SG	SMT Gull Wing Terminals
SN	SMT J Lead Terminals

Environmental Compliance

04Q	RoHS, Halogen Free
-----	--------------------

Packaging

TU	Tube
TR	Tape & Reel

Tape Seal

N	No Tape Seal
S	Top Tape Seal

Actuator

N	Raised Actuator
R	Recessed Actuator

Product Selection Information

Part Number	Description	Position	Mounting Style	Actuator Type	Sealing	Packaging
2-2319847-2	EDS01SGNNTR04Q	1	SMT Gull Wing	Raised	No Tape Seal	Tape & Reel
2319847-4	EDS04SGNNTU04Q	4	SMT Gull Wing	Raised	No Tape Seal	Tube
2-2319847-8	EDS07SGNNTR04Q	7	SMT Gull Wing	Raised	No Tape Seal	Tape & Reel
2319847-8	EDS08SGNNTU04Q	8	SMT Gull Wing	Raised	No Tape Seal	Tube
3-2319847-1	EDS10SGNNTR04Q	10	SMT Gull Wing	Raised	No Tape Seal	Tape & Reel
2319848-2	EDS02SGRNTU04Q	2	SMT Gull Wing	Recessed	No Tape Seal	Tube
4-2319848-5	EDS03SGRNTR04Q	3	SMT Gull Wing	Recessed	No Tape Seal	Tape & Reel
6-2319848-8	EDS05SGRSTR04Q	5	SMT Gull Wing	Recessed	Top Tape Seal	Tape & Reel
2-2319848-7	EDS06SGRSTU04Q	6	SMT Gull Wing	Recessed	Top Tape Seal	Tube
8-2319848-2	EDS09SNRSTR04Q	9	SMT J Lead	Recessed	Top Tape Seal	Tape & Reel
5-2319848-3	EDS12SGRNTR04Q	12	SMT Gull Wing	Recessed	No Tape Seal	Tape & Reel

Dimensions

Part Number 2319847



Product Key

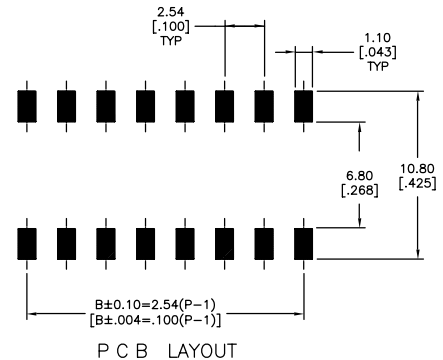
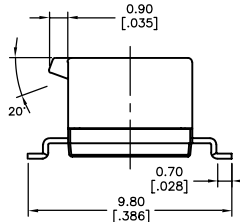
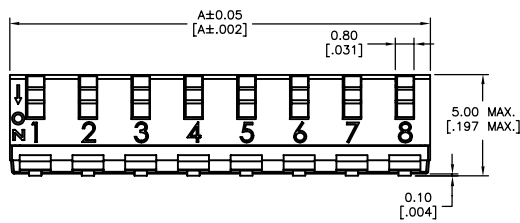
Position Count		EDSP	04	SG	L	F	S	TR	04	Environmental Compliance	
02	2 Position								04Q	RoHS Compliant	
04	4 Position								Packaging		
06	6 Position								TU	Tube	
08	8 Position								TR	Tape & Reel	
10	10 Position								Tape Seal		
Mounting Style									N	No Tape Seal	
SG	SMT Gull Wing Terminals								S	Top Tape Seal (Short Only)	
SN	SMT J Lead Terminals								On/Off Position		
Actuator									N	Push Down On	
L	Long Actuator								F	Push Down Off	
R	Short Actuator										

Product Selection Information

Part Number	Description	Position	Actuator Type	ON/OFF Position	Sealing	Packaging
2319764-1	EDSP02SGLNNTU04	2	Long	Push Down ON	No Tape Seal	Tube
2319764-2	EDSP04SGLNNTU04	4	Long	Push Down ON	No Tape Seal	Tube
2319764-3	EDSP06SGLNNTU04	6	Long	Push Down ON	No Tape Seal	Tube
2319764-4	EDSP08SGLNNTU04	8	Long	Push Down ON	No Tape Seal	Tube
2319764-5	EDSP10SGLNNTU04	10	Long	Push Down ON	No Tape Seal	Tube
5-2319764-6	EDSP02SGRFSTR04	2	Short	Push Down OFF	Top Tape Seal	Tape & Reel
5-2319764-7	EDSP04SGRFSTR04	4	Short	Push Down OFF	Top Tape Seal	Tape & Reel
5-2319764-8	EDSP06SGRFSTR04	6	Short	Push Down OFF	Top Tape Seal	Tape & Reel
5-2319764-9	EDSP08SGRFSTR04	8	Short	Push Down OFF	Top Tape Seal	Tape & Reel
6-2319764-0	EDSP10SGRFSTR04	10	Short	Push Down OFF	Top Tape Seal	Tape & Reel

Dimensions

Part Number 2319764



te.com

©2017 TE Connectivity. All Rights Reserved. TE, ALCOSWITCH, TE Connectivity, and the TE connectivity (logo) are trademarks of the TE Connectivity Ltd. family of companies. Other logos, product and Company names mentioned herein may be trademarks of their respective owners.

While TE has made every reasonable effort to ensure the accuracy of the information in this brochure, TE does not guarantee that it is error-free, nor does TE make any other representation, warranty or guarantee that the information is accurate, correct, reliable or current. TE reserves the right to make any adjustments to the information contained herein at any time without notice. TE expressly disclaims all implied warranties regarding the information contained herein, including, but not limited to, any implied warranties of merchantability or fitness for a particular purpose. The dimensions in this catalog are for reference purposes only and are subject to change without notice. Specifications are subject to change without notice. Consult TE for the latest dimensions and design specifications.

1-1773931-7 BH 08/2017

USA: +1 (800) 522-6752
 Canada: +1 (905) 475-6222
 Mexico: +52 (0) 55-1106-0800
 Latin/S. America: +54 (0) 11-4733-2200
 Germany: +49 (0) 6251-133-1999
 UK: +44 (0) 800-267666
 France: +33 (0) 1-3420-8686
 The Netherlands: +31 (0) 73-6246-999
 China: +86 (0) 400-820-6015

