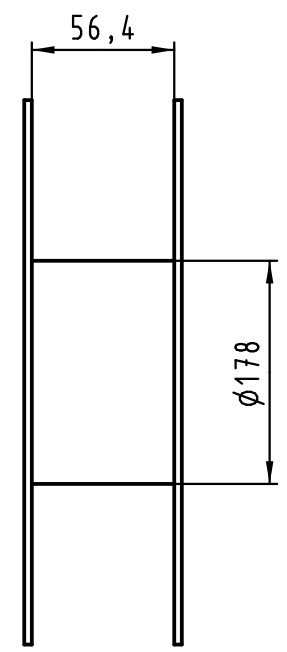
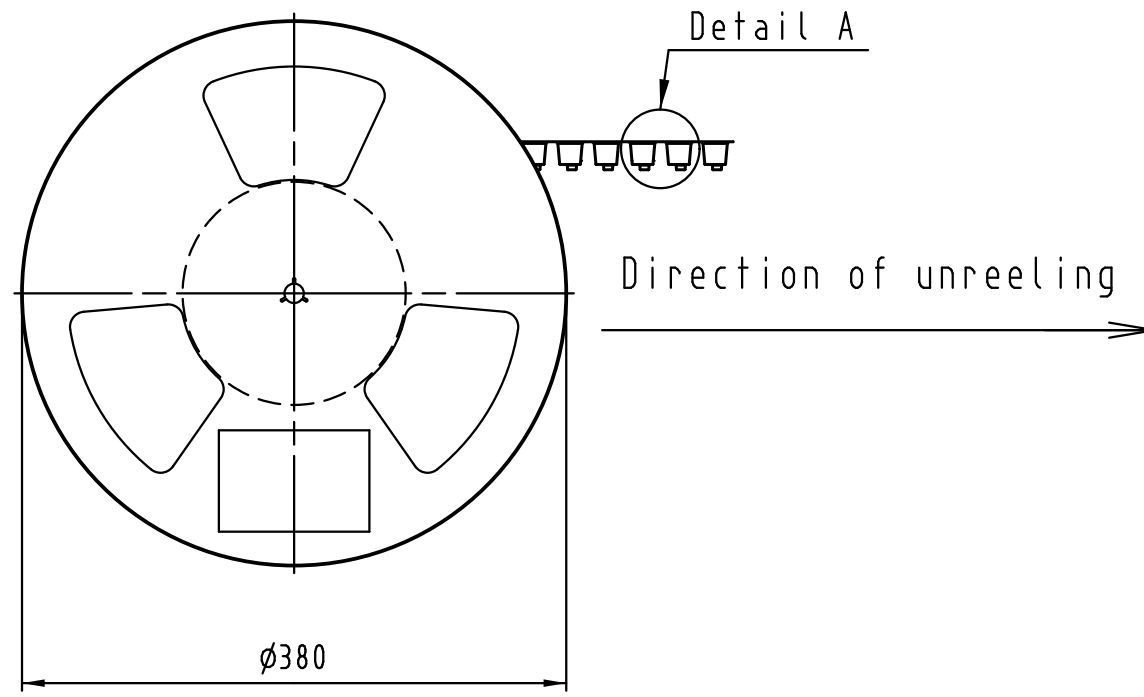
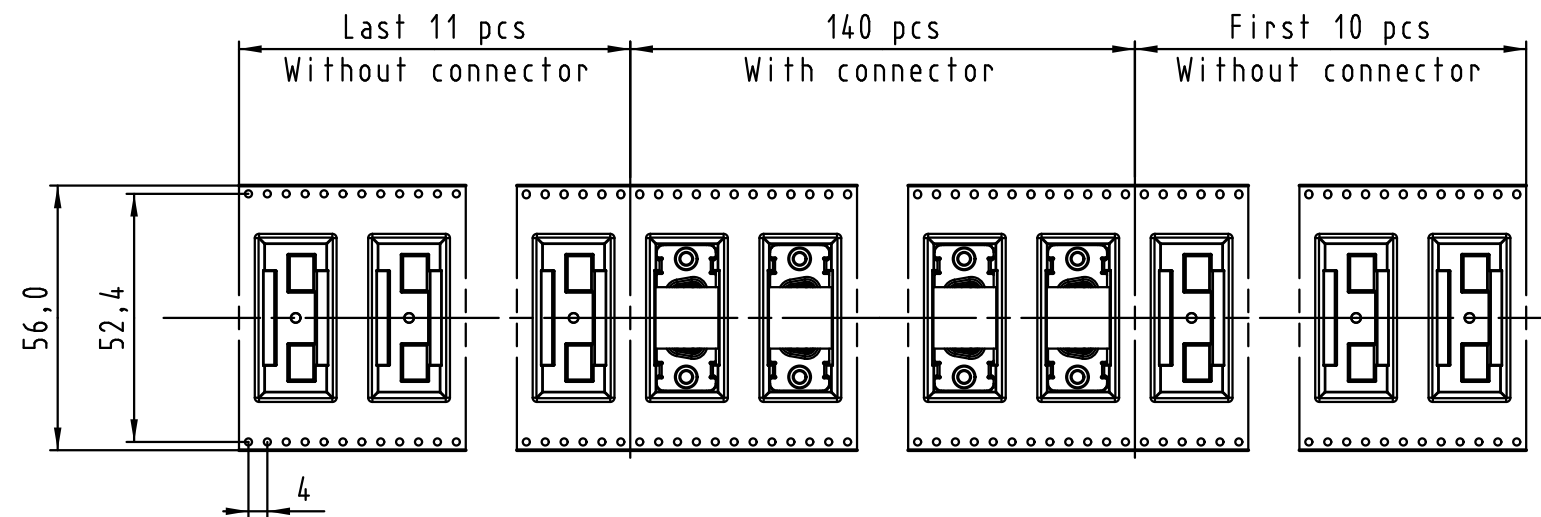


Detail A



See TB 09 55 129 x81x folio 1/2 for connector dimensions and PCB layout

Packaging in accordance with EIA 481-2.

0955 129 3811 741	1	M3	Black insulator	Reel Packaging: 140 connectors
0955 129 3812 741	1	4-40 UNC		
0955 129 6811 741	2	M3		
0955 129 6812 741	2	4-40 UNC		
0955 129 7811 741	3	M3		
0955 129 7812 741	3	4-40 UNC		
Part number	PL	Nut	Index designation	

	All Dimensions in mm Original Size DIN A 3			Techn. Character.			Free size tolerances		
EC04070	17-Nov-11	Johnson.S	Zhuhai HARTING Limited			TB 09 55 129 x81x			Page 2/2
Mod.	Dat.	Name				Sub.			

All rights reserved