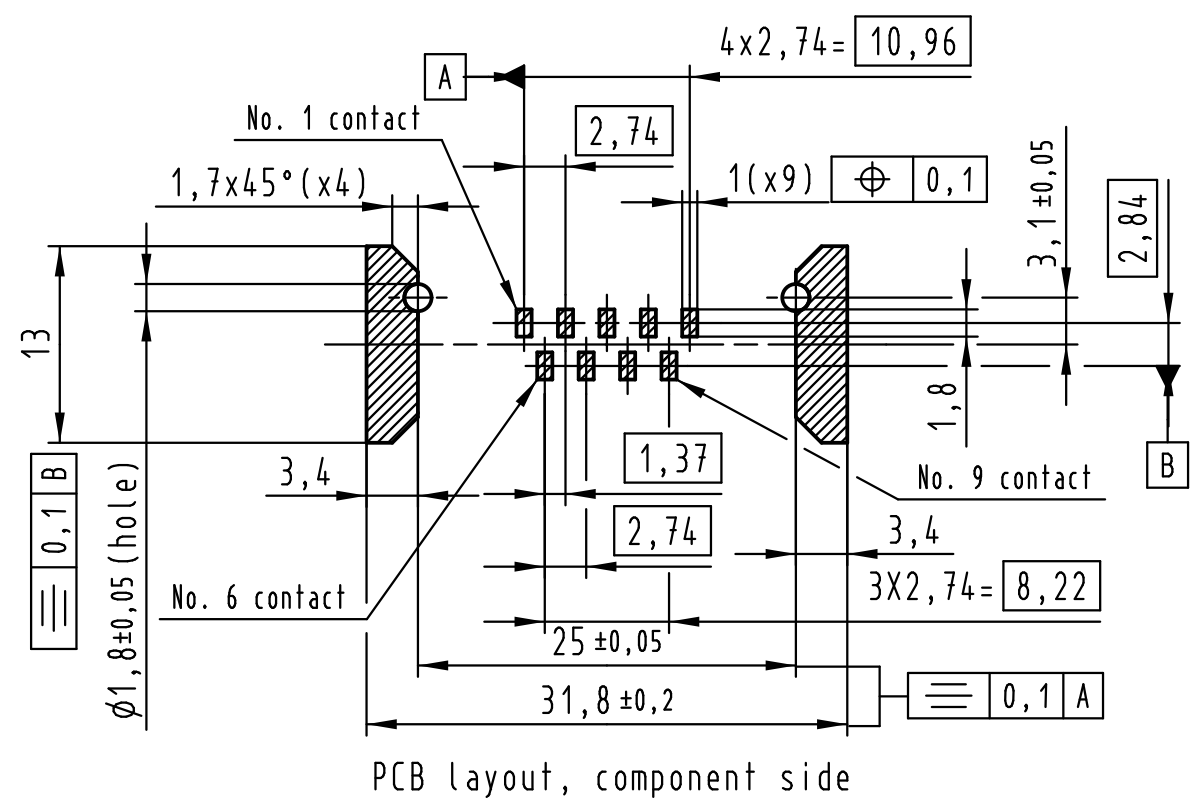
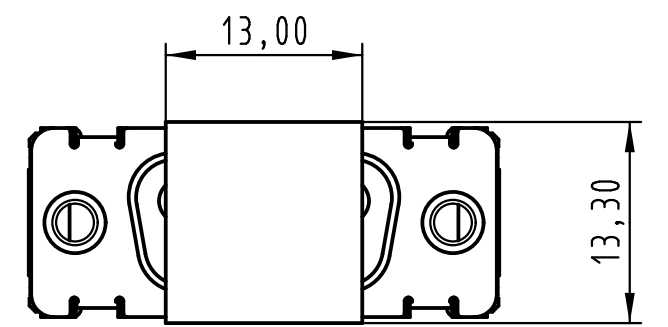
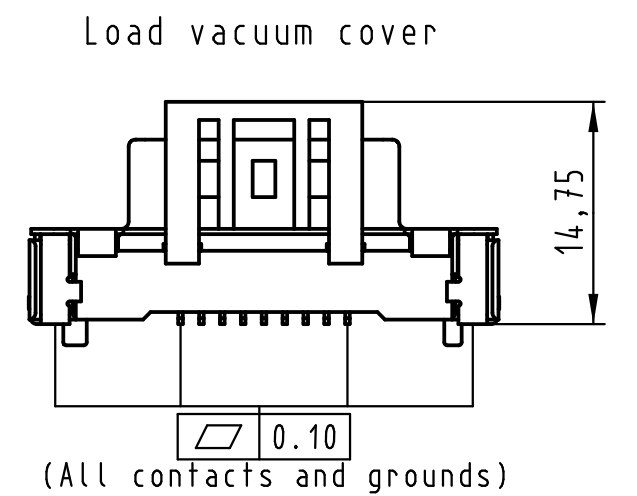
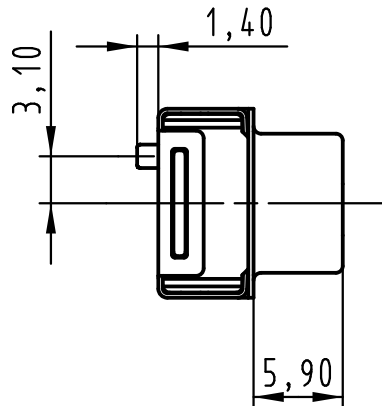
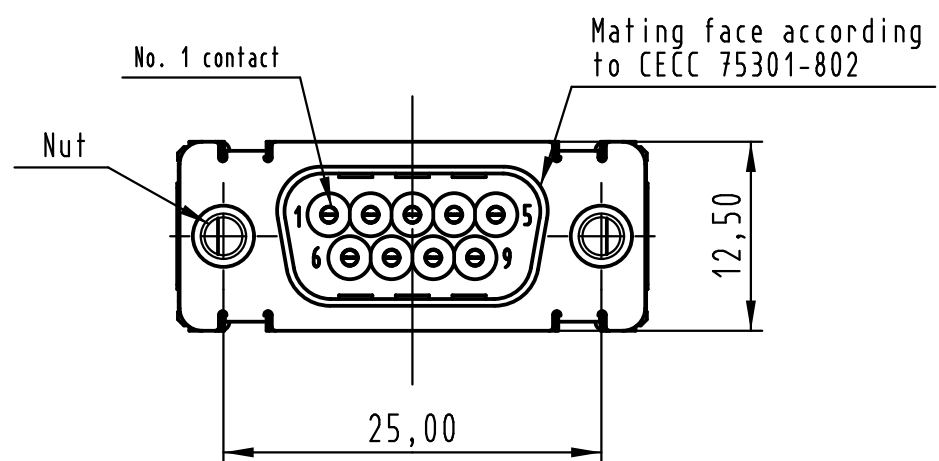
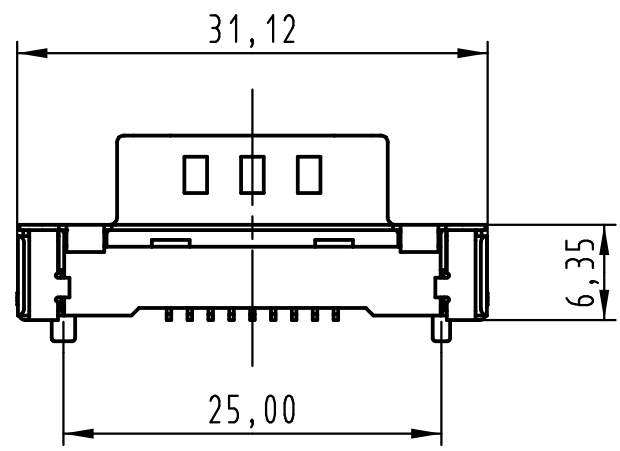


All rights reserved



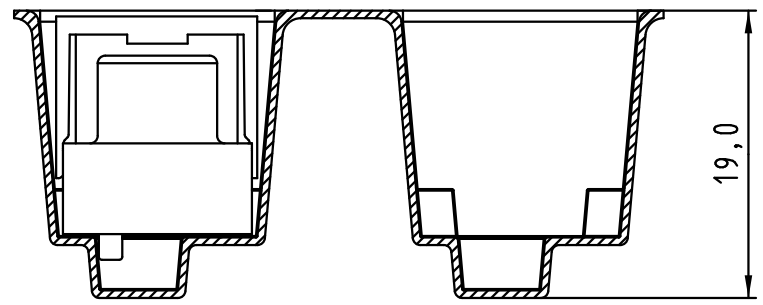
Max. Temperature: 260° during 10 seconds.

0955 129 3811 741	1	M3
0955 129 3812 741	1	4-40 UNC
0955 129 6811 741	2	M3
0955 129 6812 741	2	4-40 UNC
0955 129 7811 741	3	M3
0955 129 7812 741	3	4-40 UNC

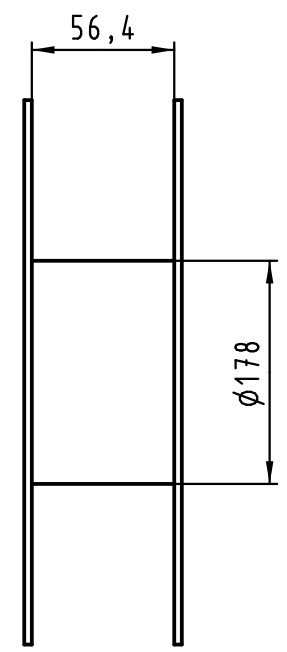
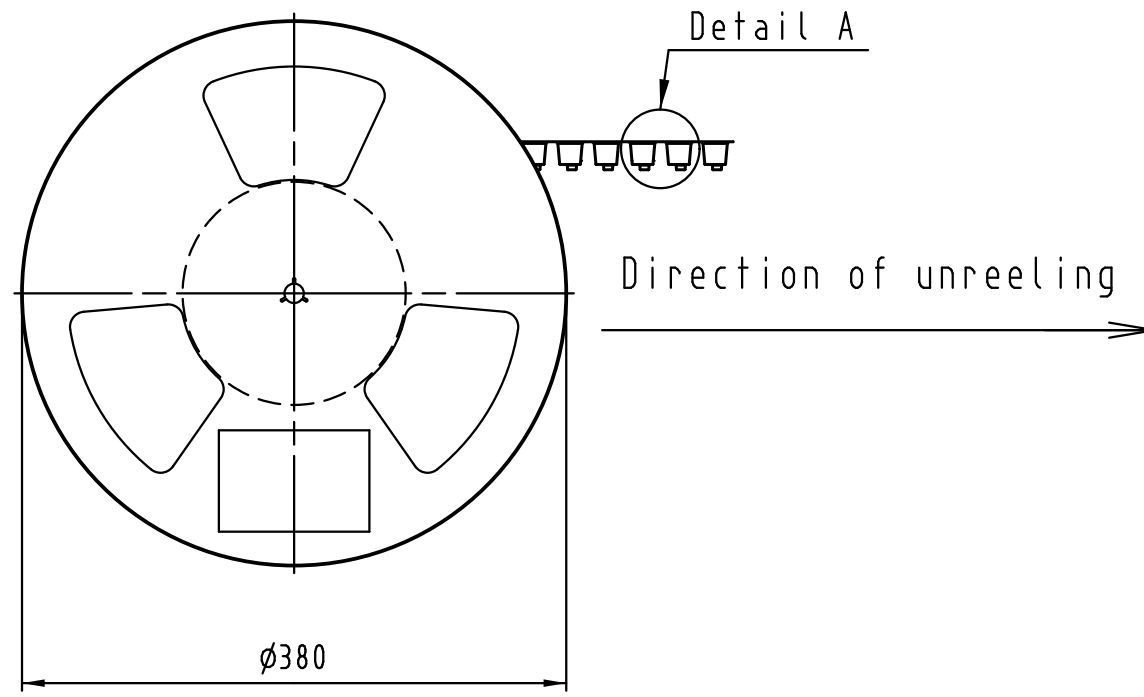
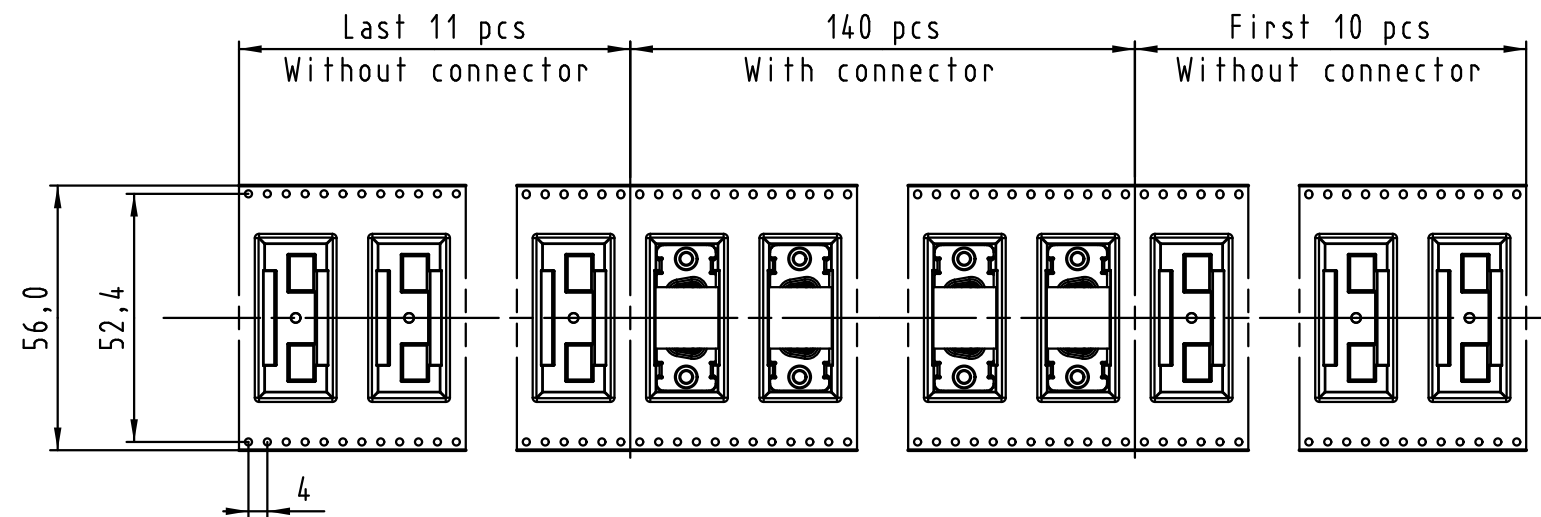
Black insulator

Reel Packaging:
140 connectors
(See details on page 2/2)

Part number	PL	Nut	Index designation	
All Dimensions in mm Original Size DIN A 3			Free size tolerances	
Techn. Character.		Dat.	Name	
		Scale	D-Sub SMT, 9 poles Male, Straight with nuts and ground pads	
Detail.		14-Sep-11		Johnson.S
Insp.		17-Nov-11		Steven.W
Stand.		17-Nov-11	Steven.W	
EC04070 17-Nov-11 Johnson.S Mod. Dat. Name			Zhuhai HARTING Limited	
			TB 09 55 129 x81x Sub.	



Detail A



See TB 09 55 129 x81x folio 1/2 for connector dimensions and PCB layout

Packaging in accordance with EIA 481-2.

0955 129 3811 741	1	M3	Black insulator	Reel Packaging: 140 connectors
0955 129 3812 741	1	4-40 UNC		
0955 129 6811 741	2	M3		
0955 129 6812 741	2	4-40 UNC		
0955 129 7811 741	3	M3		
0955 129 7812 741	3	4-40 UNC		
Part number	PL	Nut	Index designation	

All Dimensions in mm Original Size DIN A 3			Techn. Character.			Free size tolerances		
				Dat.	Name	D-Sub SMT, 9 poles Male, Straight with nuts and ground pads		
			Detail.	14-Sep-11	Johnson.S			
			Insp.	17-Nov-11	Steven.W			
			Stand.	17-Nov-11	Steven.W			
EC04070	17-Nov-11	Johnson.S	Zhuhai HARTING Limited			TB 09 55 129 x81x		
Mod.	Dat.	Name				Page 2/2 Sub.		

All rights reserved