

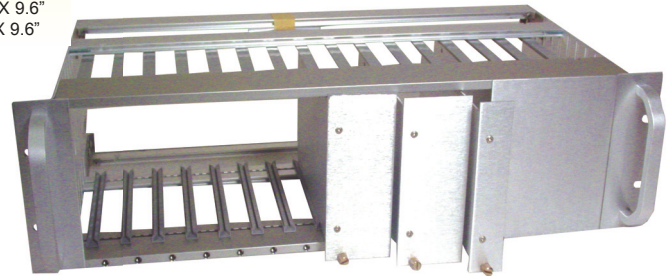
CCM13S/90 - shown fully assembled includes dress panels and handles

Universal Card-Mount System

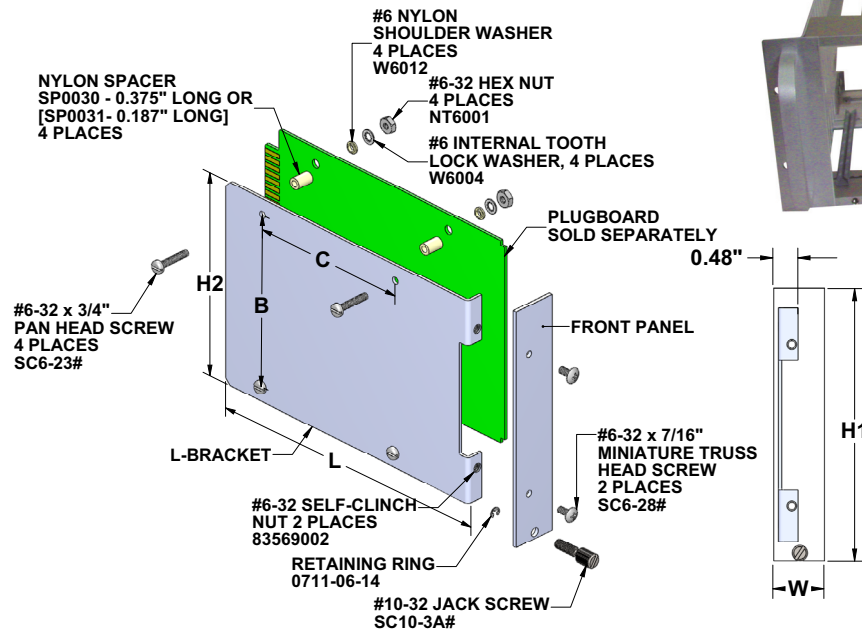
- Racks sold fully assembled only
- 3U, 4U and 6U Versions
- All racks include 16 slots on 1.0" centers
- Modules sold separately unassembled, easy to customize
- Modules of different width all in one rack, 1.0" to 4.0"
- Rear "T"-Struts included for mounting of connectors or backplanes (Vector P/N HD34)
- Aluminum plate slides into card guide
- Rack handles and dress panels included

Assembled Card Mount Subracks

| Part No. | Rack outer Dimensions | # of Card Guides | Versions | Card Size |
|-----------|-----------------------------|-----------------------|-----------|--------------|
| CCM13S/90 | 3U (5.25") X 19"W X 9"D | 16 pair on 1" centers | Assembled | 4.5" X 6.5" |
| CCM14S/90 | 3U (5.25") X 19"W X 12"D | 16 pair on 1" centers | Assembled | 4.5" X 9.6" |
| CCM15S/90 | 4U (7.00") X 19"W X 12"D | 16 pair on 1" centers | Assembled | 6.25" X 9.6" |
| CCM18S/90 | 6U (10.5") X 19"W X 15.75"D | 16 pair on 1" centers | Assembled | 9.0" X 9.6" |



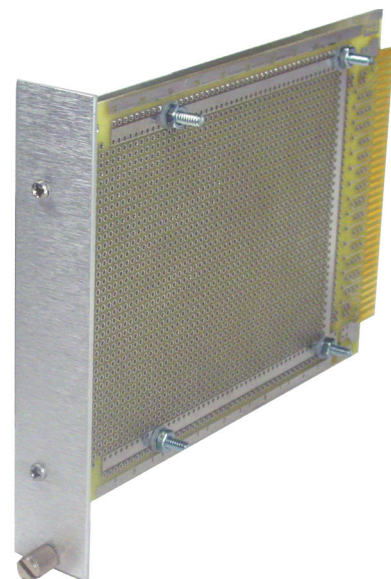
CCM13S/90 - shown with CM45A65-1 and CM45A65-2



Card Mount Module Exploded View

Card Mount Modules

| Part No. | Height | | Width | | Length | | Module Rack |
|-----------|--------|-------|-------|-------|--------|------|-------------|
| | H1 | H2 | W | L | B | C | |
| CM45A65-1 | 5.25" | 4.5" | 1.0" | 6.57" | 3.8" | 3.6" | CCM13S |
| CM45A65-2 | 5.25" | 4.5" | 2.0" | 6.57" | 3.8" | 3.6" | CCM13S |
| CM45A65-4 | 5.25" | 4.5" | 4.0" | 6.57" | 3.8" | 3.6" | CCM13S |
| CM45B95-1 | 5.25" | 4.5" | 1.0" | 9.57" | 3.8" | 6.6" | CCM14S |
| CM45B95-2 | 5.25" | 4.5" | 2.0" | 9.57" | 3.8" | 6.6" | CCM14S |
| CM45B95-4 | 5.25" | 4.5" | 4.0" | 9.57" | 3.8" | 6.6" | CCM14S |
| CM62F95-1 | 7.0" | 6.25" | 1.0" | 9.57" | 5.55" | 6.6" | CCM15S |
| CM62F95-2 | 7.0" | 6.25" | 2.0" | 9.57" | 5.55" | 6.6" | CCM15S |
| CM62F95-4 | 7.0" | 6.25" | 4.0" | 9.57" | 5.55" | 6.6" | CCM15S |
| CM90F95-1 | 10.5" | 9.75" | 1.0" | 9.57" | 9.05" | 6.6" | CCM18S |
| CM90F95-2 | 10.5" | 9.75" | 2.0" | 9.57" | 9.05" | 6.6" | CCM18S |
| CM90F95-4 | 10.5" | 9.75" | 4.0" | 9.57" | 9.05" | 6.6" | CCM18S |



Card Mount Module Plugboard™ sold separately

EIA
Subracks

