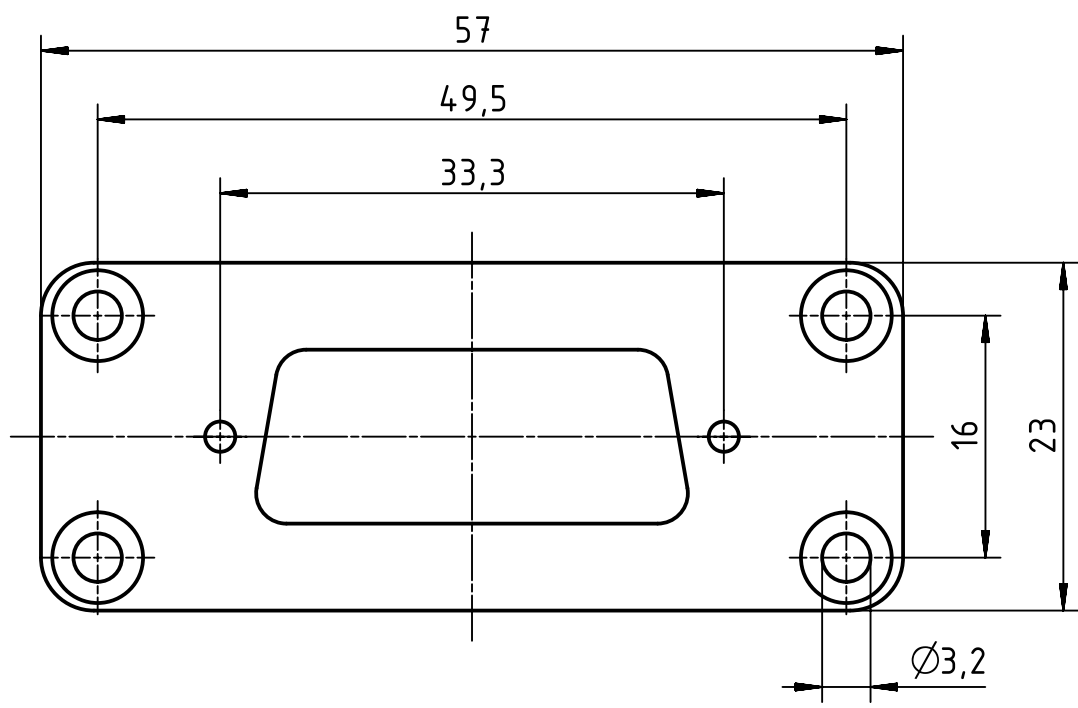
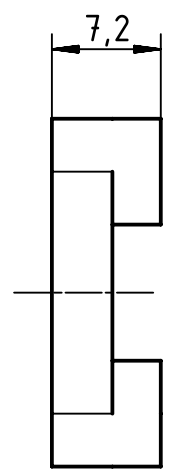
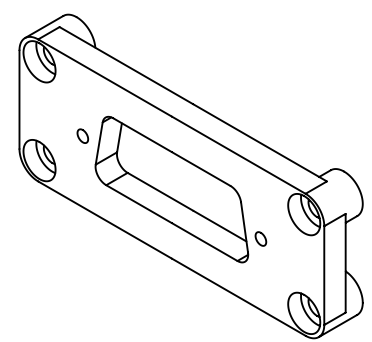


1 2 3 4 5 6

A
B
C
D



belongs to range of delivery:
2x screws ISO 1481-ST2,9x6,5-F
4x screws ISO 1207-M3x10



	All rights reserved Department EL PD - DE	All Dimensions in mm Original Size DIN A4		Scale 2:1	Free size tol.		Ref.	
		HARTING Electric GmbH & Co. KG D-32339 Espelkamp		Created by HARLASSK	Inspected by NICHTERLEIN	Standardisation RUETERA	Date 2017-09-21	State Final Release
Title Adapter Han 10A - D-Sub 15							Doc-Key / ECM-Nr. 100087167/UGD/007/A 500000125248	
Type TB				Number 09 20 000 9928			Rev. A	Page 1/1

Mouser Electronics

Authorized Distributor

Click to View Pricing, Inventory, Delivery & Lifecycle Information:

[HARTING:](#)

[09200009928](#)