

THIS DRAWING IS UNPUBLISHED. RELEASED FOR PUBLICATION SEP ,2005.  
 ALL RIGHTS RESERVED.

LOC	DIST	REVISIONS					
		P	LTR	DESCRIPTION	DATE	DWN	APVD
			R	REVISED PER ECR-11-006365	28MAR2011	A.L	S.Y


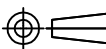
1 CONTACT COPLANALITY IS 0.1 MAX.  
 THIS DIMENSION MEANS CENTER OF THE POCKET.  
 M3 TAPPING + BVTP RECOMMENDED TORQUE: 68.6N (7Kgf) MAX.  
 FINISH  
 CONTACT: V μm MIN. Au PL. ON CONTACT AREA (V: SEE TABLE)  
 0.03~0.1 μm Au PL. ON TERMINAL AREA  
 Ni UNDER PL. ALL OVER  
 SHELL: Sn PL. (MATTE) ALL OVER  
 Ni UNDER PL. ALL OVER  
 SCREW SIZE  
 QTY PRINT ON THE LABEL. (EMBOSS PACKING)

1 コンタクトコプラナリティーは 0.1 以下。  
 本寸法はポケットの中心を表す。  
 M3 TAPPING + BVTP 推奨トルク: 68.6N (7Kgf) 以下。  
 仕上  
 コンタクト: コンタクトエリアに V μm 以上の 金めっき (V: 表参照)  
 ターミナルエリアに 0.03~0.1 μm の金めっき  
 ニッケル下地めっきを施す  
 シェル: すずめっき (つや消し)  
 ニッケル下地めっきを施す  
 スクリューサイズ  
 数量はラベルに印字される (EMBOSS 梱包)

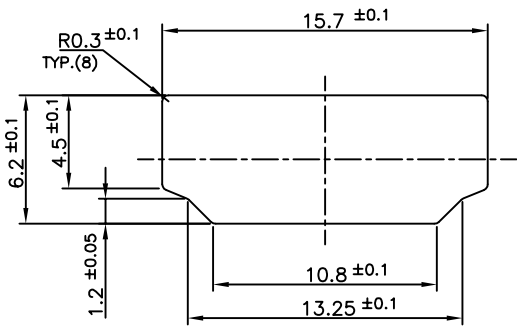
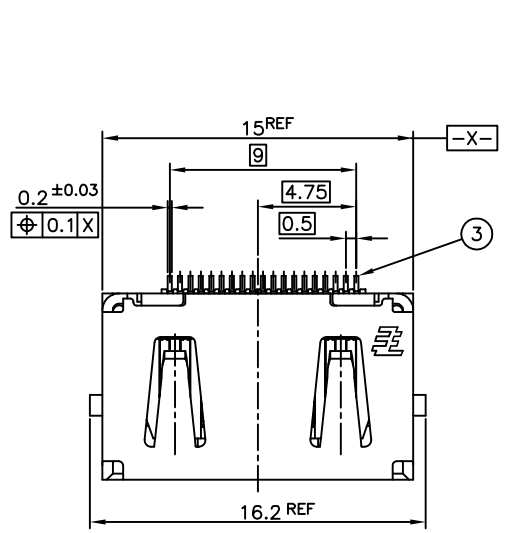
0.3	-	70	1.9	-	-	-	-	33.5	37.5	9.32	0.4	32	28.4	14.2	16	WITHOUT TAPE	WITHOUT FLANGE	THROUGH HOLE	(SEE SHEET 2)	SOFT TRAY (SEE SHEET 11)	6-1903015-3
0.76	M3 x 0.5	70	1.9	46	138	6-23	46	-	-	-	-	-	-	-	-	WITH TAPE	WITH FLANGE	THROUGH HOLE	(SEE SHEET 3)	SOFT TRAY (SEE SHEET 7)	9-1903015-4
0.3	M3 x 0.5	200	1.9	-	-	-	-	45.5	49.5	18.3	0.5	44	40.4	20.2	20	WITH TAPE	WITH FLANGE	THROUGH HOLE	(SEE SHEET 3)	EMBOSS (SEE SHEET 6)	9-1903015-3
0.3	M3 x 0.5	70	1.9	-	-	-	-	-	-	-	-	-	-	-	-	WITHOUT TAPE	WITH FLANGE	THROUGH HOLE	(SEE SHEET 3)	SOFT TRAY (SEE SHEET 10)	8-1903015-4
0.1	-	550	1.9	-	-	-	-	33.5	37.5	9.32	0.4	32	28.4	14.2	16	WITHOUT TAPE	WITHOUT FLANGE	THROUGH HOLE	(SEE SHEET 2)	EMBOSS (SEE SHEET 6)	7-1903015-1
0.3	M3 x 0.5	200	1.9	-	-	-	-	45.5	49.5	18.3	0.5	44	40.4	20.2	20	WITHOUT TAPE	WITH FLANGE	FULL SMT	(SEE SHEET 5)	EMBOSS (SEE SHEET 6)	5-1903015-9
0.3	-	550	0.8	-	-	-	-	33.5	37.5	9.32	0.4	32	28.4	14.2	16	WITHOUT TAPE	WITHOUT FLANGE	THROUGH HOLE	(SEE SHEET 2)	EMBOSS (SEE SHEET 6)	5-1903015-5
0.3	M3 x 0.5	70	1.9	46	138	6-23	46	-	-	-	-	-	-	-	-	WITHOUT TAPE	WITH FLANGE	THROUGH HOLE	(SEE SHEET 3)	SOFT TRAY (SEE SHEET 7)	5-1903015-4
0.3	M3 x 0.5	200	1.9	-	-	-	-	45.5	49.5	18.3	0.5	44	40.4	20.2	20	WITHOUT TAPE	WITH FLANGE	THROUGH HOLE	(SEE SHEET 3)	EMBOSS (SEE SHEET 6)	5-1903015-3
0.3	∅2.65±0.3	70	1.9	46	138	6-23	46	-	-	-	-	-	-	-	-	WITHOUT TAPE	WITH FLANGE	THROUGH HOLE	(SEE SHEET 3)	SOFT TRAY (SEE SHEET 7)	5-1903015-2
0.3	-	400	1.9	-	-	-	-	33.5	37.5	9.32	0.4	32	28.4	14.2	16	WITHOUT TAPE	WITHOUT FLANGE	THROUGH HOLE	(SEE SHEET 2)	EMBOSS (SEE SHEET 6)	5-1903015-1
0.3	M3 x 0.5	70	1.0	46	138	6-23	46	-	-	-	-	-	-	-	-	WITHOUT TAPE	WITH FLANGE	THROUGH HOLE	(SEE SHEET 3)	SOFT TRAY (SEE SHEET 7)	4-1903015-1
0.76	-	400	1.2	-	-	-	-	33.5	37.5	9.32	0.4	32	28.4	14.2	16	WITHOUT TAPE	WITHOUT FLANGE	THROUGH HOLE	(SEE SHEET 2)	EMBOSS (SEE SHEET 6)	2-1903015-2
0.76	M3 x 0.5	70	1.9	-	-	-	-	-	-	-	-	-	-	-	-	WITHOUT TAPE	WITH FLANGE	THROUGH HOLE	(SEE SHEET 3)	SOFT TRAY (SEE SHEET 9)	1903015-8
0.76	∅2.65±0.3	70	1.9	-	-	-	-	-	-	-	-	-	-	-	-	WITHOUT TAPE	WITH FLANGE	THROUGH HOLE	(SEE SHEET 3)	SOFT TRAY (SEE SHEET 9)	1903015-7
0.76	M3 x 0.5	50	1.9	54.4	120	4-30	54.4	-	-	-	-	-	-	-	-	WITHOUT TAPE	WITH FLANGE	THROUGH HOLE	(SEE SHEET 3)	SOFT TRAY (SEE SHEET 9)	1903015-5
0.76	M3 x 0.5	70	1.9	46	138	6-23	46	-	-	-	-	-	-	-	-	WITHOUT TAPE	WITH FLANGE	THROUGH HOLE	(SEE SHEET 4)	SOFT TRAY (SEE SHEET 8)	1903015-4
0.76	M3 x 0.5	200	1.9	-	-	-	-	45.5	49.5	18.3	0.5	44	40.4	20.2	20	WITHOUT TAPE	WITH FLANGE	THROUGH HOLE	(SEE SHEET 4)	EMBOSS (SEE SHEET 6)	1903015-3
0.76	∅2.65±0.3	70	1.9	46	138	6-23	46	-	-	-	-	-	-	-	-	WITHOUT TAPE	WITH FLANGE	THROUGH HOLE	(SEE SHEET 3)	SOFT TRAY (SEE SHEET 7)	1903015-2
0.76	-	400	1.9	-	-	-	-	33.5	37.5	9.32	0.4	32	28.4	14.2	16	WITHOUT TAPE	WITHOUT FLANGE	THROUGH HOLE	(SEE SHEET 2)	EMBOSS (SEE SHEET 6)	1903015-1
V	U	T	AA	S	R	P	N	M	L	K	J	H	G	F	E	POLYIMIDE TAPE	FLANGE	SHELL TYPE	CONNECTOR	PACKING	PART NUMBER

Au PL. SCREW SIZE QTY DIMENSION PART LIST

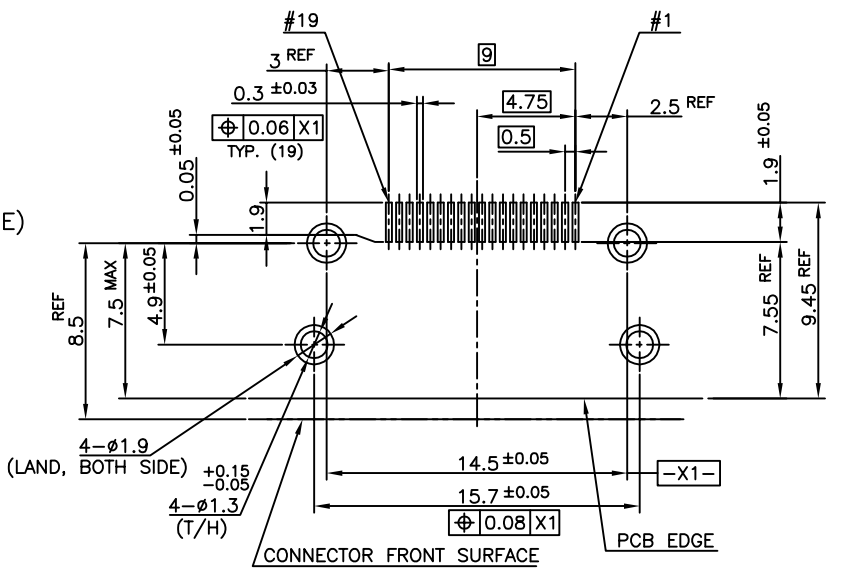
THIS DRAWING IS A CONTROLLED DOCUMENT.

DIMENSIONS: 単位: 話 mm	TOLERANCES UNLESS OTHERWISE SPECIFIED: 一般公差	DWN R.MURAYAMA 26SEP2005	 <b>TE Connectivity</b>	
	0 PLC ± 1 PLC ± 2 PLC ± 3 PLC ± 4 PLC ± ANGLES ±	CHK T.KIMURA 26SEP2005		NAME 名称 <b>HDMI 19 POS RECEPTACLE ASSY            SMT SHORT TYPE</b>
		APVD T.KIMURA 26SEP2005		
MATERIAL 材料	FINISH 仕上	PRODUCT SPEC 製品規格 <b>108-78180-2</b>	SIZE CAGE CODE DRAWING NO 番号 <b>A3 00779 C=1903015</b>	
CUSTOMER DRAWING		APPLICATION SPEC 取付適用規格	SCALE 尺度 <b>4:1</b> SHEET <b>1 OF 12</b> REV <b>R</b>	

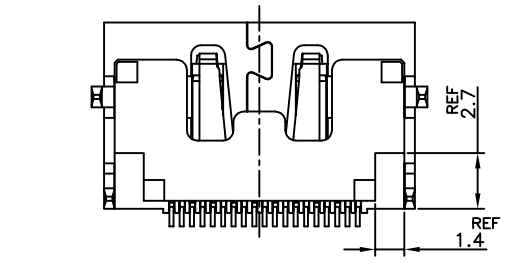
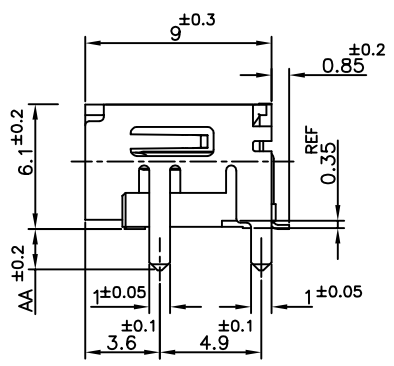
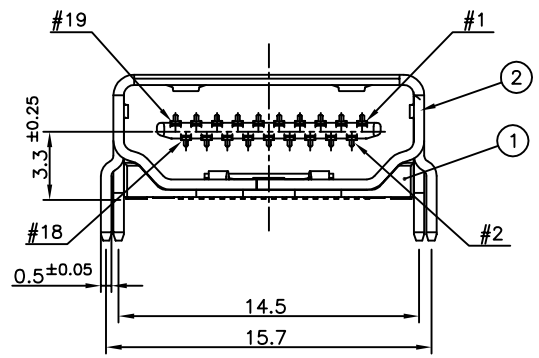
LOC	DIST	REVISIONS				
		P	LTR	DATE	DWN	APVD
		SEE SHEET 1				



PANEL CUT OUT DIMENSION (REFERENCE)



P.C.B LAYOUT (REFERENCE)  
SHOWN AS CONNECTOR MOUNTING SIDE  
TOLERANCE: NON-CUMULATIVE

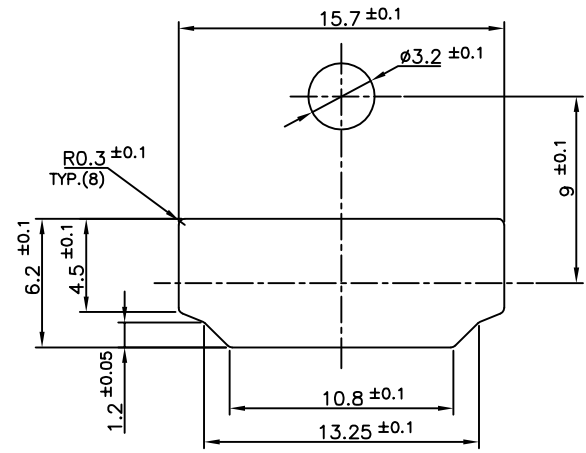
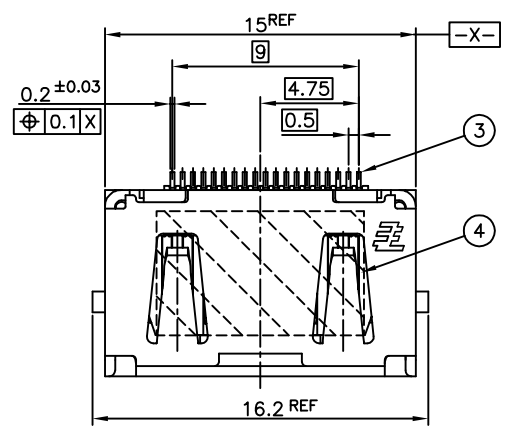


CONNECTOR: WITHOUT FLANGE THROUGH HOLE TYPE

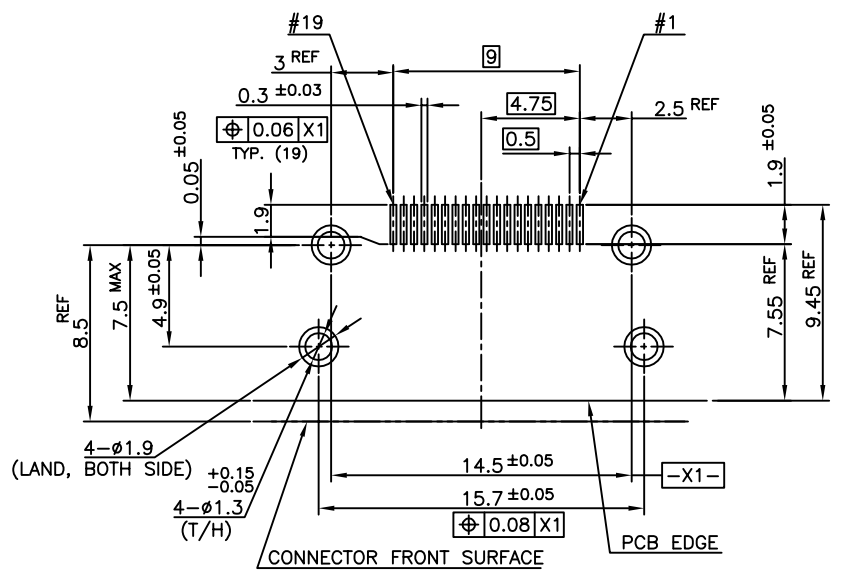
BRASS	CONTACT	(3)
PHOSPHOR BRONZE	SHELL	(2)
GLASS FILLED LCP UL94V-0, BLACK COLOR	HOUSING	(1)
MATERIAL	DESCRIPTION	ITEM

THIS DRAWING IS A CONTROLLED DOCUMENT.		DWN		TE Connectivity NAME 名称 HDMI 19 POS RECEPTACLE ASSY SMT SHORT TYPE	
DIMENSIONS: 單位: 毫米 mm		CHK			
TOLERANCES UNLESS OTHERWISE SPECIFIED: 一般公差		APVD		DRAWING NO 圖號 A300779 C=1903015	
0 PLC ±		PRODUCT SPEC 製品規格		RESTRICTED TO 限制	
1 PLC ±		APPLICATION SPEC 取付適用規格		SCALE 尺度 4:1	
2 PLC ±		WEIGHT		SHEET 2 OF 12	
3 PLC ±		CUSTOMER DRAWING		REV R	
4 PLC ±					
ANGLES ±					
FINISH 仕上					

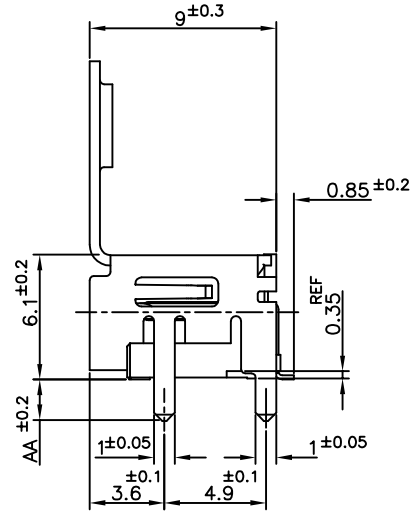
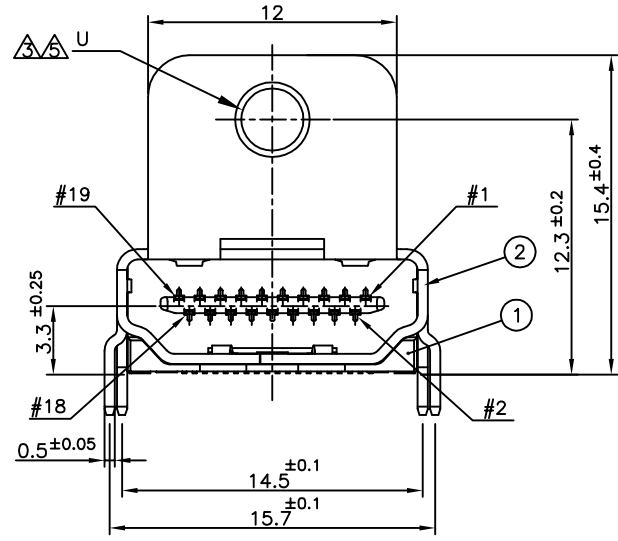
LOC	DIST	REVISIONS				
		P	LTR	DATE	DWN	APVD
		-	-	SEE SHEET 1	-	-



PANEL CUT OUT DIMENSION (REFERENCE)

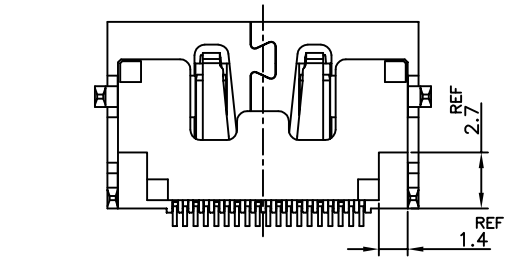


P.C.B LAYOUT (REFERENCE)  
SHOWN AS CONNECTOR MOUNTING SIDE  
TOLERANCE: NON-CUMULATIVE



CONNECTOR: WITH FLANGE THROUGH HOLE TYPE

MATERIAL	DESCRIPTION	ITEM
POLYIMIDE	TAPE	④
BRASS	CONTACT	③
PHOSPHOR BRONZE	SHELL	②
GLASS FILLED LCP UL94V-0, BLACK COLOR	HOUSING	①



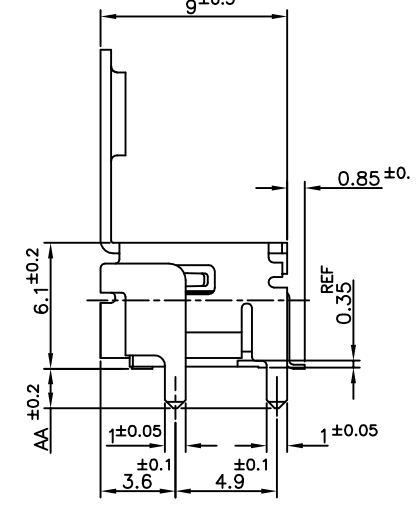
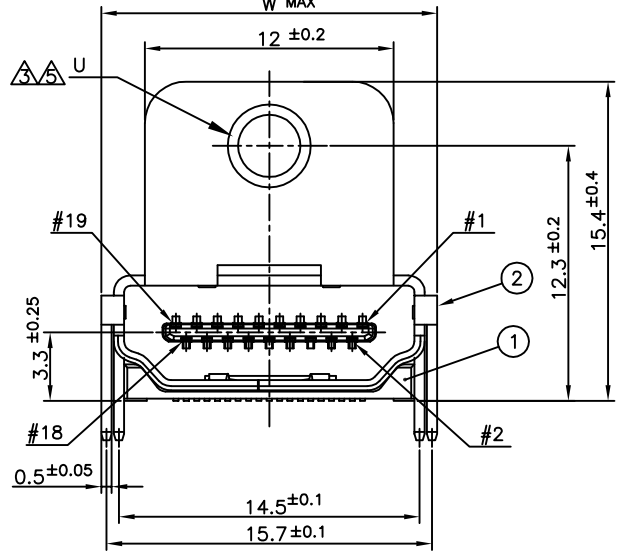
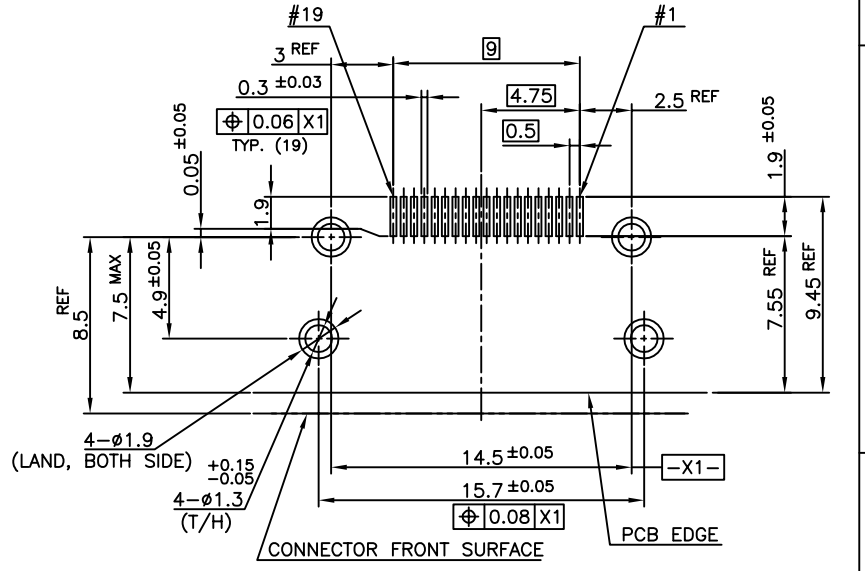
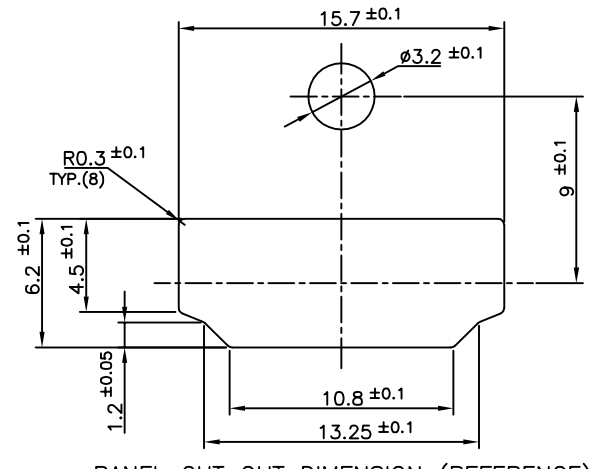
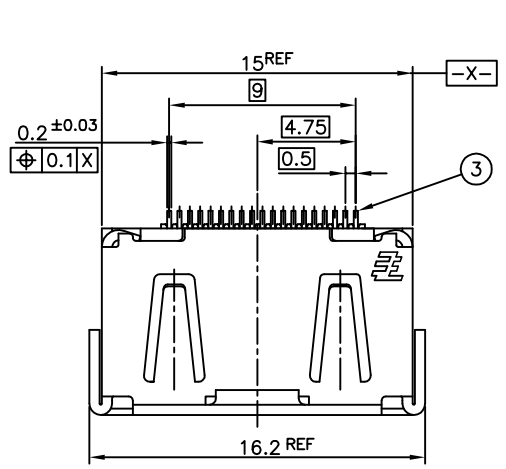
THIS DRAWING IS A CONTROLLED DOCUMENT.

DIMENSIONS: 單位: 毫米 mm	TOLERANCES UNLESS OTHERWISE SPECIFIED: 一般公差	DWN	CHK	APVD	NAME 名稱
0 PLC ±	1 PLC ±	PRODUCT SPEC 製品規格	HDMI 19 POS RECEPTACLE ASSY SMT SHORT TYPE		
2 PLC ±	3 PLC ±	APPLICATION SPEC 取付適用規格	WEIGHT	SIZE A3	CAGE CODE 00779
4 PLC ±	ANGLES ±	MATERIAL 材料	CUSTOMER DRAWING	DRAWING NO C=1903015	RESTRICTED TO
FINISH 仕上				SCALE 尺度 4:1	SHEET 3 OF 12

TE Connectivity

THIS DRAWING IS UNPUBLISHED. RELEASED FOR PUBLICATION SEP, 2005. ALL RIGHTS RESERVED.

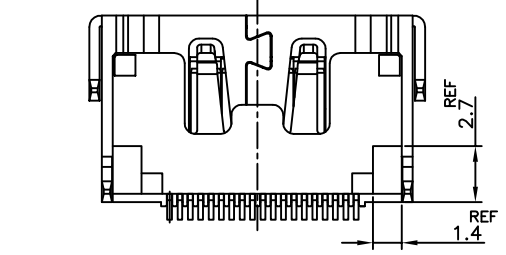
LOC	DIST	REVISIONS				
		P	LTR	DATE	DWN	APVD
		SEE SHEET 1				



P.C.B LAYOUT (REFERENCE)  
SHOWN AS CONNECTOR MOUNTING SIDE  
TOLERANCE: NON-CUMULATIVE

POLYIMIDE	TAPE	(4)
BRASS	CONTACT	(3)
PHOSPHOR BRONZE	SHELL	(2)
GLASS FILLED LCP UL94V-0, BLACK COLOR	HOUSING	(1)
MATERIAL	DESCRIPTION	ITEM

CONNECTOR: WITH FLANGE THROUGH HOLE TYPE



THIS DRAWING IS A CONTROLLED DOCUMENT.

DIMENSIONS: 單位: 毫米 mm	TOLERANCES UNLESS OTHERWISE SPECIFIED: 一般公差	DWN	TE Connectivity			
	0 PLC ±	CHK	<b>HDMI 19 POS RECEPTACLE ASSY</b> <b>SMT SHORT TYPE</b>			
	1 PLC ±	APVD				
	2 PLC ±	PRODUCT SPEC 製品規格				
	3 PLC ±	APPLICATION SPEC 取付適用規格				
4 PLC ANGLES ±	FINISH 仕上	WEIGHT	SIZE	CAGE CODE	DRAWING NO 番号	RESTRICTED TO
MATERIAL 材料		CUSTOMER DRAWING	A3	00779	G=1903015	
			SCALE 尺度	4:1	SHEET 4 OF 12	REV R

THIS DRAWING IS UNPUBLISHED.

RELEASED FOR PUBLICATION

SEP ,2005.

© COPYRIGHT 2005 By -

ALL RIGHTS RESERVED.

LOC DIST

REVISIONS

変更

DESCRIPTION

DATE

DWN

APVD

P

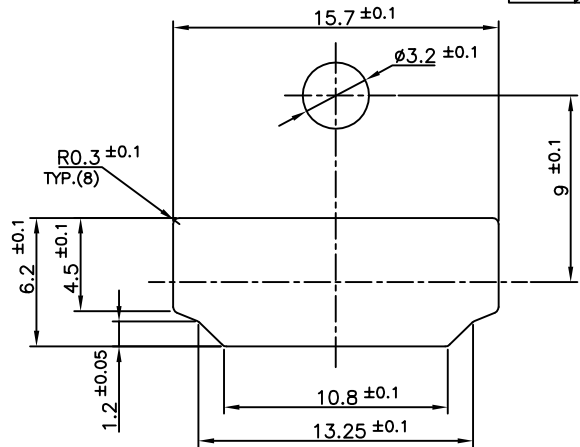
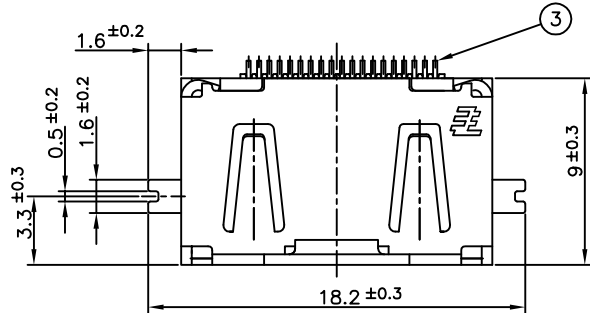
LTR

SEE SHEET 1

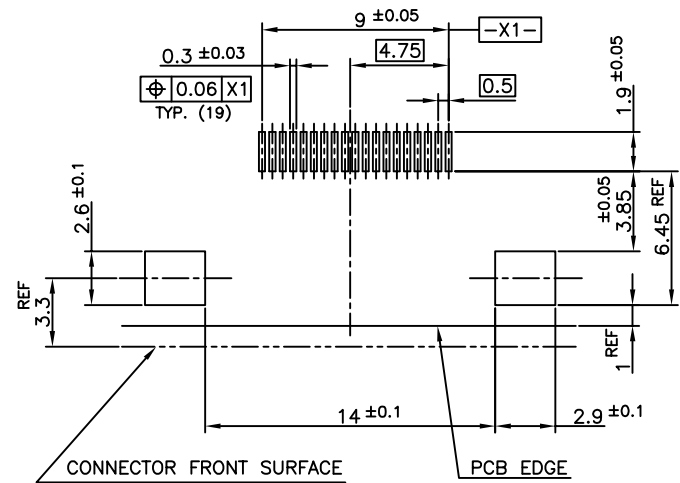
-

-

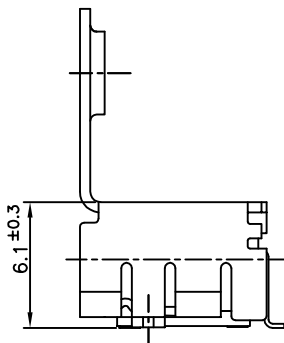
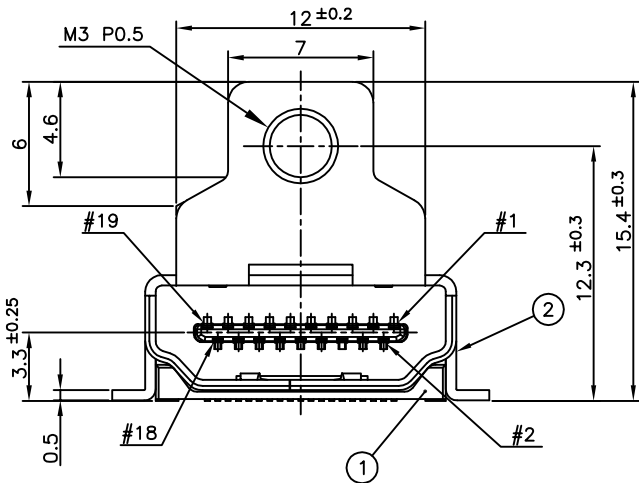
-



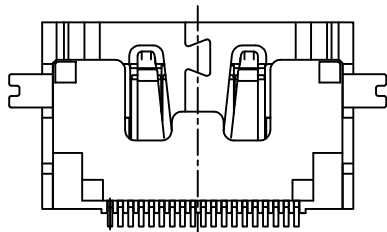
PANEL CUT OUT DIMENSION (REFERENCE)



P.C.B LAYOUT (REFERENCE)  
SHOWN AS CONNECTOR MOUNTING SIDE  
TOLERANCE: NON-CUMULATIVE



CONNECTOR: WITH FLANGE FULL SMT TYPE



BRASS	CONTACT	③
PHOSPHOR BRONZE	SHELL	②
GLASS FILLED LCP UL94V-0, BLACK COLOR	HOUSING	①
MATERIAL	DESCRIPTION	ITEM

THIS DRAWING IS A CONTROLLED DOCUMENT.

DIMENSIONS: 單位: 毫米 mm

TOLERANCES UNLESS OTHERWISE SPECIFIED: 一般公差

0 PLC ±	1 PLC ±	2 PLC ±	3 PLC ±	4 PLC ±	ANGLES ±	FINISH 仕上
---------	---------	---------	---------	---------	----------	-----------

MATERIAL 材料

DWN

CHK

APVD

PRODUCT SPEC 製品規格

APPLICATION SPEC 取付適用規格

WEIGHT

CUSTOMER DRAWING

NAME 名称: HDMI 19 POS RECEPTACLE ASSY SMT SHORT TYPE

SIZE: A3, CAGE CODE: 00779, DRAWING NO: C=1903015

RESTRICTED TO

SCALE 尺度: 4:1, SHEET 5 of 12, REV R

TE Connectivity

4

3

2

1

THIS DRAWING IS UNPUBLISHED.

RELEASED FOR PUBLICATION

SEP, 2005.

© COPYRIGHT 2005 By -

ALL RIGHTS RESERVED.

1903015-1, 2-1903015-2, 5-1903015-1  
5-1903015-5, 7-1903015-1; AS SHOWN

LOC DIST

REVISIONS

変更

DESCRIPTION

DATE

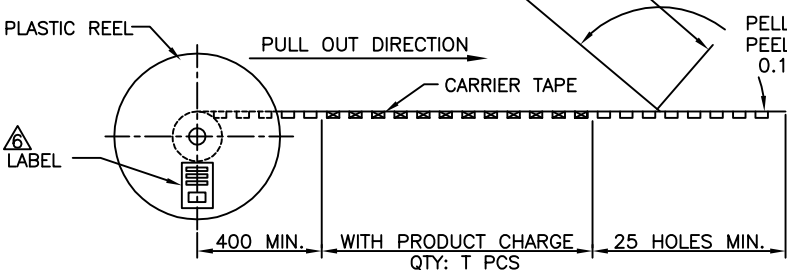
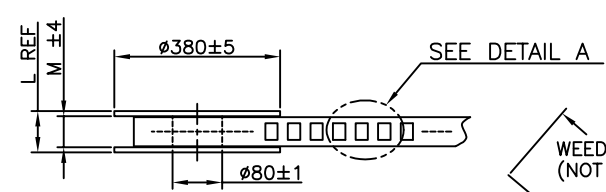
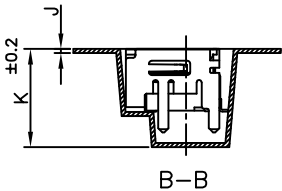
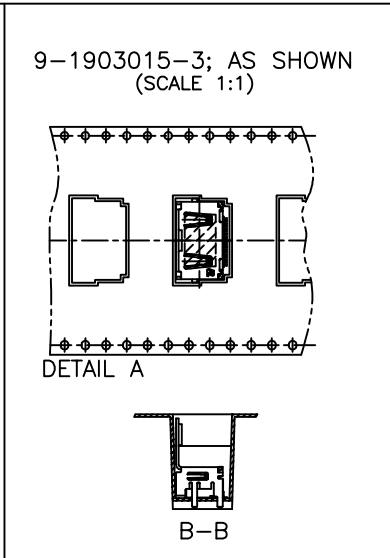
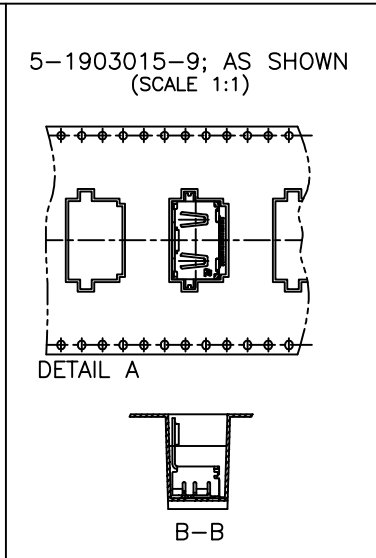
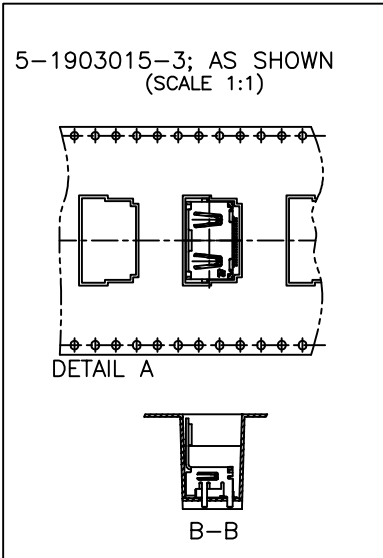
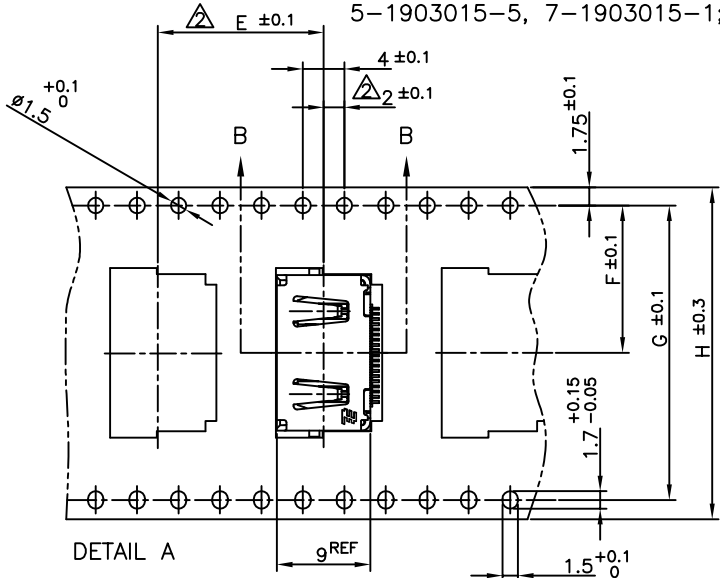
DWN

APVD

P

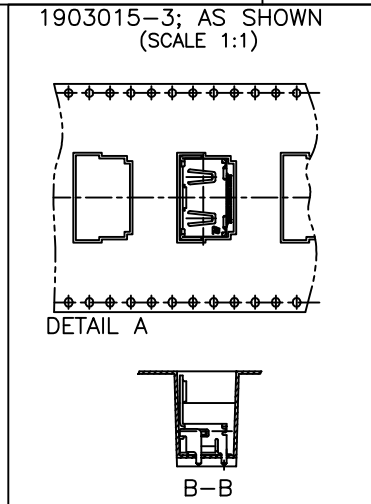
LTR

SEE SHEET 1



WEEDING THE COVER TAPE: 300 MIN (NOT INCLUDE EMPTINESS POCKET)  
PELLING ANGLE: 165°~180°  
PEELING STRENGTH: 0.1~0.7N (300mm/min.)

△ LABEL DESCRIPTION  
TYCO P/N: \*-1903015-\*  
QTY: \* pcs  
D/C: MADE IN CHINA



PET	COVER TAPE
PS	CARRIER TAPE
PLASTIC	REEL
MATERIAL	DESCRIPTION

THIS DRAWING IS A CONTROLLED DOCUMENT.

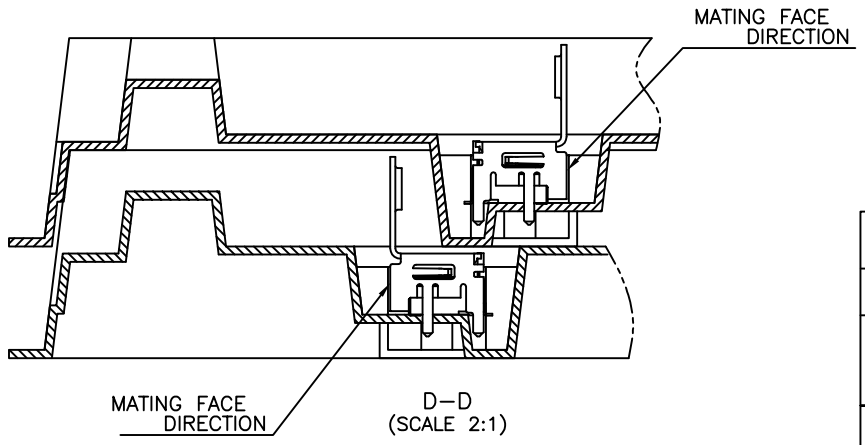
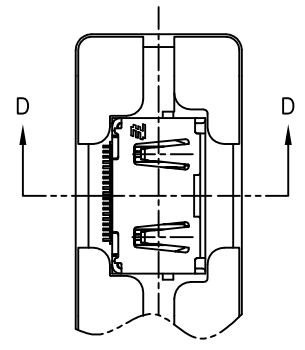
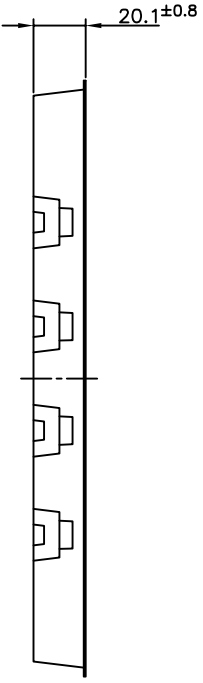
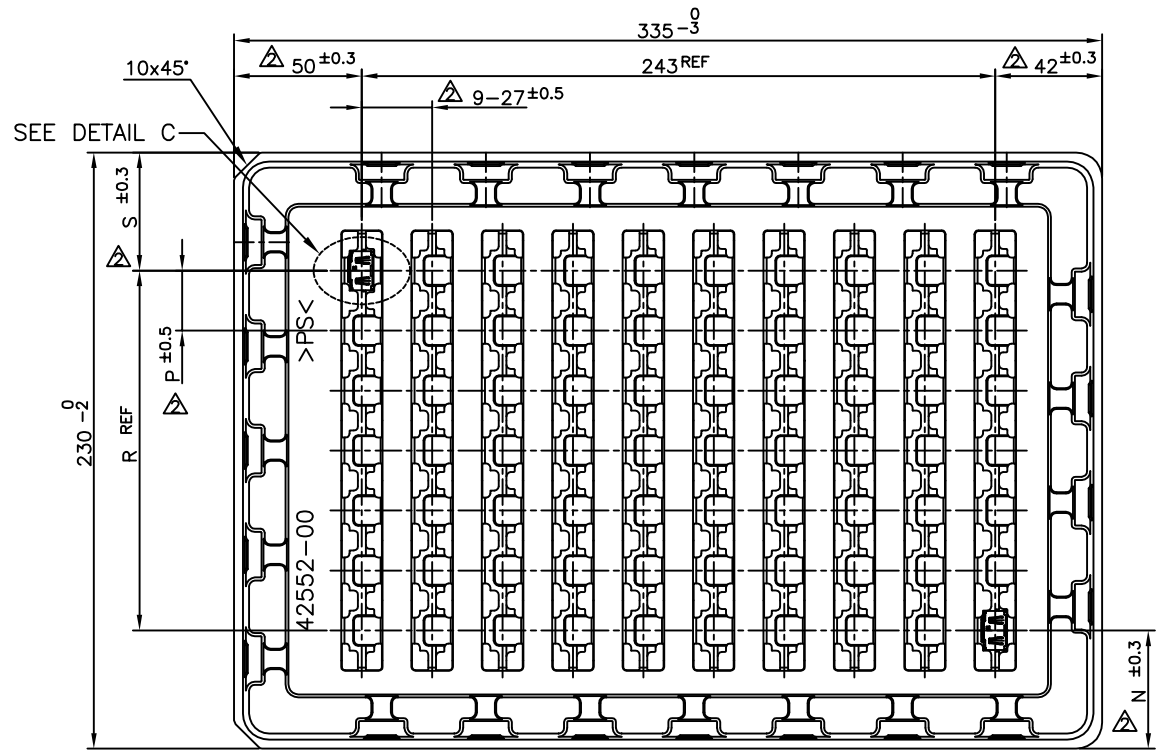
DIMENSIONS: 單位: 毫米 mm	TOLERANCES UNLESS OTHERWISE SPECIFIED: 一般公差	DWN	CHK	APVD	NAME 名稱
0 PLC ±	1 PLC ±	PRODUCT SPEC 製品規格	HDMI 19 POS RECEPTACLE ASSY SMT SHORT TYPE		
2 PLC ±	3 PLC ±	APPLICATION SPEC 取付適用規格	SIZE	CAGE CODE	DRAWING NO 番号
4 PLC ±	ANGLES ±	WEIGHT	A3	00779	G=1903015
MATERIAL 材料	FINISH 仕上	CUSTOMER DRAWING	SCALE 尺度	SHEET 6 of 12	REV R

RESTRICTED TO

THIS DRAWING IS UNPUBLISHED. RELEASED FOR PUBLICATION SEP ,2005. ALL RIGHTS RESERVED.

LOC		DIST		REVISIONS			DATE	DWN	APVD
				変更					
P	LTR	DESCRIPTION							
-	-	SEE SHEET 1			-	-	-	-	-

1903015-2, 1903015-5, 4-1903015-1, 5-1903015-2, 5-1903015-4  
8-1903015-4, 9-1903015-4; AS SHOWN



THIS DRAWING IS A CONTROLLED DOCUMENT.		DWN		PS MATERIAL		TE Connectivity		CHK		APVD		NAME 名称		HDMI 19 POS RECEPTACLE ASSY SMT SHORT TYPE	
DIMENSIONS: 單位: 話 mm		TOLERANCES UNLESS OTHERWISE SPECIFIED: 一般公差		PRODUCT SPEC 製品規格		APPLICATION SPEC 取付適用規格		WEIGHT		SIZE		CAGE CODE		DRAWING NO 番号	
MATERIAL 材料		FINISH 仕上		CUSTOMER DRAWING		SCALE 尺度 4:1		SHEET 7 of 12		REV R		RESTRICTED TO		A3 00779 C=1903015	
0 PLC ±		1 PLC ±		2 PLC ±		3 PLC ±		4 PLC ±		ANGLES ±					

THIS DRAWING IS UNPUBLISHED.

RELEASED FOR PUBLICATION

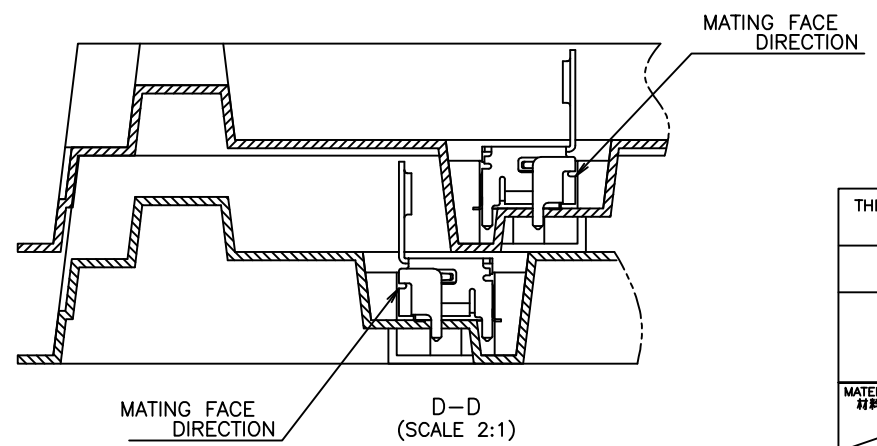
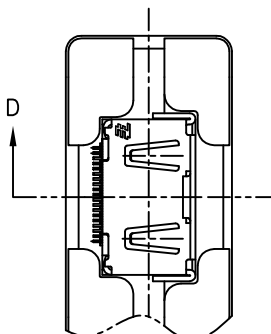
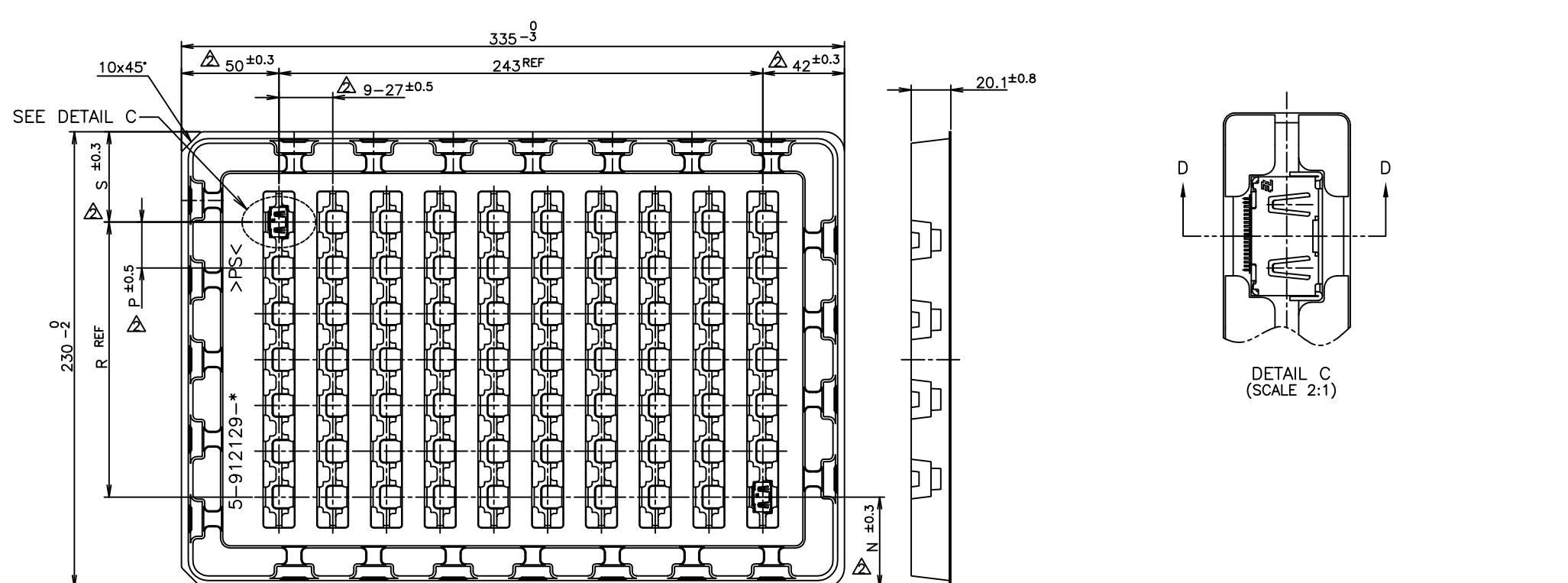
SEP, 2005.

© COPYRIGHT 2005 By -

ALL RIGHTS RESERVED.

1903015-4; AS SHOWN

LOC	DIST	REVISIONS				
		変更		DATE	DWN	APVD
		P	LTR	DESCRIPTION		
		-	-	SEE SHEET 1	-	-



THIS DRAWING IS A CONTROLLED DOCUMENT.		DWN		TE Connectivity	
DIMENSIONS: 單位: 話 mm		TOLERANCES UNLESS OTHERWISE SPECIFIED: 一般公差		NAME 名稱	
<ul style="list-style-type: none"> <li>0 PLC ±</li> <li>1 PLC ±</li> <li>2 PLC ±</li> <li>3 PLC ±</li> <li>4 PLC ±</li> <li>ANGLES ±</li> </ul>		FINISH 仕上		HDMI 19 POS RECEPTACLE ASSY SMT SHORT TYPE	
MATERIAL 材料		APVD		SIZE CAGE CODE DRAWING NO 番号	
		PRODUCT SPEC 製品規格		A3 00779 C=1903015	
		APPLICATION SPEC 取付適用規格		RESTRICTED TO	
		WEIGHT		SCALE 4:1 SHEET 8 OF 12 REV R	
		CUSTOMER DRAWING			



THIS DRAWING IS UNPUBLISHED.

RELEASED FOR PUBLICATION

SEP, 2005.

© COPYRIGHT 2005 By -

ALL RIGHTS RESERVED.

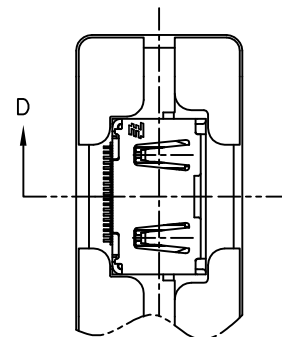
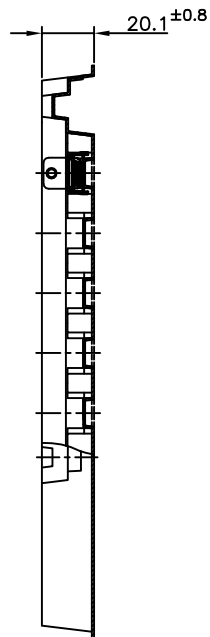
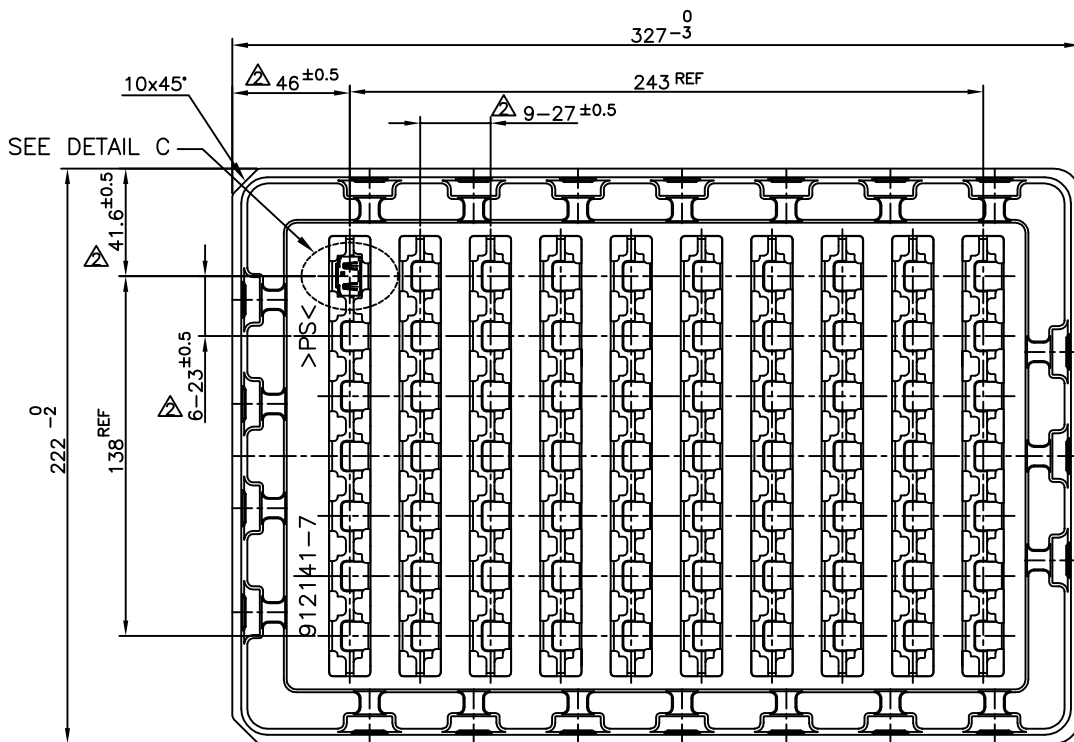
1903015-7, 1903015-8; AS SHOWN

LOC	DIST
-	-

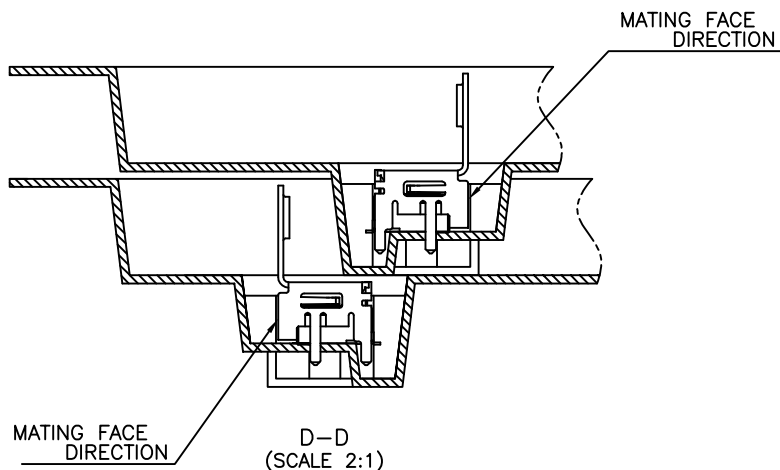
REVISIONS

変更

P	LTR	DESCRIPTION	DATE	DWN	APVD
-	-	SEE SHEET 1	-	-	-



DETAIL C (SCALE 2:1)



THIS DRAWING IS A CONTROLLED DOCUMENT.		DWN		TE Connectivity																							
DIMENSIONS: 單位: 毫米 mm		TOLERANCES UNLESS OTHERWISE SPECIFIED: 一般公差		NAME 名稱																							
<table border="1"> <tr><td>0 PLC</td><td>±</td></tr> <tr><td>1 PLC</td><td>±</td></tr> <tr><td>2 PLC</td><td>±</td></tr> <tr><td>3 PLC</td><td>±</td></tr> <tr><td>4 PLC</td><td>±</td></tr> <tr><td>ANGLES</td><td>±</td></tr> </table>		0 PLC	±	1 PLC	±	2 PLC	±	3 PLC	±	4 PLC	±	ANGLES	±	<table border="1"> <tr><td>CHK</td><td></td></tr> <tr><td>APVD</td><td></td></tr> <tr><td>PRODUCT SPEC 製品規格</td><td></td></tr> <tr><td>APPLICATION SPEC 取付適用規格</td><td></td></tr> <tr><td>WEIGHT</td><td></td></tr> </table>		CHK		APVD		PRODUCT SPEC 製品規格		APPLICATION SPEC 取付適用規格		WEIGHT		HDMI 19 POS RECEPTACLE ASSY SMT SHORT TYPE	
0 PLC	±																										
1 PLC	±																										
2 PLC	±																										
3 PLC	±																										
4 PLC	±																										
ANGLES	±																										
CHK																											
APVD																											
PRODUCT SPEC 製品規格																											
APPLICATION SPEC 取付適用規格																											
WEIGHT																											
MATERIAL 材料		FINISH 仕上		SIZE CAGE CODE DRAWING NO 番号																							
				A3 00779 C=1903015																							
		CUSTOMER DRAWING		RESTRICTED TO																							
		SCALE 尺度 4:1		SHEET 9 of 12																							
				REV R																							

THIS DRAWING IS UNPUBLISHED.

RELEASED FOR PUBLICATION

SEP, 2005.

ALL RIGHTS RESERVED.

© COPYRIGHT 2005 By -

LOC	DIST
-	-

REVISIONS

変更

DESCRIPTION

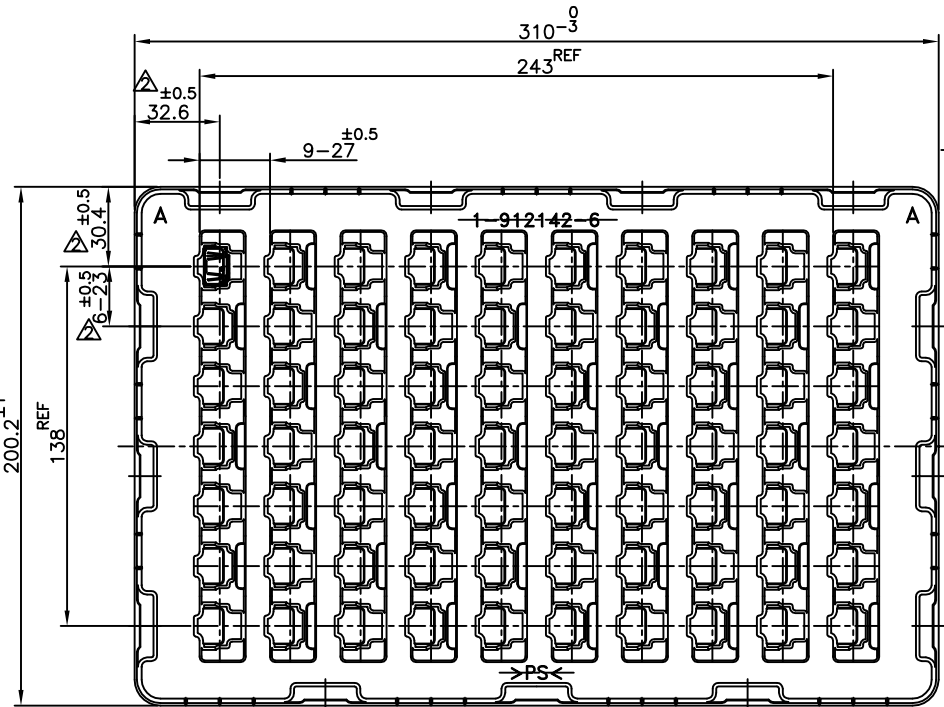
DATE

DWN

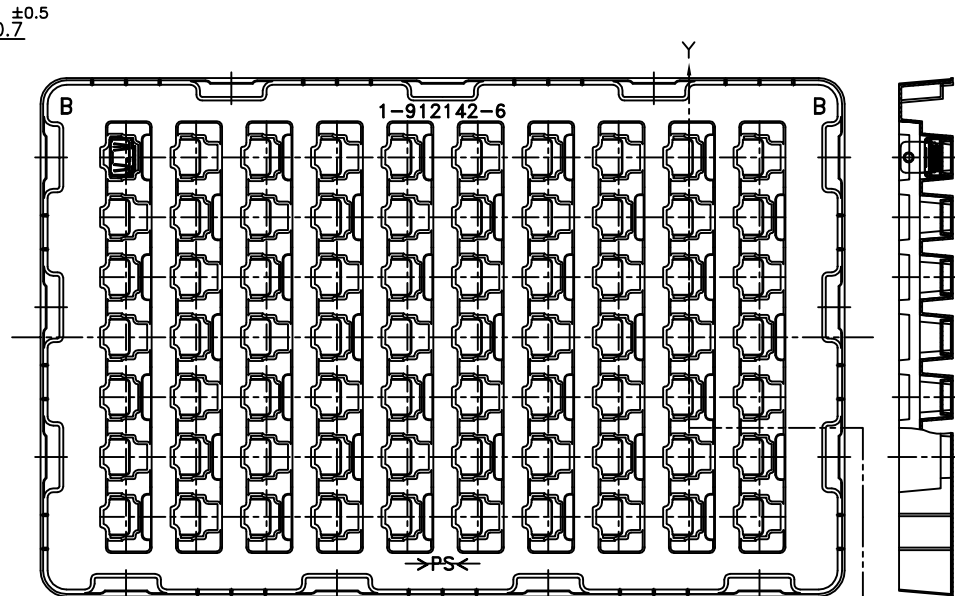
APVD

SEE SHEET 1

8-1903015-4; AS SHOWN

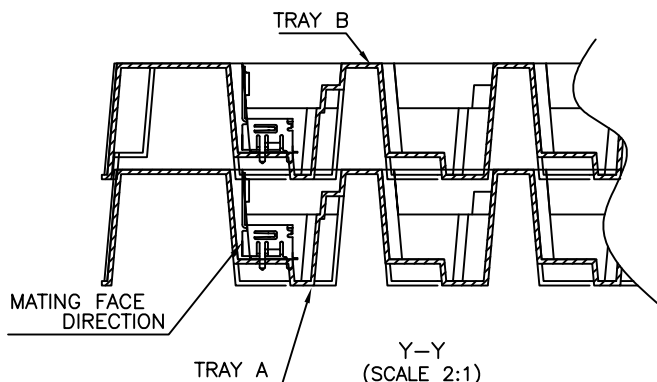
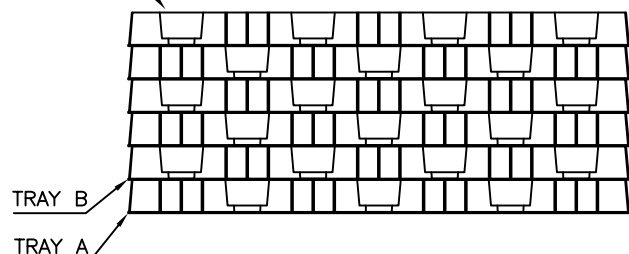


TRAY A



TRAY B

TRAY B (EMPTY)



Y-Y (SCALE 2:1)

PS	TRAY
MATERIAL	DESCRIPTION

THIS DRAWING IS A CONTROLLED DOCUMENT.

DIMENSIONS: 單位: 話 mm	TOLERANCES UNLESS OTHERWISE SPECIFIED: 一般公差	DWN	TE Connectivity												
<table border="1"> <tr><td>0 PLC</td><td>±</td></tr> <tr><td>1 PLC</td><td>±</td></tr> <tr><td>2 PLC</td><td>±</td></tr> <tr><td>3 PLC</td><td>±</td></tr> <tr><td>4 PLC</td><td>±</td></tr> <tr><td>4 PLC ANGLES</td><td>±</td></tr> </table>	0 PLC	±		1 PLC	±	2 PLC	±	3 PLC	±	4 PLC	±	4 PLC ANGLES	±	FINISH 仕上	CHK
0 PLC	±														
1 PLC	±														
2 PLC	±														
3 PLC	±														
4 PLC	±														
4 PLC ANGLES	±														
MATERIAL 材料		APVD	HDMI 19 POS RECEPTACLE ASSY SMT SHORT TYPE												
		PRODUCT SPEC 製品規格	SIZE CAGE CODE DRAWING NO A3 00779 C=1903015												
		APPLICATION SPEC 取付適用規格	RESTRICTED TO 番号												
		WEIGHT	SCALE 尺度 4:1												
		CUSTOMER DRAWING	SHEET 10 OF 12												
			REV R												

4

3

2

1

THIS DRAWING IS UNPUBLISHED.

RELEASED FOR PUBLICATION

SEP ,2005.

© COPYRIGHT 2005 By -

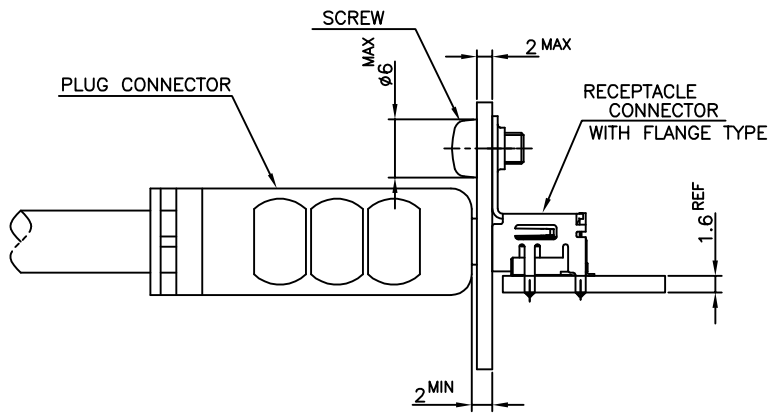
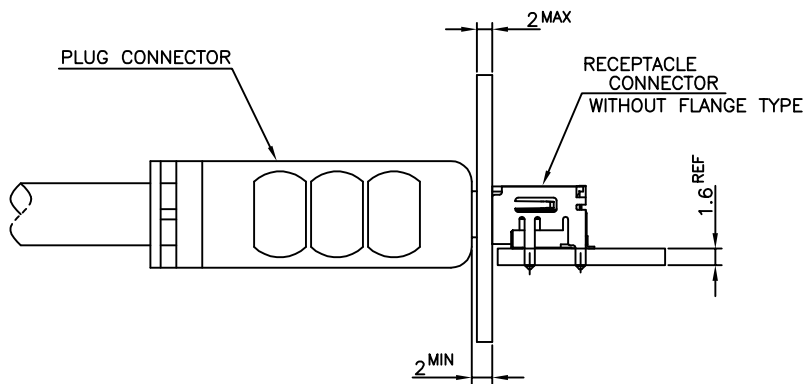
ALL RIGHTS RESERVED.

LOC	DIST
-	-

REVISIONS

変更

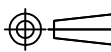
P	LTR	DESCRIPTION	DATE	DWN	APVD
-	-	SEE SHEET 1	-	-	-



MATING CONDITION (REFERENCE)  
(SCALE 2:1)

THIS DRAWING IS A CONTROLLED DOCUMENT.

DIMENSIONS:  
單位: 毫米  
mm



MATERIAL  
材料

TOLERANCES UNLESS OTHERWISE SPECIFIED:  
一般公差

- 0 PLC ±
- 1 PLC ±
- 2 PLC ±
- 3 PLC ±
- 4 PLC ±
- ANGLES ±

FINISH  
仕上

DWN
CHK
APVD
PRODUCT SPEC 製品規格
APPLICATION SPEC 取付適用規格
WEIGHT



TE Connectivity

NAME  
名称  
HDMI 19 POS RECEPTACLE ASSY  
SMT SHORT TYPE

SIZE A3	CAGE CODE 00779	DRAWING NO 番号 G=1903015	RESTRICTED TO
------------	--------------------	-------------------------------	---------------

CUSTOMER DRAWING

SCALE  
尺度 4:1

SHEET  
11 OF 12

REV  
R

THIS DRAWING IS PUBLISHED.

NOT BASED FOR PUBLICATION

SEP., 2005.

© COPYRIGHT 2005. By -

ALL RIGHTS RESERVED.

LOC

DIST

REV

DATE

DWN

APVD

P

LTR

DESCRIPTION

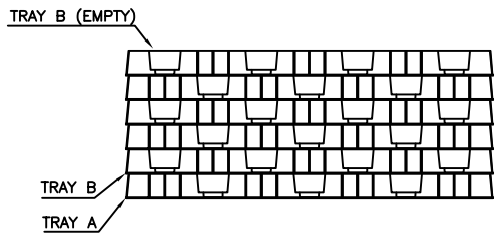
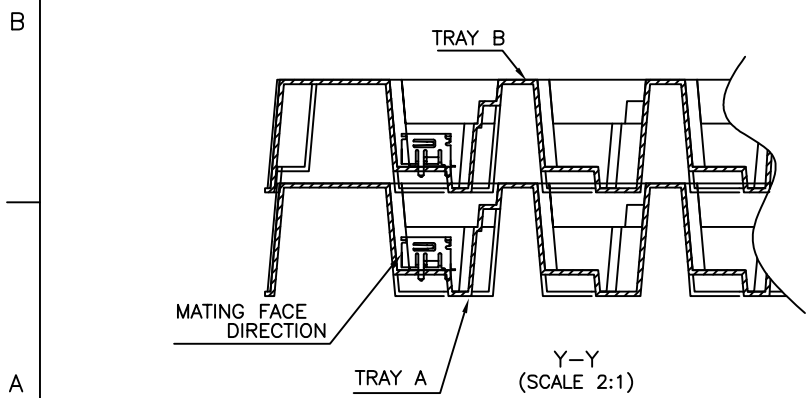
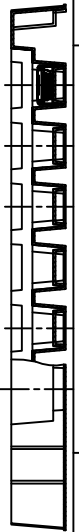
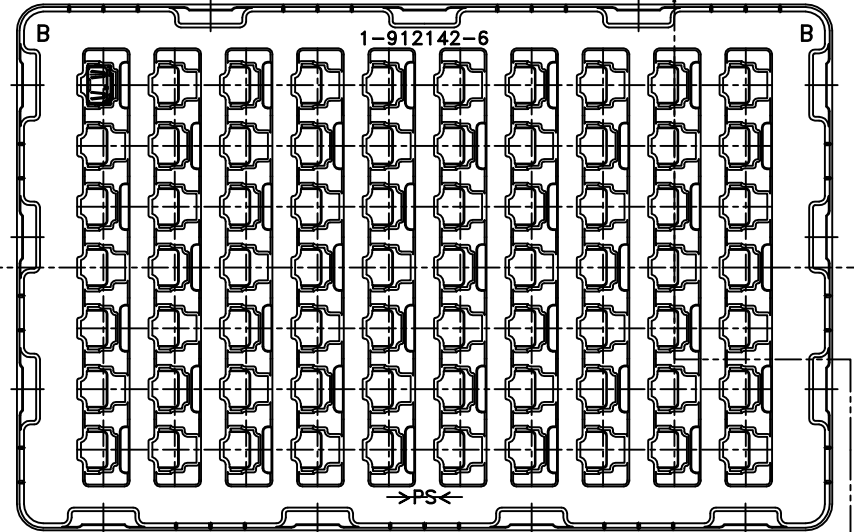
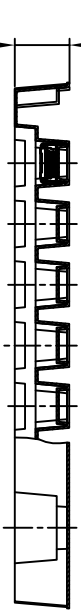
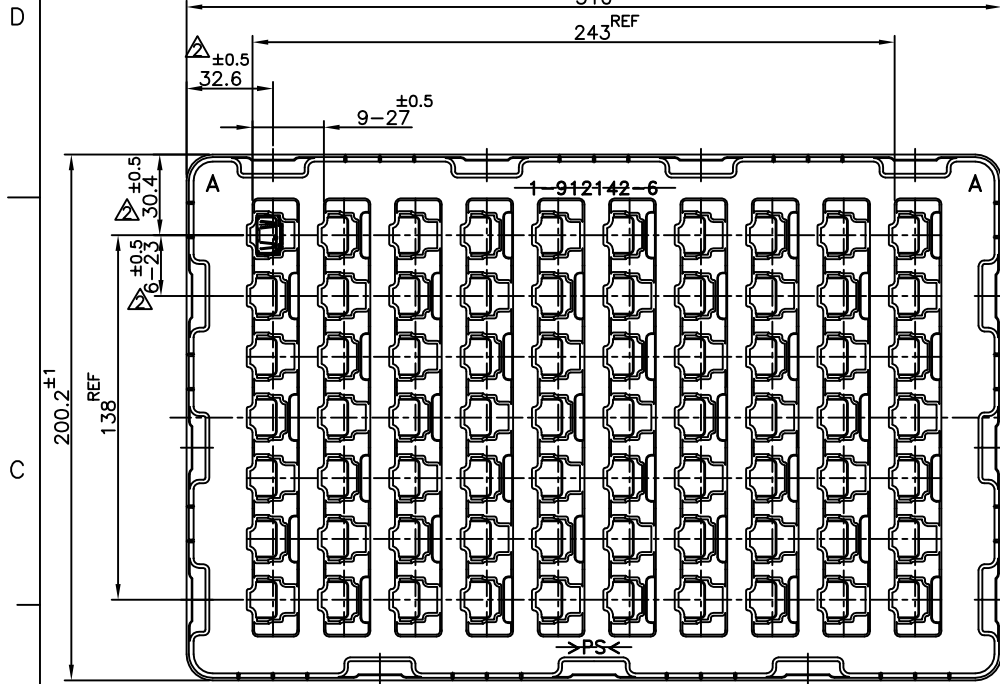
DATE

DWN

APVD

SEE SHEET 1

P/N:6-1903015-3



THIS DRAWING IS A CONTROLLED DOCUMENT.		DWN	TE Connectivity			NAME 名稱	HDMI 19 POS RECEPTACLE ASSY			RESTRICTED TO	
DIMENSIONS: 單位: 稱 mm		CHK					SMT SHORT TYPE				SIZE
TOLERANCES UNLESS OTHERWISE SPECIFIED: 一般公差		APVD	PRODUCT SPEC 製品規格			A300779			SCALE 尺度 4:1	SHEET 12 OF 12	REV R
0 PLC ± 1 PLC ± 2 PLC ± 3 PLC ± 4 PLC ± ANGLES ±		PRODUCT SPEC 製品規格	APPLICATION SPEC 取付適用規格			C=1903015					
MATERIAL 材料		WEIGHT	CUSTOMER DRAWING								