

LEAD FREE CATALOGUE NUMBER

7712P0225A25LF

7312P0225A13LF



NOTES:

DESCRIPTION

Connector especially designed for SMT technology
EMV compatible and in accordance with ISO 7816-2

MECHANICAL

Contacts force : between 0.2N-0.5N
Durability : 100000 cycles
Insertion force : 10 N max
Extraction force : 1 N min

ELECTRICAL

Insulation resistance : 1000MOhms
Dielectric withstand voltage between card contacts and detection switch : 1000 Vrms
contact resistance:100 miliohms
Current carrying : min 10 micro A max 1A

SWITCH

Contact closed : contact resistance 100mOhms
Open contact : voltage proof 300Vms

MATERIAL

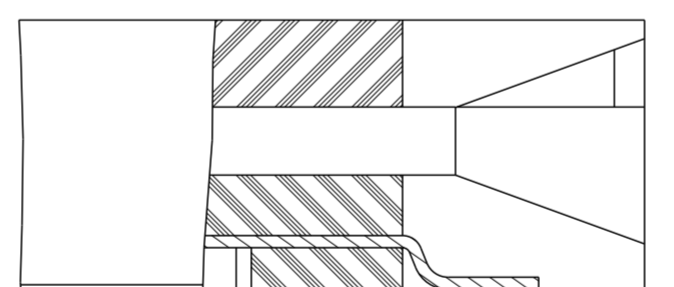
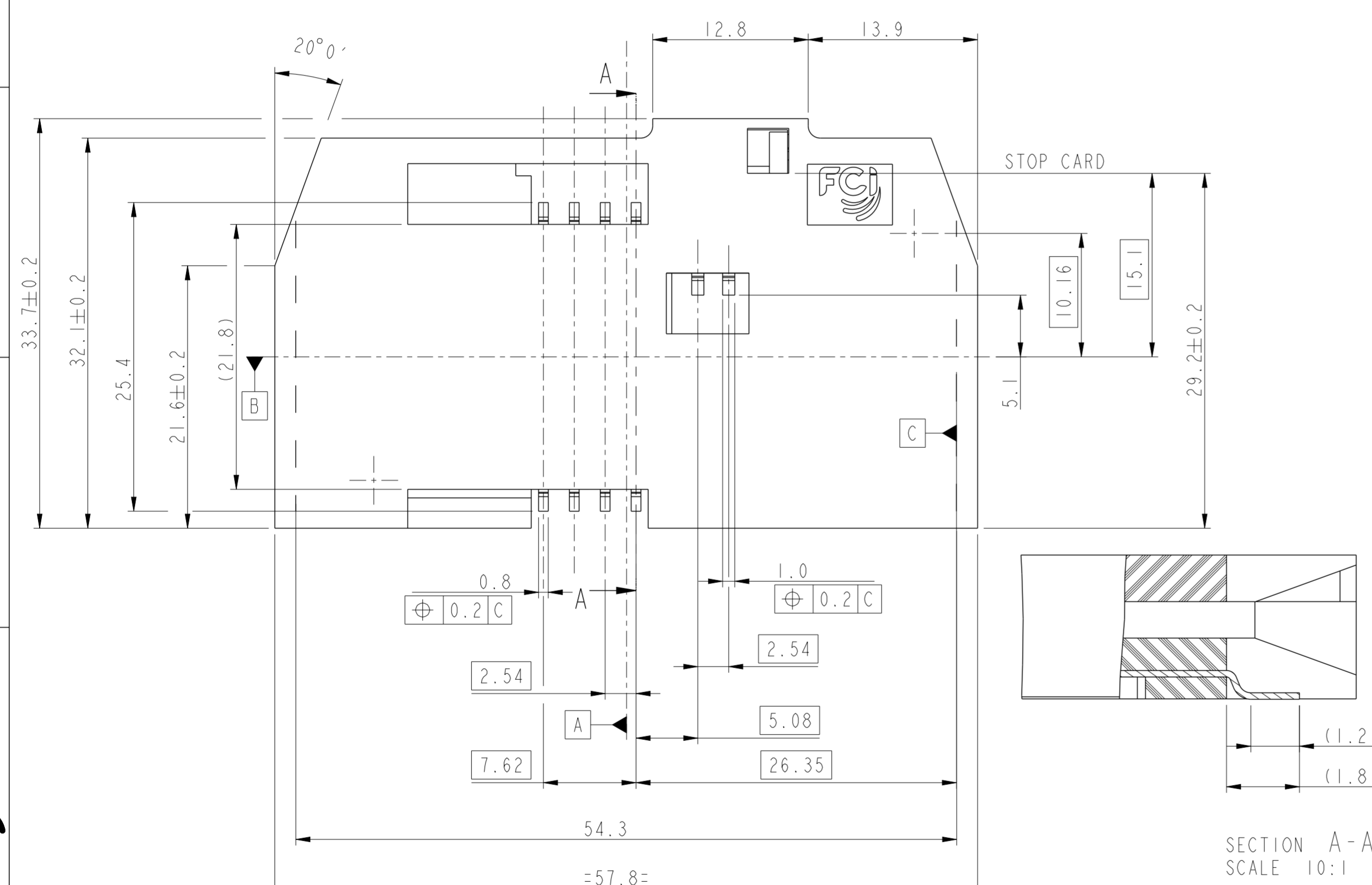
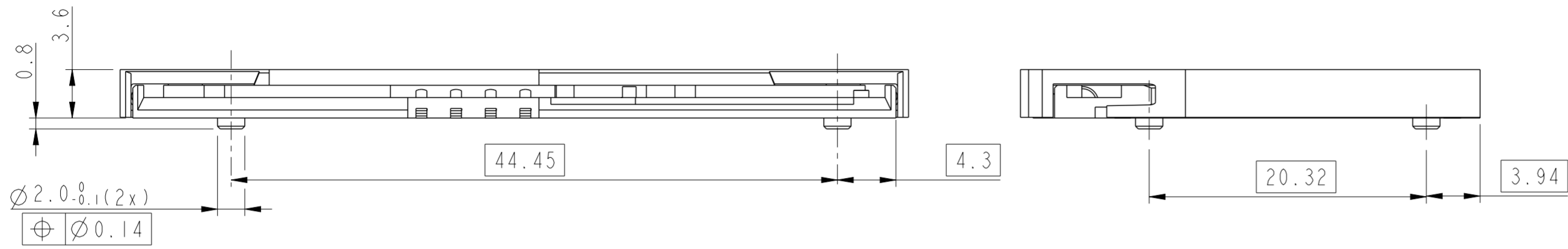
Contacts : copper alloy
Cover :
Color for LF part : Natural
Plating : Gold / Equivalent PdNi over Nickel on contact area
Solder tails : Sn bare edge allowed
Housing : self extinguishing, Thermoplastic
UL94-V0 rated

ENVIRONMENT

Storage temperature : -40°C, +85°C
Operating temperature : -20°C, +70°C
Packaging : Tray
Compatible reflow soldering process

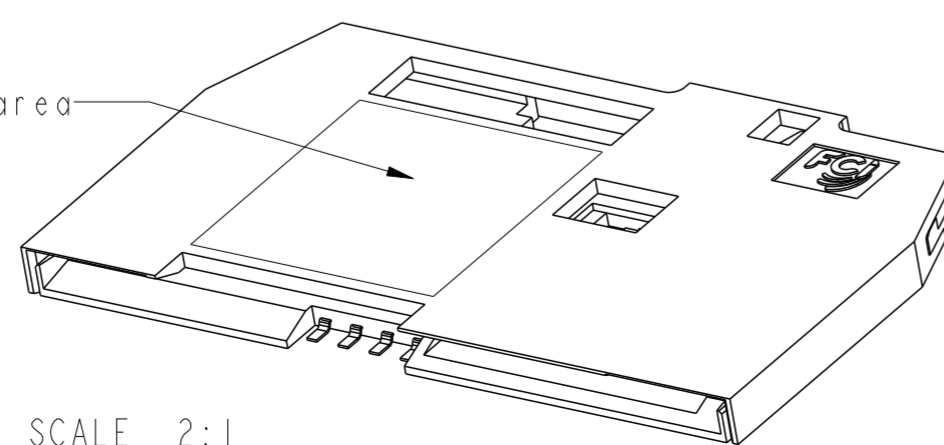
NOTE: RoHS INFORMATIONS

-The "LF" products meet European Union Directives and other country regulations as described in GS-47-0004 .
- The housing will withstand exposure to 260°C peak temperature for 30 seconds in a convection, infra-red or vapor reflow oven. See Application notes/procedures, if they are available.
- Packaging spec: see GS-14-920



SECTION A-A
SCALE 10:1

Pick and place area



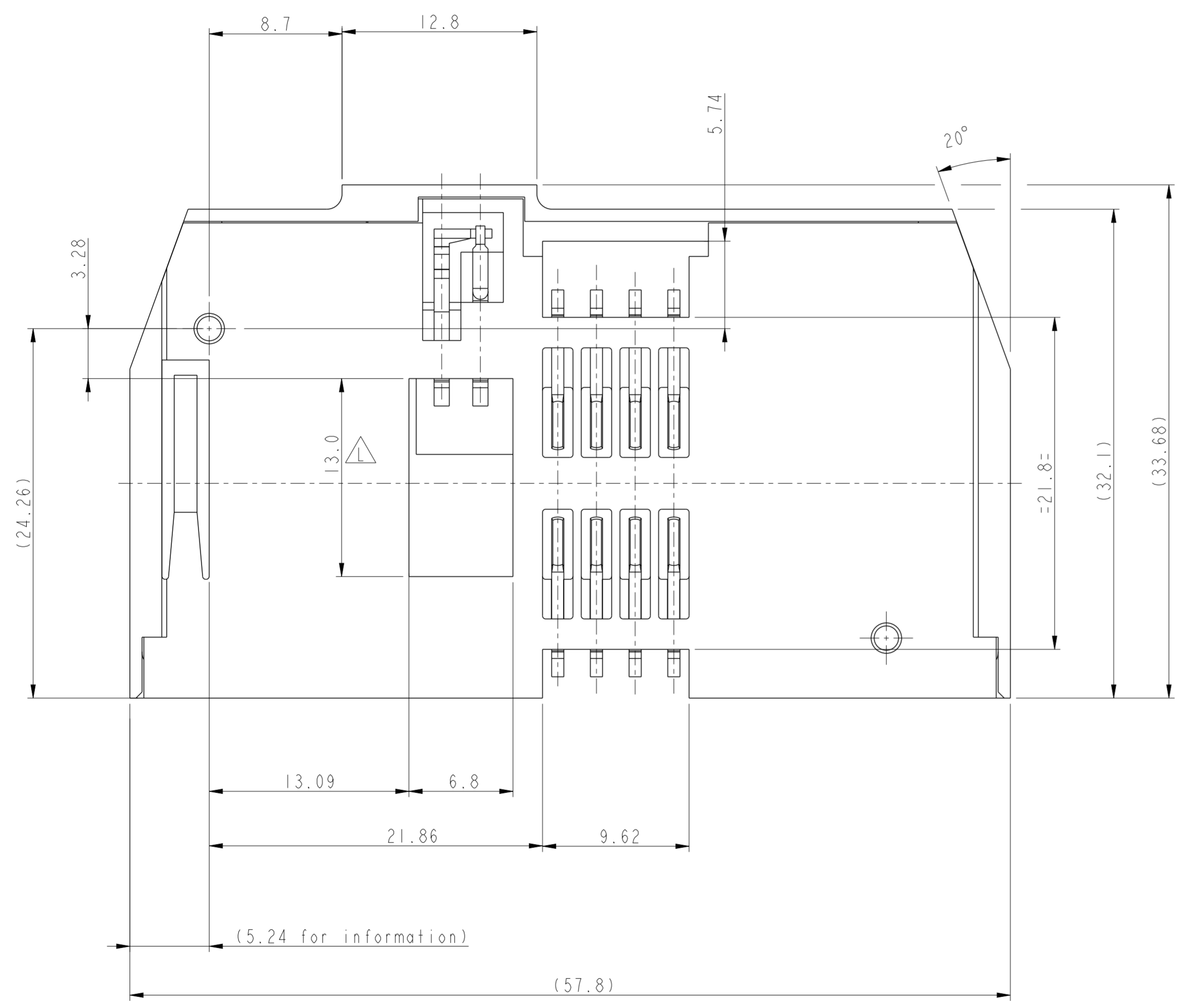
SCALE 2:1

spec ref	SEE NOTES	dr	P-Mathew Nebu	2014/09/27	projection	mm	size	A2	scale	3:1
tolerance std	TOLERANCES UNLESS OTHERWISE SPECIFIED	eng	P-Mathew Nebu	2014/10/08		mm	ecn no	ELX-18989-1	rel level	Released
ISO 406		chr	-							
ISO 1101		appr	K-Paul Biju	2014/10/08	product family	MOBILE I/O	cat. no.	VJW53666	rev	L
surface	linear	angular	0°	±2°	0.X	±0.3	0.XX	±0.1	0.XXX	±0.05
ISO 1302		www.fci.com			TYPE : P02	(8 cts with cover)	Product - Customer Drw	sheet 1 of 3		

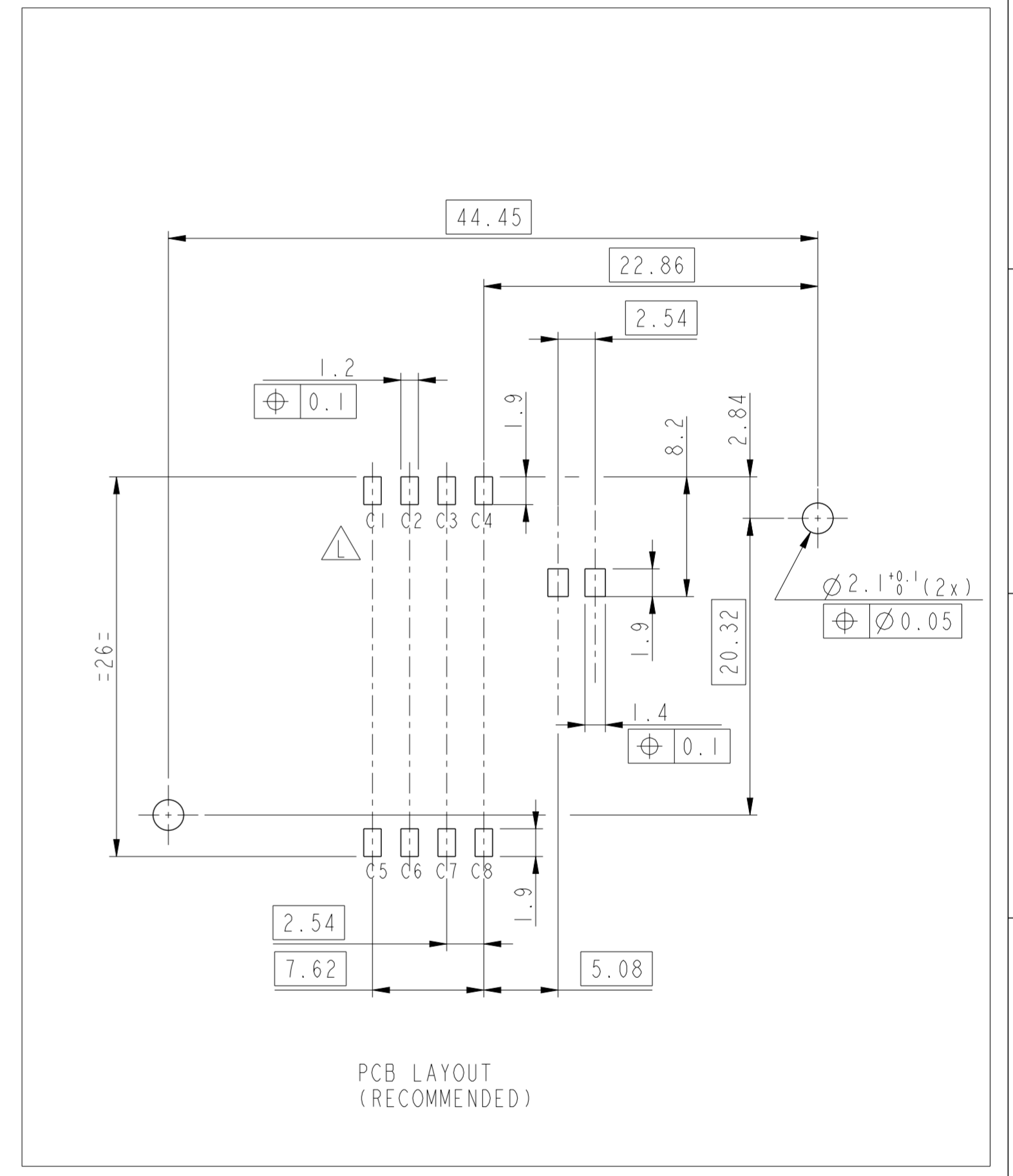


Copyright FCI.

LEAD FREE CATALOGUE NUMBER
 7712P0225A25LF
 7312P0225A13LF



LAYOUT FOR KEEP OUT ZONE
 (CONNECTOR SIDE)



PCB LAYOUT
 (RECOMMENDED)

Copyright FCI.
FCI

spec ref	SEE NOTES	dr	P-Mathew Nebu	2014/09/27	projection	mm	size	A2	scale	4:1									
tolerance std	TOLERANCES UNLESS OTHERWISE SPECIFIED	eng	P-Mathew Nebu	2014/10/08		mm	ecn no	ELX-18989-1	rel level	Released									
ISO 406		chr	-																
ISO 1101		appr	K-Paul Biju	2014/10/08							product family	MOBILE I/O							
surface	<table border="1"> <tr> <td>linear</td> <td>0.X</td> <td>±0.3</td> </tr> <tr> <td></td> <td>0.XX</td> <td>±0.1</td> </tr> <tr> <td></td> <td>0.XXX</td> <td>±0.05</td> </tr> <tr> <td>angular</td> <td>0°</td> <td>±2°</td> </tr> </table>	linear	0.X	±0.3		0.XX	±0.1		0.XXX	±0.05	angular	0°	±2°		CHIP CARD CONNECTOR TYPE : P02 (8 cts with cover)		cat. no. SEE TABLE	Product - Customer Drw	sheet 2 of 3
linear	0.X	±0.3																	
	0.XX	±0.1																	
	0.XXX	±0.05																	
angular	0°	±2°																	
ISO 1302		www.fci.com	cat. no.	SEE TABLE	Product - Customer Drw	sheet 2 of 3													

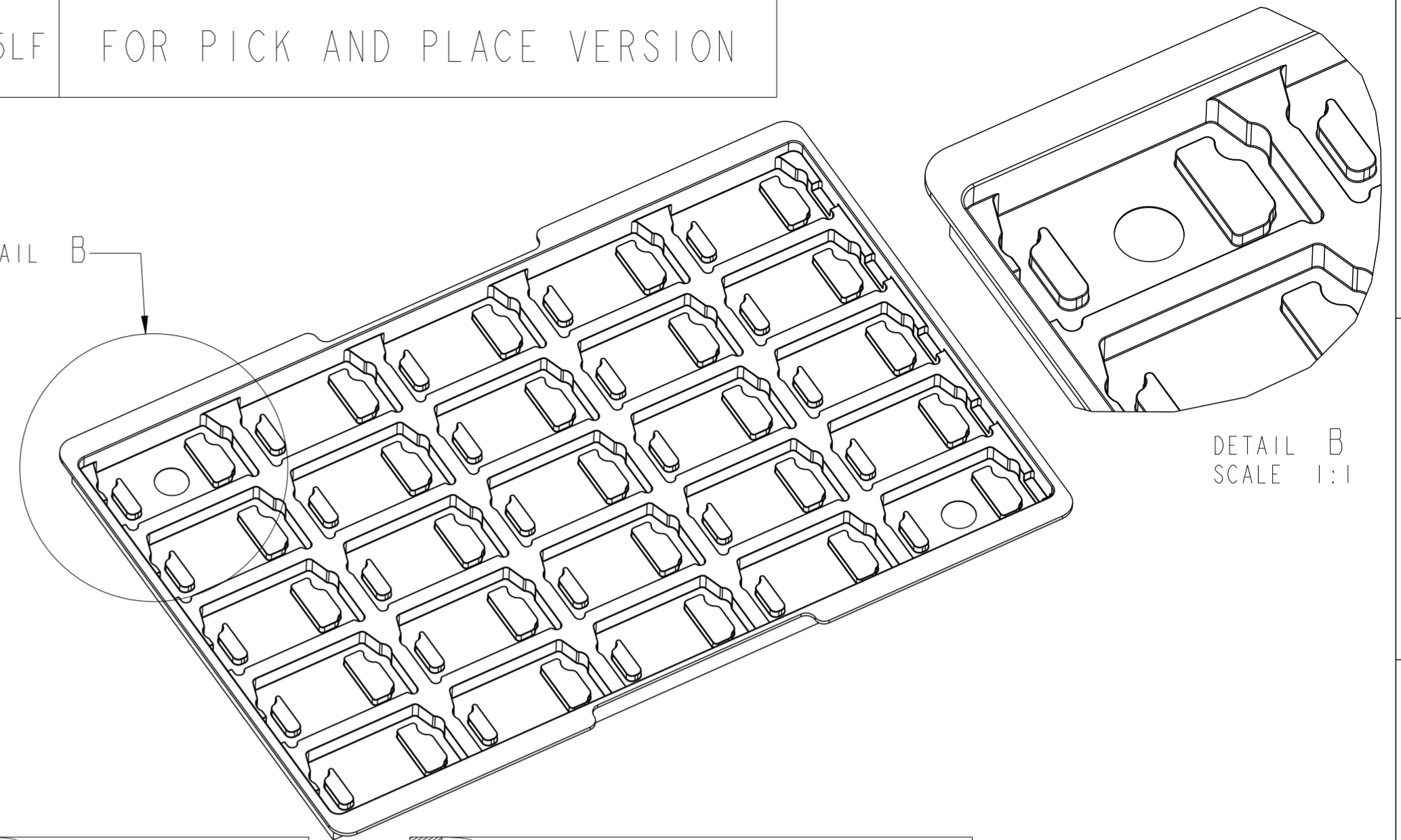
PDS: Rev :L

STATUS:Released

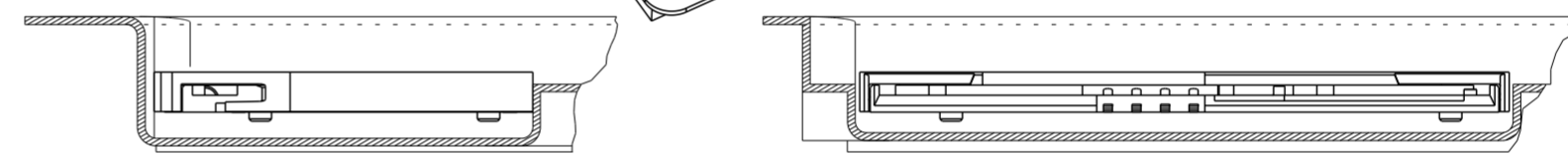
Printed: Oct 08, 2014

7712P0225A25LF FOR PICK AND PLACE VERSION

SEE DETAIL B

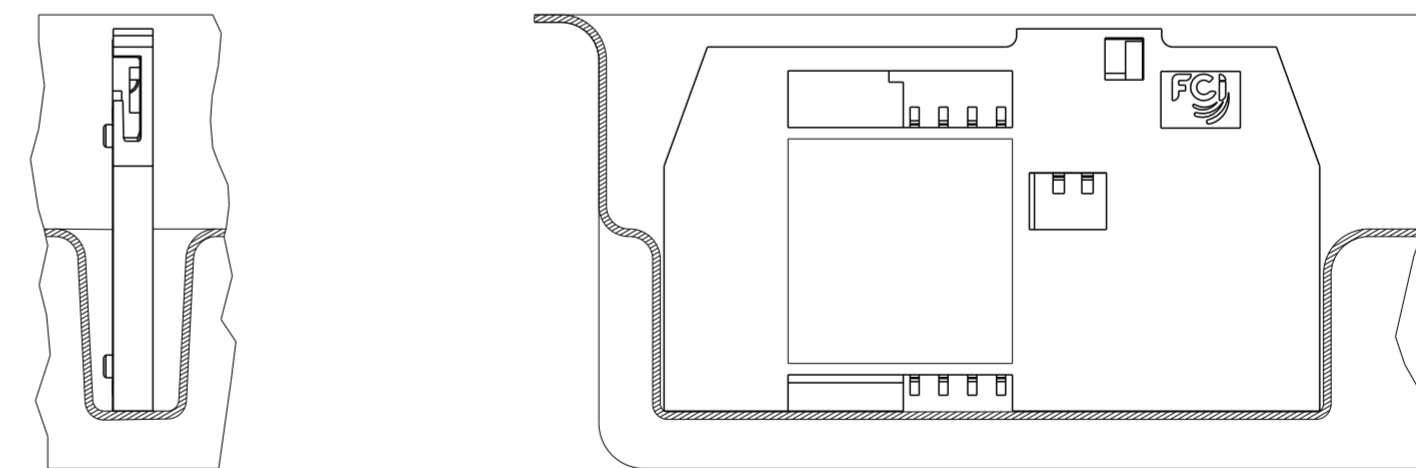


DETAIL B
SCALE 1:1



HORIZONTAL PLACEMENT

7312P0225A13LF STANDARD VERSION



VERTICAL PLACEMENT

PACKAGING

P / N	Quantity by Tray	Trays Material Detail
7712P0225A25LF	25 Horizontal Placement	Antistatic
7312P0225A13LF	100 Vertical Placement	No Antistatic

spec ref	SEE NOTES	dr	P-Mathew Nebu	2014/09/27	projection	mm	size	A2	scale	3:2	
tolerance std	TOLERANCES UNLESS OTHERWISE SPECIFIED	eng	P-Mathew Nebu	2014/10/08		mm	ecn no	ELX-18989-1			
ISO 406		chr	-	product family			MOBILE I/O	rel level	Released		
ISO 1101		appr	K-Paul Biju	2014/10/08			cat. no.	SEE TABLE	Product - Customer Drw	sheet 3 of 3	
surface	ISO 1302	linear	0.X	±0.3		title CHIP CARD CONNECTOR TYPE : P02 (8 cts with cover)	dwg no	VJW53666			
			0.XX	±0.1			rev	L			
		angular	0°	±2°							

