

LEAD FREE CATALOGUE NUMBER

7712P0225A25LF

7312P0225A13LF



**NOTES:**

**DESCRIPTION**

Connector especially designed for SMT technology  
EMV compatible and in accordance with ISO 7816-2

**MECHANICAL**

Contacts force : between 0.2N-0.5N  
Durability : 100000 cycles  
Insertion force : 10 N max  
Extraction force : 1 N min

**ELECTRICAL**

Insulation resistance : 1000MOhms  
Dielectric withstand voltage between card contacts and detection switch : 1000 Vrms  
contact resistance:100 miliohms  
Current carrying : min 10 micro A max 1A

**SWITCH**

Contact closed : contact resistance 100mOhms  
Open contact : voltage proof 300Vms

**MATERIAL**

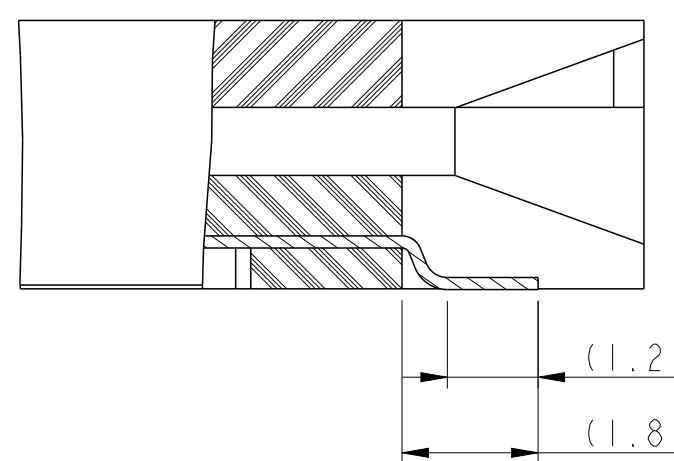
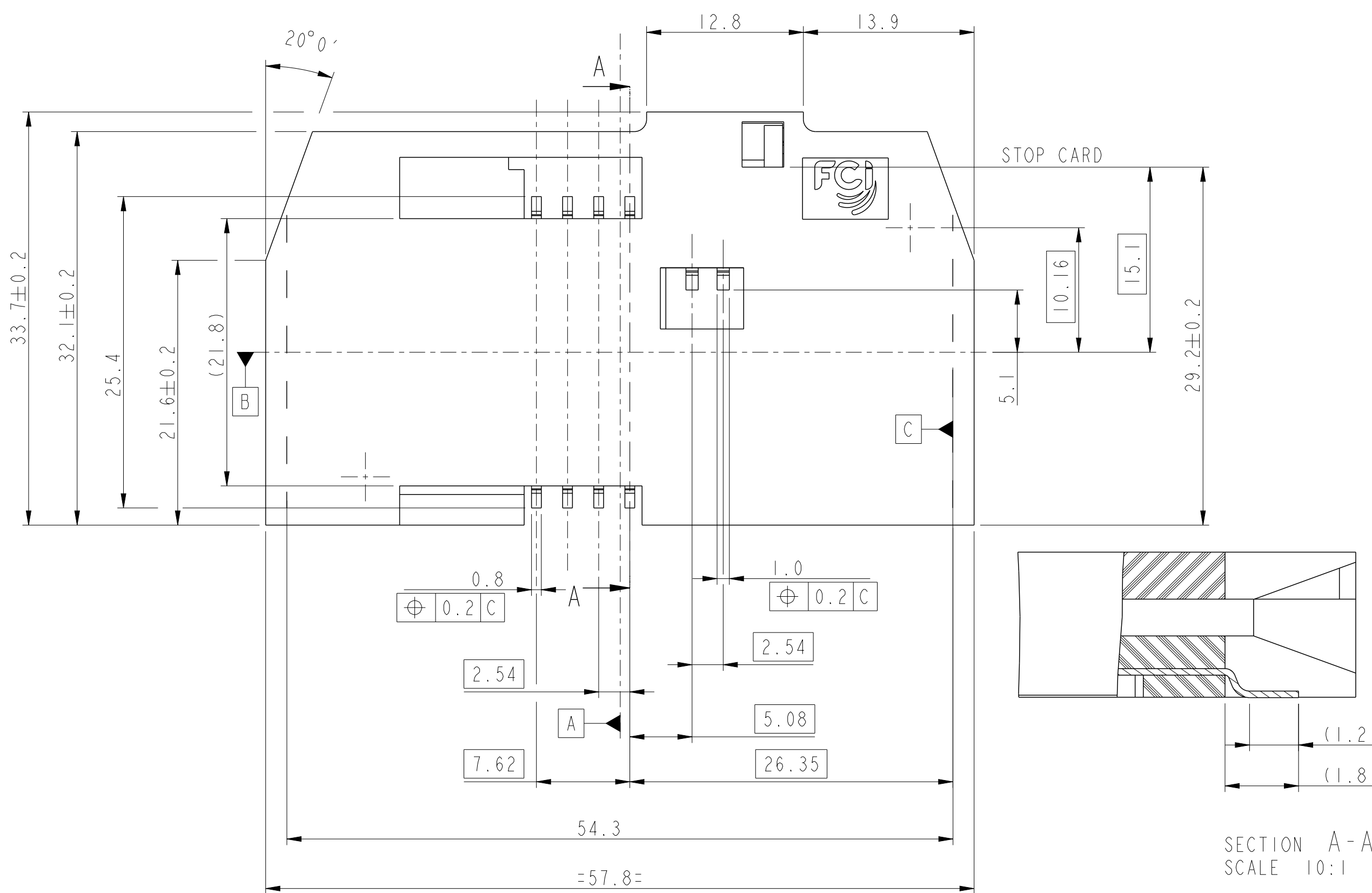
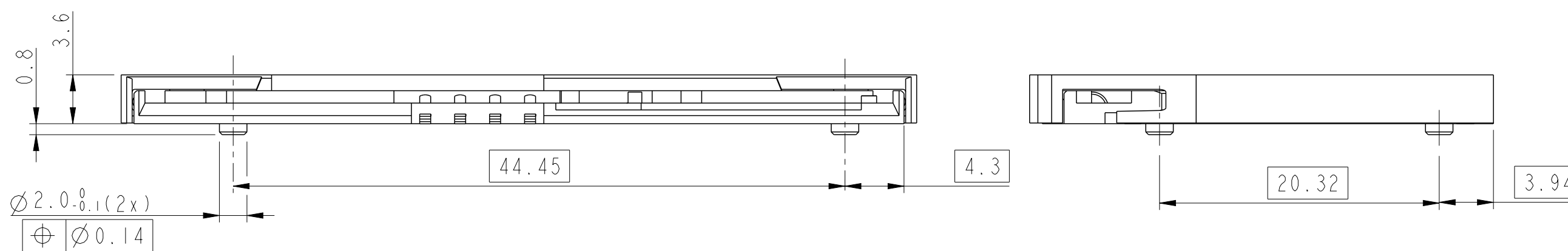
Contacts : copper alloy  
Cover :  
Color for LF part : Natural  
Plating : Gold / Equivalent PdNi over Nickel on contact area  
Solder tails : Sn bare edge allowed  
Housing : self extinguishing, Thermoplastic  
UL94-V0 rated

**ENVIRONMENT**

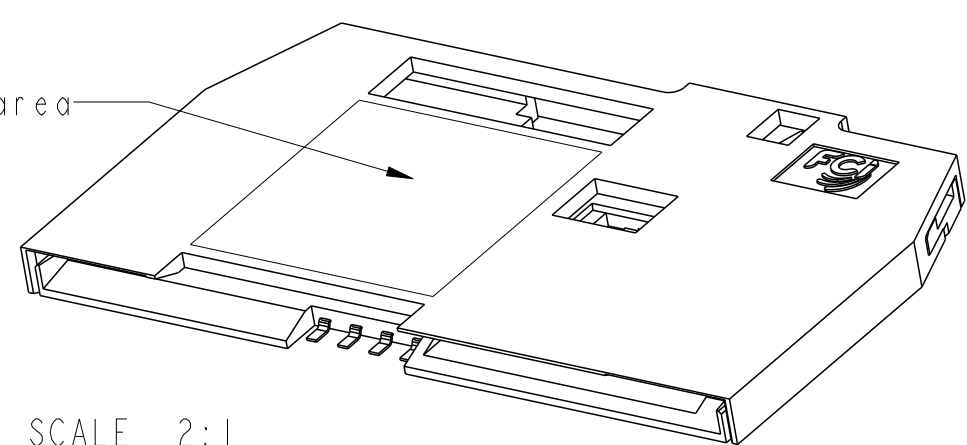
Storage temperature : -40°C, +85°C  
Operating temperature : -20°C, +70°C  
Packaging : Tray  
Compatible reflow soldering process

**NOTE: RoHS INFORMATIONS**

-The "LF" products meet European Union Directives and other country regulations as described in GS-47-0004 .  
- The housing will withstand exposure to 260°C peak temperature for 30 seconds in a convection, infra-red or vapor reflow oven. See Application notes/procedures, if they are available.  
- Packaging spec: see GS-14-920



Pick and place area



SCALE 2:1

spec ref	SEE NOTES	dr	P-Mathew Nebu	2014/09/27	projection	mm	size	A2	scale	3:1
tolerance std	TOLERANCES UNLESS OTHERWISE SPECIFIED	eng	P-Mathew Nebu	2014/10/08		mm	ecn no	ELX-18989-1	rel level	Released
ISO 406		chr	-							
ISO 1101		appr	K-Paul Biju	2014/10/08	product family	MOBILE I/O	cat. no.	VJW53666	rev	L
surface	linear	angular	0°	±2°	0.X	±0.3	0.XX	±0.1	0.XXX	±0.05
ISO 1302					www.fci.com	cat. no.	SEE TABLE	Product - Customer Drw	sheet 1 of 3	

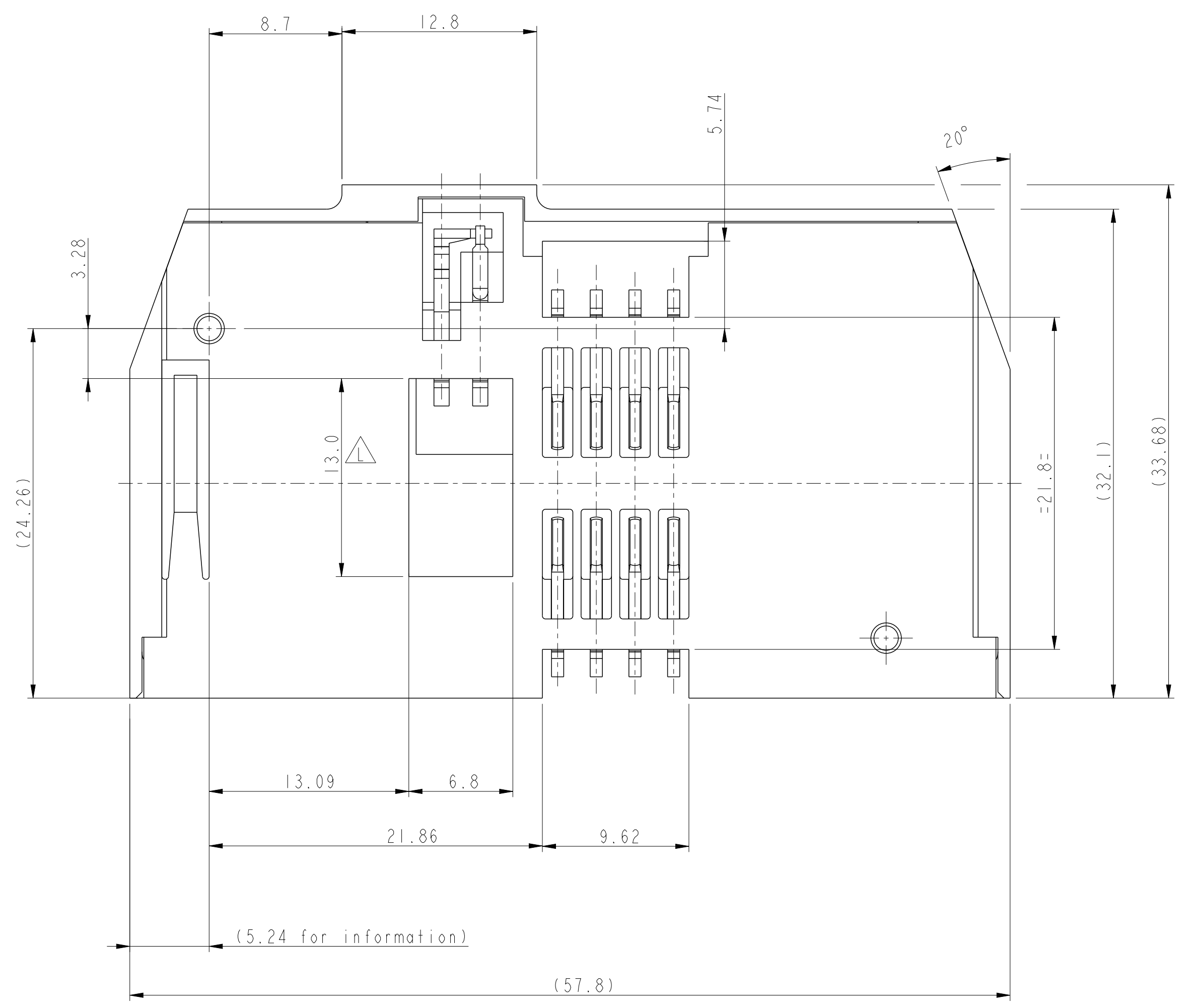
PDS: Rev :L

STATUS:Released

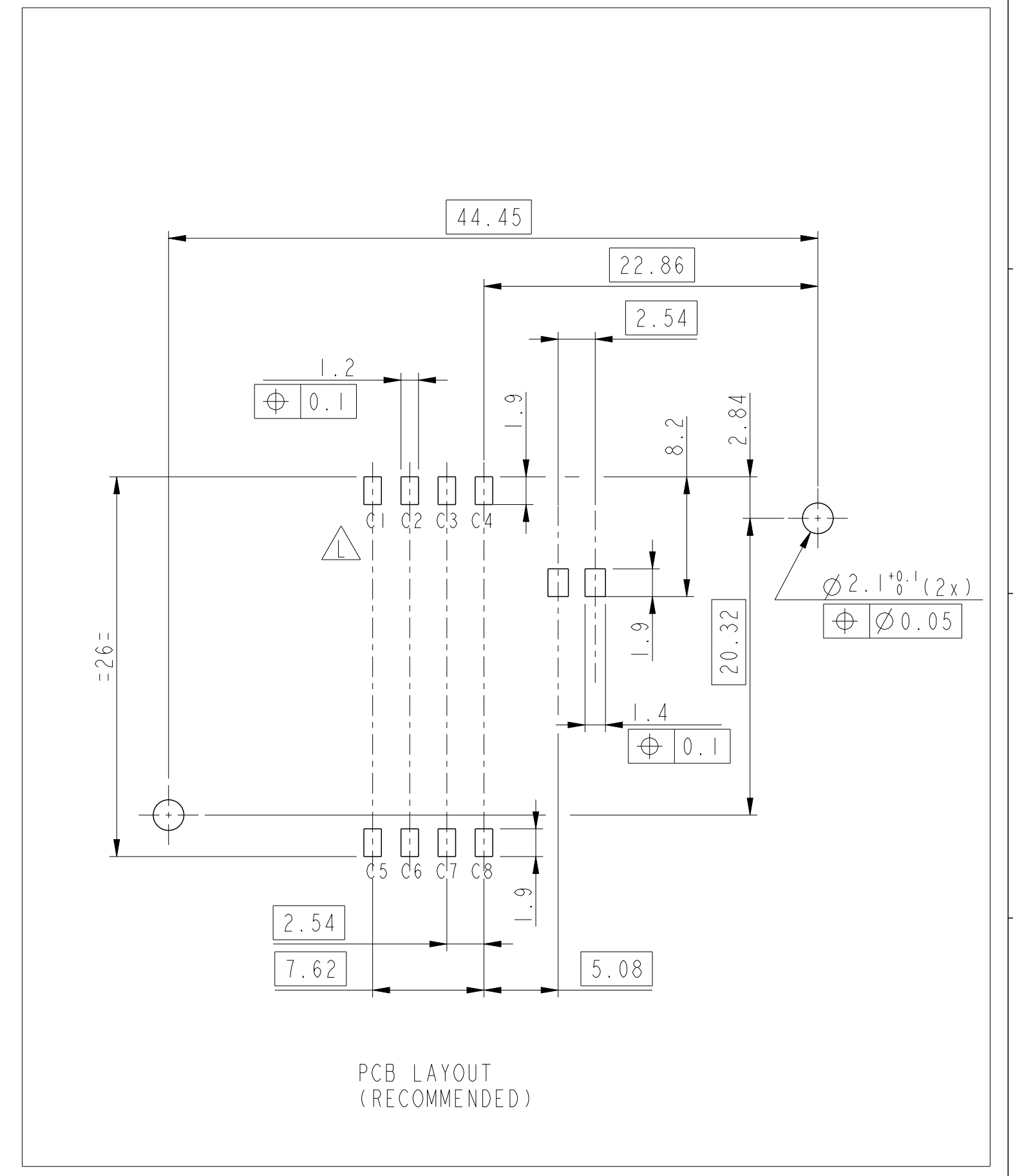
Printed: Oct 08, 2014

Copyright FCI

LEAD FREE CATALOGUE NUMBER  
 7712P0225A25LF  
 7312P0225A13LF



LAYOUT FOR KEEP OUT ZONE  
 (CONNECTOR SIDE)



PCB LAYOUT  
 (RECOMMENDED)



Copyright FCI.

spec ref	SEE NOTES	dr	P-Mathew Nebu	2014/09/27	projection	mm	size	A2	scale	4:1								
tolerance std	TOLERANCES UNLESS OTHERWISE SPECIFIED	eng	P-Mathew Nebu	2014/10/08		mm	ecn no	ELX-18989-1	rel level	Released								
ISO 406		chr	-															
ISO 1101		appr	K-Paul Biju	2014/10/08							product family	MOBILE I/O						
surface	<table border="1"> <tr> <td>linear</td> <td>0.X</td> <td>±0.3</td> </tr> <tr> <td></td> <td>0.XX</td> <td>±0.1</td> </tr> <tr> <td></td> <td>0.XXX</td> <td>±0.05</td> </tr> <tr> <td>angular</td> <td>0°</td> <td>±2°</td> </tr> </table>	linear	0.X	±0.3		0.XX	±0.1		0.XXX	±0.05	angular	0°	±2°		<b>title</b> CHIP CARD CONNECTOR TYPE : P02 (8 cts with cover)		<b>dwg no</b> VJW53666	<b>rev</b> L
linear	0.X	±0.3																
	0.XX	±0.1																
	0.XXX	±0.05																
angular	0°	±2°																
ISO 1302		www.fci.com	cat. no.	SEE TABLE	Product - Customer Drw	sheet 2 of 3												

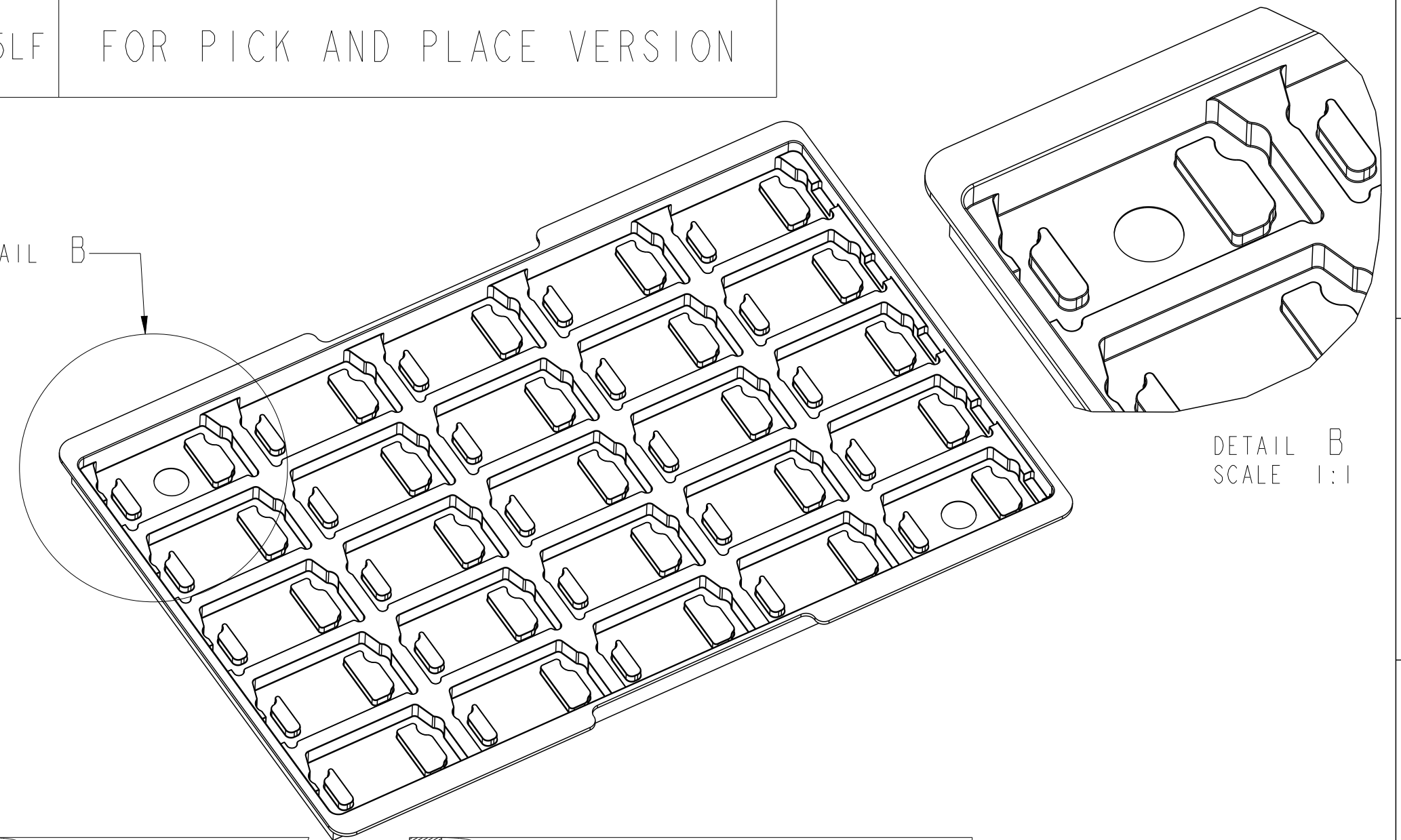
PDS: Rev :L

STATUS:Released

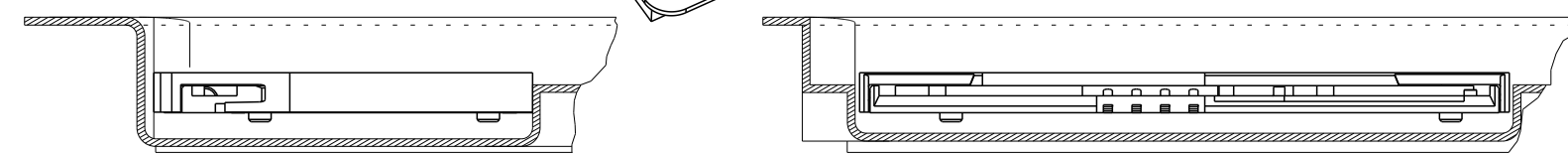
Printed: Oct 08, 2014

7712P0225A25LF FOR PICK AND PLACE VERSION

SEE DETAIL B

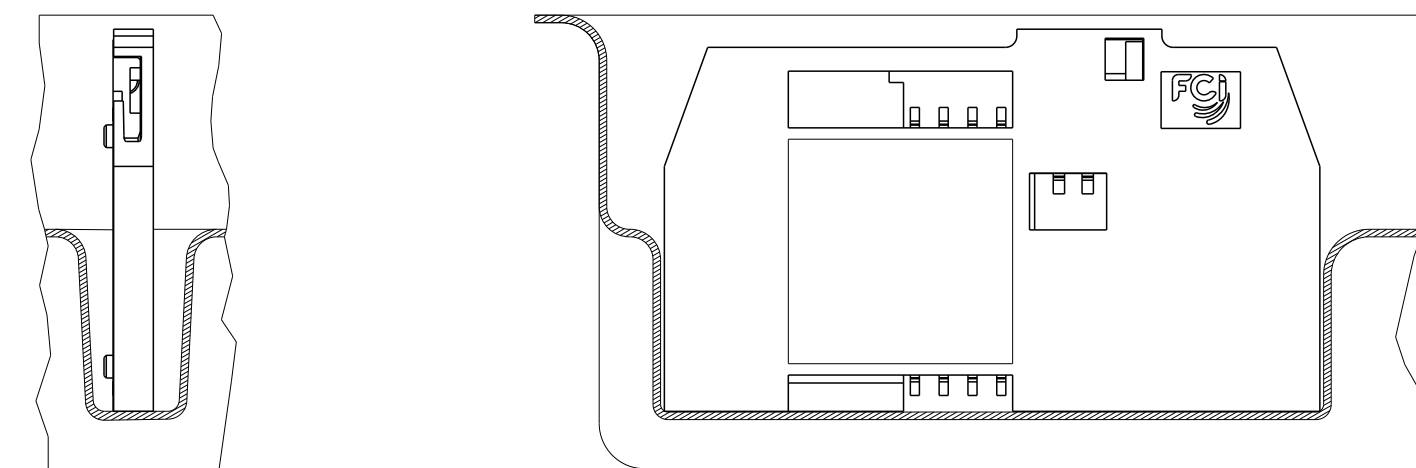


DETAIL B  
SCALE 1:1



HORIZONTAL PLACEMENT

7312P0225A13LF STANDARD VERSION



VERTICAL PLACEMENT

PACKAGING

P / N	Quantity by Tray	Trays Material Detail
7712P0225A25LF	25 Horizontal Placement	Antistatic
7312P0225A13LF	100 Vertical Placement	No Antistatic

spec ref	SEE NOTES	dr	P-Mathew Nebu	2014/09/27	projection	mm	size	A2	scale	3:2							
tolerance std	TOLERANCES UNLESS OTHERWISE SPECIFIED	eng	P-Mathew Nebu	2014/10/08		mm	ecn no	ELX-18989-1	rel level	Released							
ISO 406		chr	-														
ISO 1101		appr	K-Paul Biju	2014/10/08							product family	MOBILE I/O					
surface	<table border="1"> <tr> <td>linear</td> <td>0.X</td> <td>±0.3</td> </tr> <tr> <td></td> <td>0.XX</td> <td>±0.1</td> </tr> <tr> <td></td> <td>0.XXX</td> <td>±0.05</td> </tr> <tr> <td>angular</td> <td>0°</td> <td>±2°</td> </tr> </table>	linear	0.X	±0.3		0.XX	±0.1		0.XXX	±0.05	angular	0°	±2°		<b>FCI</b> title CHIP CARD CONNECTOR TYPE : P02 (8 cts with cover)	dwg no VJW53666	rev L
linear	0.X	±0.3															
	0.XX	±0.1															
	0.XXX	±0.05															
angular	0°	±2°															
ISO 1302		www.fci.com	cat. no.	SEE TABLE	Product - Customer Drw	sheet 3 of 3											



Copyright FCI.