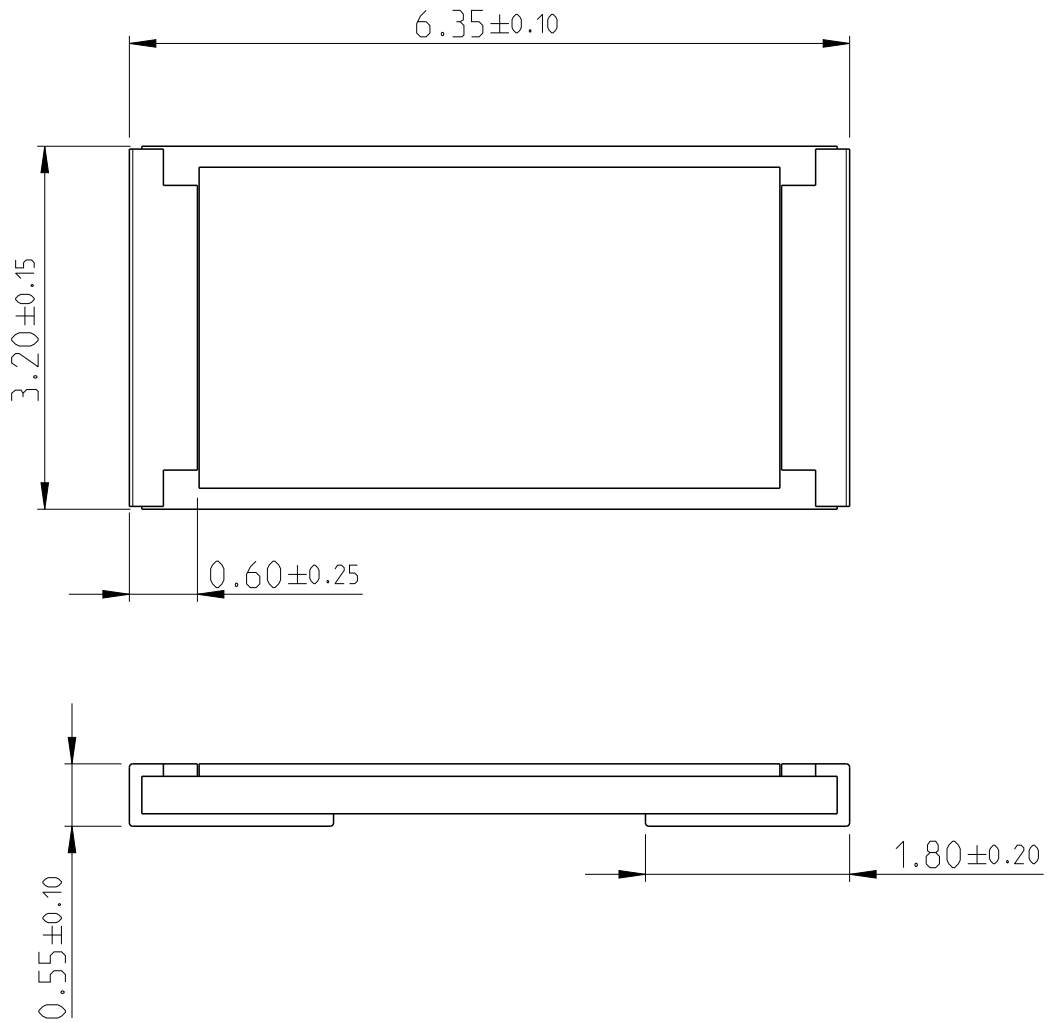
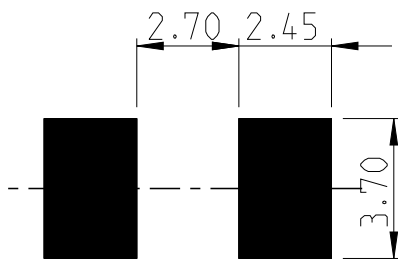


LOC	DIST	REVISIONS					
		P	LTR	DESCRIPTION	DATE	DWN	APVD
-	-	BB1	ECR-15-009470		24 JUN 2015	KR	TN



FOR FURTHER INFORMATION SEE PRODUCT SPECIFICATION FOR CRGH SERIES



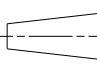
RoHS Compliant



PCB LAYOUT PLAN



20
 RELEASED FOR PUBLICATION
 ALL RIGHTS RESERVED.
 BY -
 THIS DRAWING IS UNPUBLISHED.
 © COPYRIGHT 20

DIMENSIONS: mm	DWN RAGHAVENDRA K 27 JUN 2012	MATERIAL	FINISH
TOLERANCES UNLESS OTHERWISE SPECIFIED:	CHK ALLAN P 27 JUN 2012	 TE Connectivity	
0 PLC ±	APVD TONY N 27 JUN 2012		
1 PLC ±0.5	PRODUCT SPEC	NAME SMD POWER RESISTORS - TYPE CRGH2512 SERIES	
2 PLC ±0.13	APPLICATION SPEC	SIZE	RESTRICTED TO
3 PLC ±0.013		CAGE CODE	
4 PLC ±0.0001		DRAWING NO	
ANGLES ±	WEIGHT	A 4	
	Customer Drawing	CAGE CODE	
		DRAWING NO	
		C=1879527	
		SCALE	
		40:1	
		SHEET	
		1	
		OF	
		1	
		REV	
		BB1	