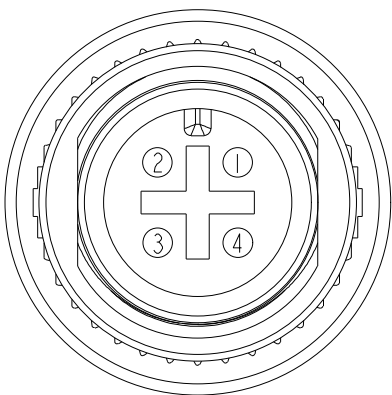
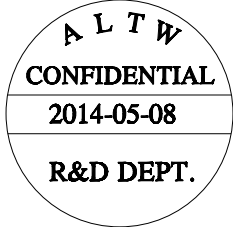
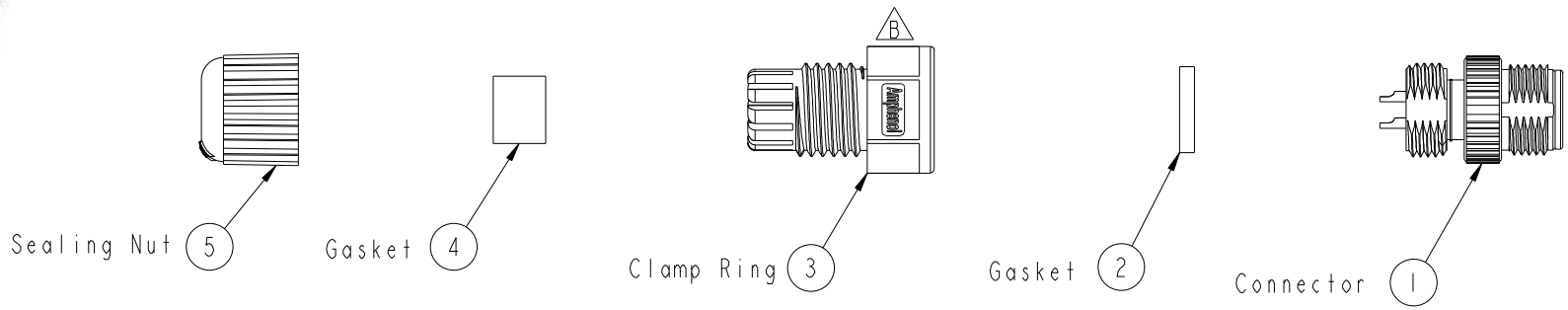
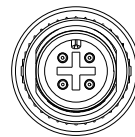
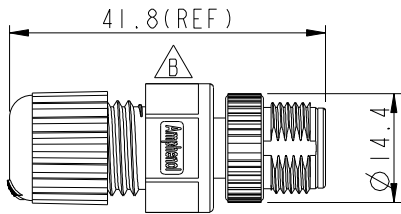


REV.	ECN NO.	DATE	SIGN	DESCRIPTION
B	LEN1450091	2014/05/08	Jinhai	Change LOGO To Amphenol



Pin Assignments
Front View



Conn

Note:

- * (DD) Important Dimension To Check.
- * Waterproof Rate: IP68
- * Housing: Black, Nylon+GF
- * Pin: Copper Alloy, Gold Plated
- * Nut: Zinc Alloy, Nickel Plated
- * Gasket: Black, EPDM
- * Clamp Ring: Black, Nylon
- * Sealing Nut: Black, Nylon
- * Seal: Black, EPDM
- * Seal For Cable OD: $\varnothing 4.5\text{mm} - \varnothing 6.5\text{mm}$

UNIT:mm		
TOLERANCE	± 0.5	

TITLE M12 Conn Assy Screw 4Pin M Conn M Pin			
SCALE 1:1	SIZE A4	SHEET 1 OF 1	
REV. B	WC-REV. A.3	QC: Inspection item	

Amphenol LTW
安費諾亮泰企業股份有限公司

ITEM NO 12-04BMMA-SL8001	DRAWN BY Jinhai	DATE 2014-05-08
DWG NO 12-04BMMA-SL8001	CHECKED BY Di-Lu	DATE 2014-05-08
CUSTOMER ALTW	APPROVED BY Jerry	DATE 2014-05-08

THIS DOCUMENT IS SUBJECT TO CHANGE WITHOUT NOTICE. IT IS CONFIDENTIAL AND A PROPERTY OF Amphenol LTW. DISCLOSURE TO THIRD PARTY HAS TO BE AUTHORIZED BY Amphenol LTW.