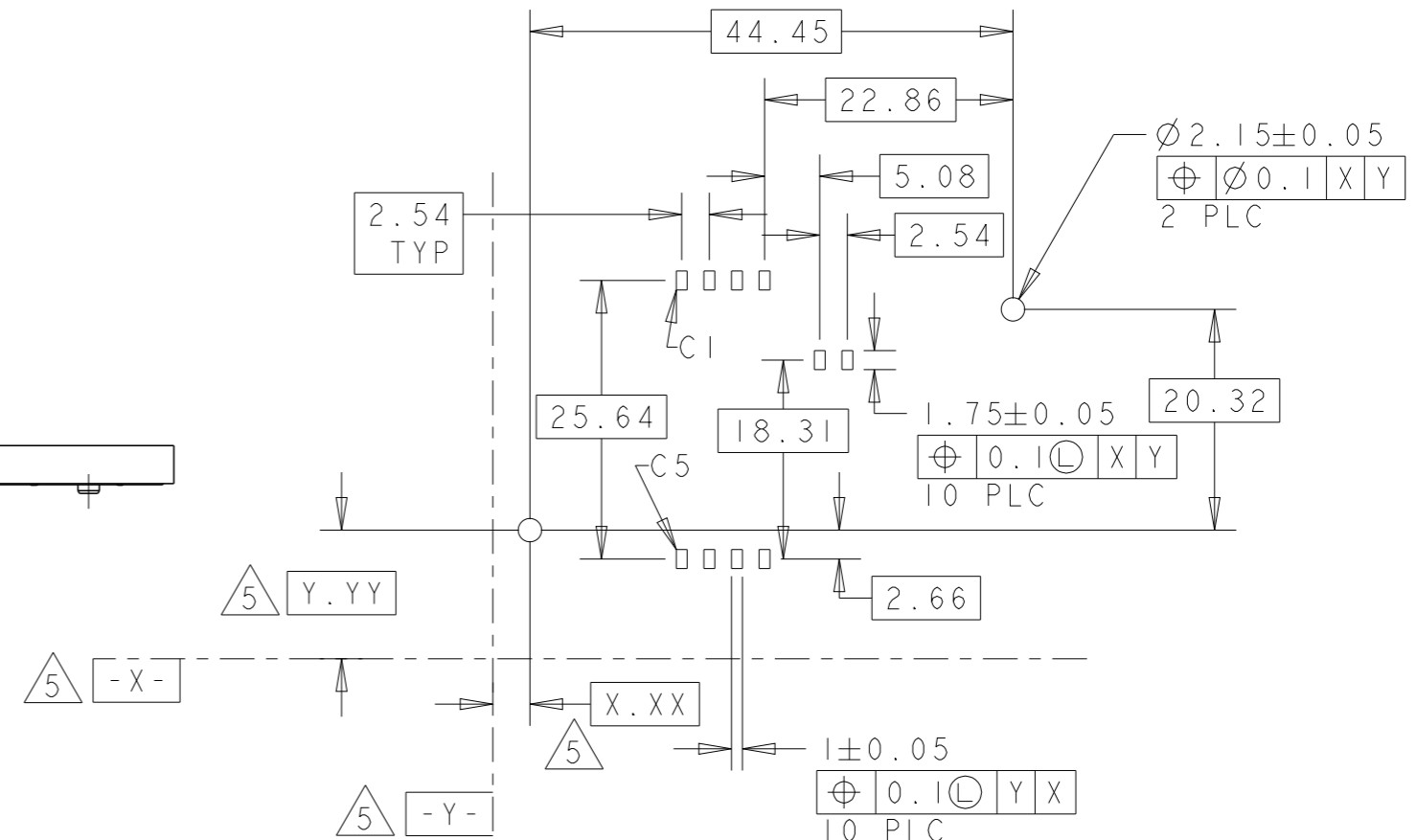
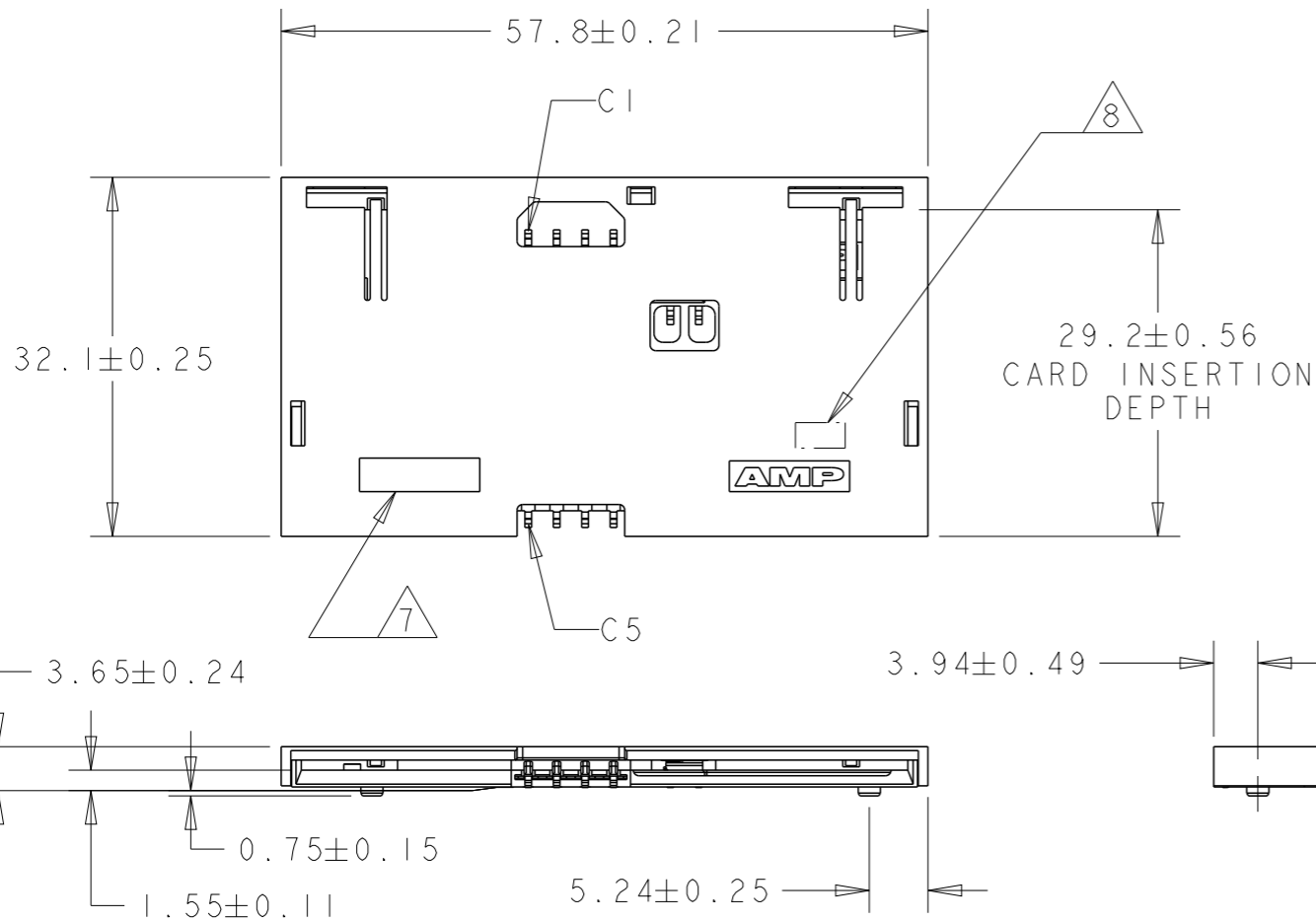


THIS DRAWING IS UNPUBLISHED. RELEASED FOR PUBLICATION 20
 © COPYRIGHT 20 BY - ALL RIGHTS RESERVED.

LOC	DIST	REVISIONS				
P	LTR	DESCRIPTION	DATE	DWN	APVD	
GP	00	C3	REVISED PER ECR-12-005639	26MAR2012	S.Y H.K	



1 MATERIALS: HOUSING: THERMOPLASTIC, COLOR: BLACK, CONTACTS: COPPER ALLOY.

2 FINISH: CONTACTS: GOLD PLATE ON MATING SURFACE, TIN-LEAD ON SOLDER TAIL, ALL OVER NICKEL UNDERPLATE.

3 CONNECTOR WITHOUT COVER, SHOWN ON PAGE 2.

4. CARD DETECTION SWITCH NORMALLY OPEN.

5 DATUMS AND DIMENSIONS ESTABLISHED BY CUSTOMER.

6 TOP SURFACE OF THE MATING CARD TO BE HELD .875±.025 ABOVE THE MAJOR TOP SURFACE OF THE BOTTOM HOUSING.

7 PLASTIC MATERIAL IDENTIFICATION PER ISO 11469.

8 MANUFACTURING LOCATION IDENTIFIER.

3 6	.000127	250	72	REEL	8	5145300-5
	.000127	250	72	REEL	8	5145300-4
	.000127	21	329.0 x 229.0	TRAY	8	5145300-3
	.00076	28	333.5 x 288.8	TRAY	8	5145300-2
3 6	.00076	28	333.5 x 288.8	TRAY	8	5145300-1
	GOLD PLATING MIN THICKNESS	QTY/UNIT PACKAGE	PACKAGE SIZE	PACKAGE	CONTACT POSITIONS	PART NUMBER

THIS DRAWING IS A CONTROLLED DOCUMENT.		DWN G. PETERS 27NOV05	TE Connectivity	
DIMENSIONS: mm		CHK D. GORENC 27NOV05		
TOLERANCES UNLESS OTHERWISE SPECIFIED:		APVD M. WALMSLEY 27NOV05	NAME SURFACE MOUNT SMART CARD W/ CARD DETECTION SWITCH	
0 PLC ±0.5 1 PLC ±0.25 2 PLC ±0.15 3 PLC ±0.05 4 PLC ±0.03 ANGLES ±5°		PRODUCT SPEC 108-1742	SIZE A300779 CAGE CODE C=5145300	
MATERIAL 1		FINISH 2	APPLICATION SPEC	RESTRICTED TO
		WEIGHT	SCALE 2:1	SHEET 1 OF 5 REV C3
		CUSTOMER DRAWING		

THIS DRAWING IS UNPUBLISHED.

RELEASED FOR PUBLICATION

20

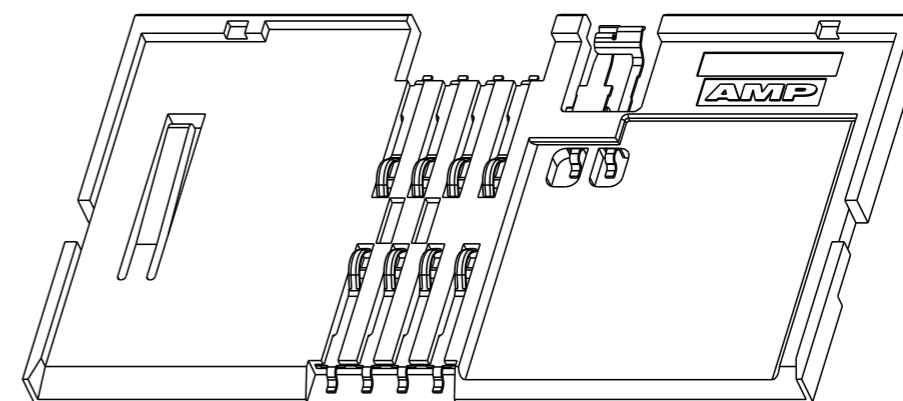
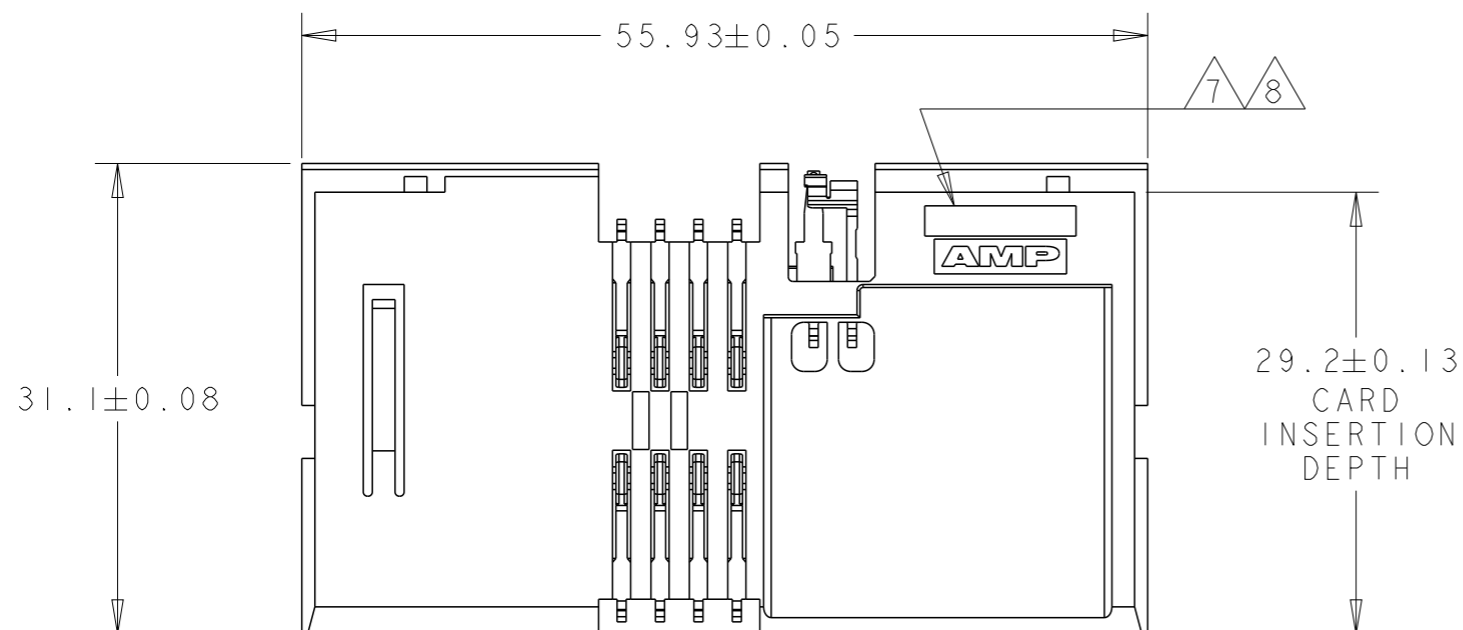
© COPYRIGHT 20 BY -

ALL RIGHTS RESERVED.

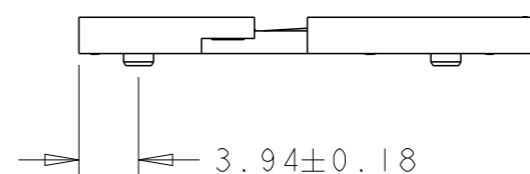
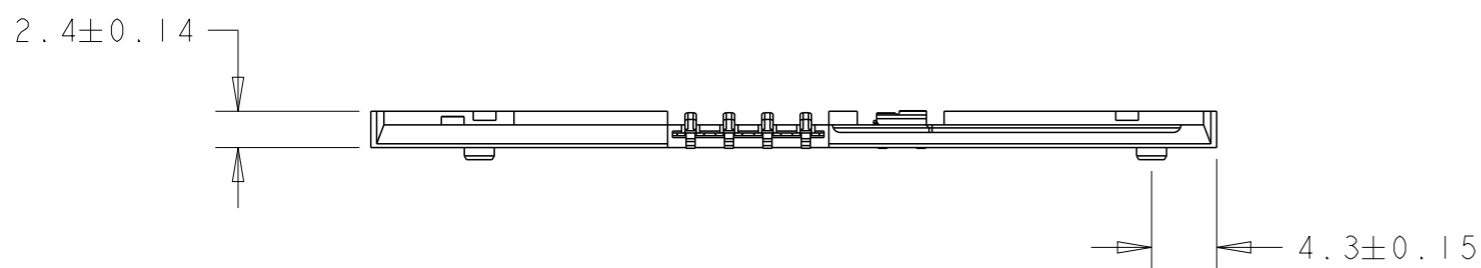
LOC GP DIST 00

REVISIONS

P	LTR	DESCRIPTION	DATE	DWN	APVD
-	-	SEE SHEET 1	-	-	-

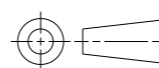


3 145300-1 DEPICTED ON THIS PAGE.



THIS DRAWING IS A CONTROLLED DOCUMENT.

DIMENSIONS:
mm



TOLERANCES UNLESS OTHERWISE SPECIFIED:

0 PLC	±0.5
1 PLC	±0.25
2 PLC	±0.15
3 PLC	±0.05
4 PLC	±0.03
ANGLES	±5°

MATERIAL

FINISH

DWN G. PETERS 27NOV05
 CHK D. GORENC 27NOV05
 APVD M. WALMSLEY 27NOV05
 PRODUCT SPEC 108-1742
 APPLICATION SPEC -
 WEIGHT -



NAME SURFACE MOUNT SMART CARD W/ CARD DETECTION SWITCH

SIZE	CAGE CODE	DRAWING NO	RESTRICTED TO
A300779	C=5145300		-

CUSTOMER DRAWING SCALE 2:1 SHEET 2 OF 5 REV C3

4

3

2

1

THIS DRAWING IS UNPUBLISHED.

RELEASED FOR PUBLICATION

20

© COPYRIGHT 20

BY -

ALL RIGHTS RESERVED.

LOC
GPDIST
00

REVISIONS

P	LTR	DESCRIPTION	DATE	DWN	APVD
-	-	SEE SHEET 1	-	-	-

6X 45.7±0.5

1.4±0.5 TYP

12.7±0.5

3X 69.5±0.5

34.75±0.5

288.8±0.8

333.5±0.8

TRAY PACKAGING FOR 5145300-1 AND 5145300-2

THIS DRAWING IS A CONTROLLED DOCUMENT.

DWN G. PETERS 27NOV05

CHK D. GORENC 27NOV05

APVD M. WALMSLEY 27NOV05

PRODUCT SPEC

108-1742

APPLICATION SPEC

WEIGHT

CUSTOMER DRAWING

DIMENSIONS:

mm

TOLERANCES UNLESS OTHERWISE SPECIFIED:

0 PLC	±0.5
1 PLC	±0.25
2 PLC	±0.15
3 PLC	±0.05
4 PLC	±0.03
ANGLES	±5°

MATERIAL

FINISH

TE Connectivity

NAME

SURFACE MOUNT
SMART CARD
W/ CARD DETECTION SWITCH

SIZE

A300779

CAGE CODE

DRAWING NO

G-5145300

RESTRICTED TO

-

SCALE 1:2

SHEET 3 OF 5

REV C3

1470-19 (3/11)

THIS DRAWING IS UNPUBLISHED.

RELEASED FOR PUBLICATION

20

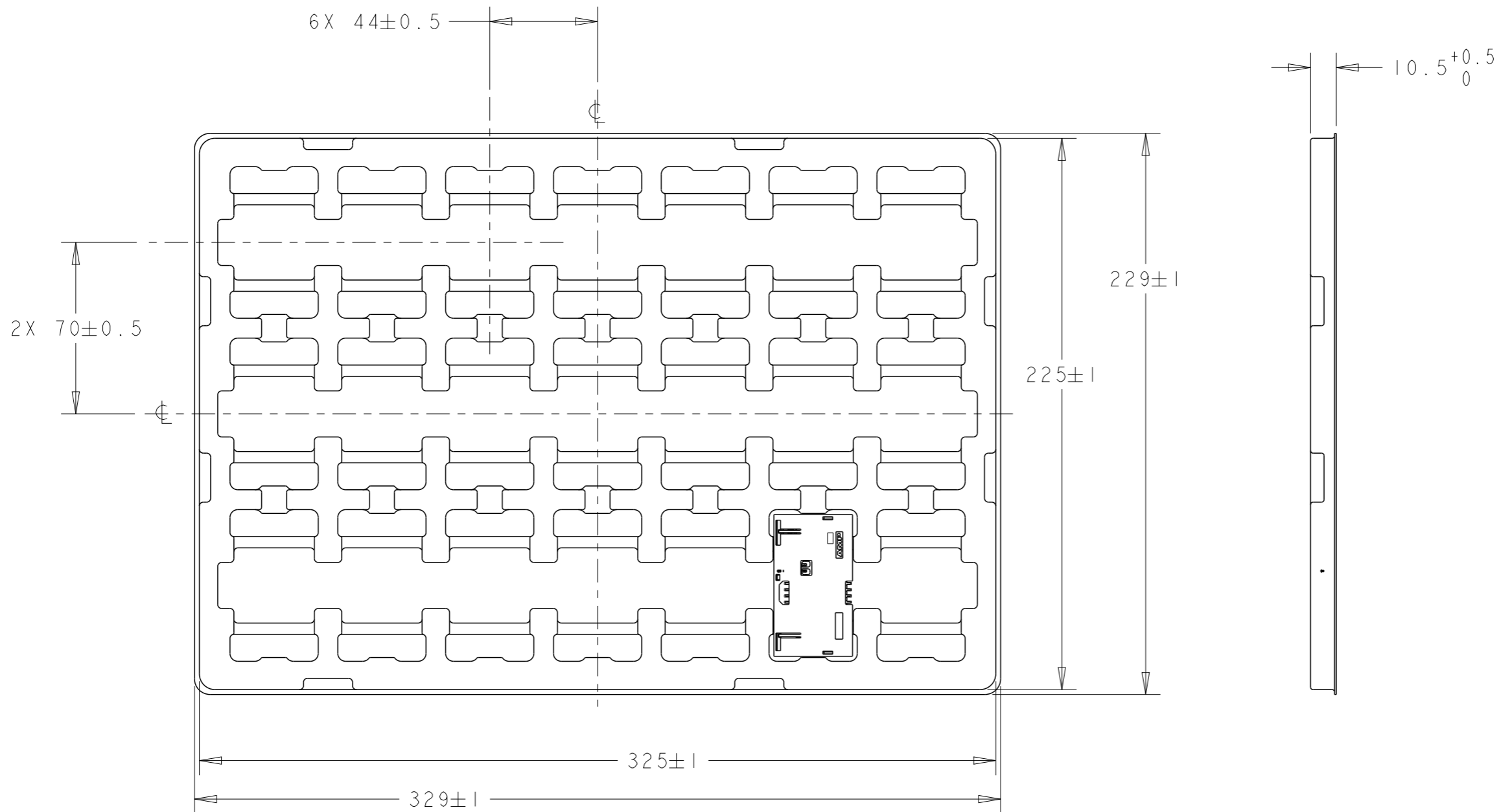
© COPYRIGHT 20 BY -

ALL RIGHTS RESERVED.


LOC GP DIST 00

REVISIONS

P	LTR	DESCRIPTION	DATE	DWN	APVD
-	-	SEE SHEET 1	-	-	-



TRAY PACKAGING FOR 5145300-3

THIS DRAWING IS A CONTROLLED DOCUMENT.		DWN G. PETERS 27NOV05	 TE Connectivity
DIMENSIONS: mm		CHK D. GORENC 27NOV05	
TOLERANCES UNLESS OTHERWISE SPECIFIED:		APVD M. WALMSLEY 27NOV05	
0 PLC ±0.5 1 PLC ±0.25 2 PLC ±0.15 3 PLC ±0.05 4 PLC ±0.03 ANGLES ±5°		NAME SURFACE MOUNT SMART CARD W/ CARD DETECTION SWITCH	
MATERIAL		PRODUCT SPEC 108-1742	SIZE A300779
FINISH		APPLICATION SPEC -	CAGE CODE C-5145300
WEIGHT		WEIGHT -	DRAWING NO -
CUSTOMER DRAWING		RESTRICTED TO -	
SCALE 1:2		SHEET 4 OF 5	
REV C3			

4

3

2

1

THIS DRAWING IS UNPUBLISHED.

RELEASED FOR PUBLICATION

20

© COPYRIGHT 20 BY -

ALL RIGHTS RESERVED.

LOC	DIST
GP	00

REVISIONS

P	LTR	DESCRIPTION	DATE	DWN	APVD
-	-	SEE SHEET 1	-	-	-

(4) →
(2) →

(32.1) CARD DIMENSION

(34.2)

(72)

K

(40)

AMP

UB

MTU

(57.8) CARD DIMENSION

(3.65) CARD DIMENSION

→ CUSTOMER DE-REEL DIRECTION

SECTION K-K


TAPE PACKAGING FOR 5145300-4, 5145300-5
SCALE 1:1

(74) INSIDE WIDTH
(78) OUTSIDE WIDTH

(∅100)

(∅330)

PLASTIC REEL DETAILS FOR 5145300-4, 5145300-5
SCALE 1:10

THIS DRAWING IS A CONTROLLED DOCUMENT.		DWN G. PETERS 27NOV05	 TE Connectivity	
DIMENSIONS: mm		CHK D. GORENC 27NOV05		
TOLERANCES UNLESS OTHERWISE SPECIFIED:		APVD M. WALMSLEY 27NOV05	NAME SURFACE MOUNT SMART CARD W/ CARD DETECTION SWITCH	
0 PLC ±0.5 1 PLC ±0.25 2 PLC ±0.15 3 PLC ±0.05 4 PLC ±0.03 ANGLES ±5°		PRODUCT SPEC 108-1742	SIZE A300779	
MATERIAL		APPLICATION SPEC	CAGE CODE C-5145300	DRAWING NO 5145300
FINISH		WEIGHT	RESTRICTED TO	
CUSTOMER DRAWING		SCALE 2:1		SHEET 5 OF 5
		REV C3		

1470-19 (3/11)