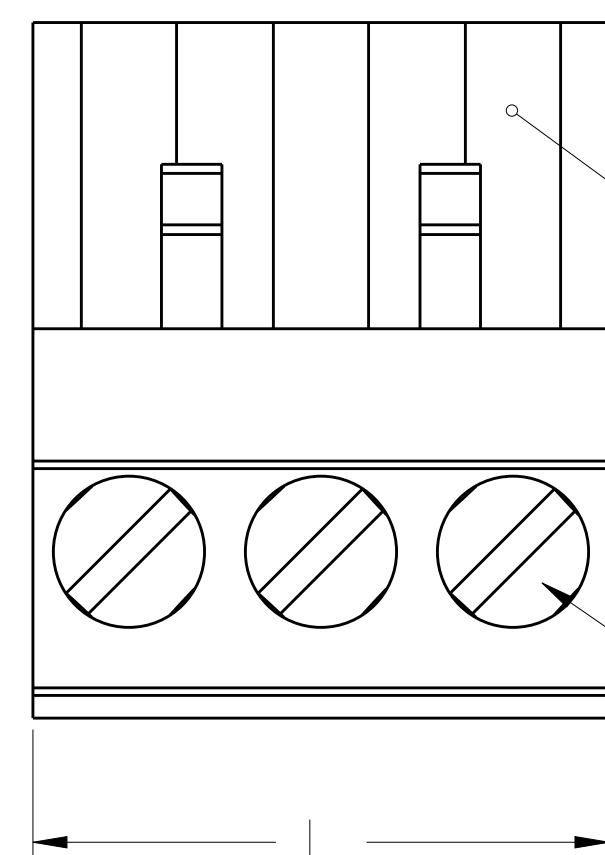
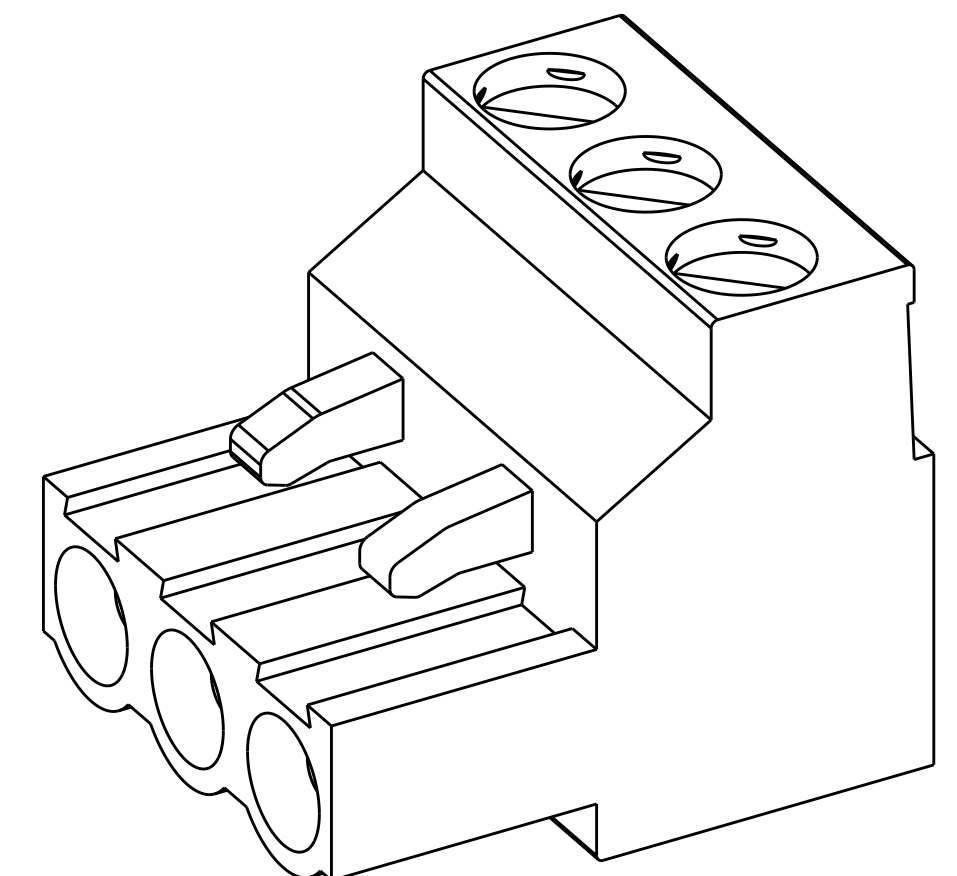


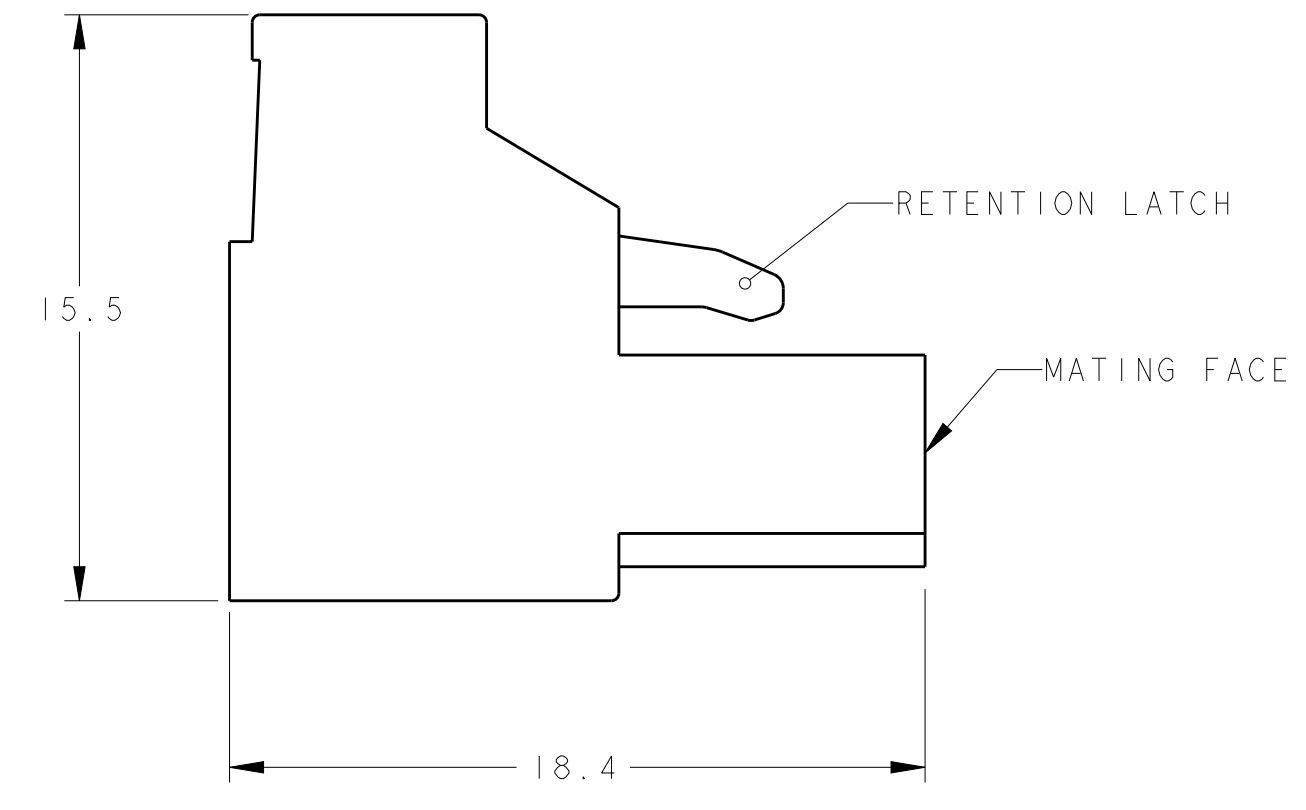
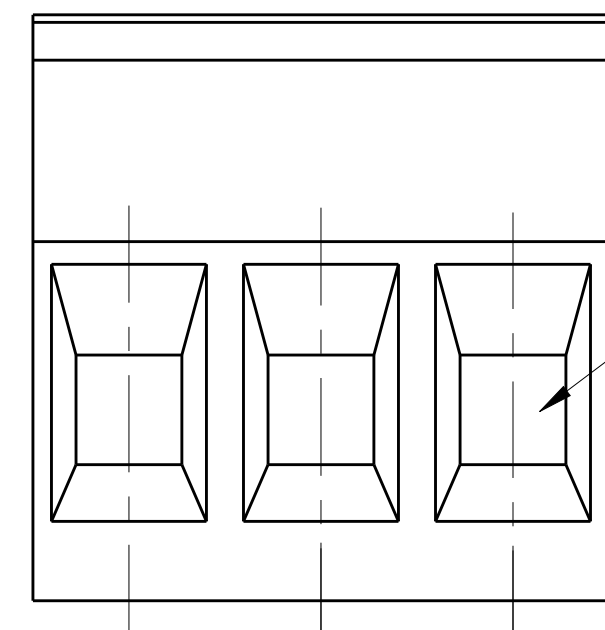
LOC		DIST		REVISIONS			
FT	0	P	LTN	DESCRIPTION	DATE	OWN	APVD
		R11		DETAIL S CORRECTED-SHEET 2	01DEC2014	PS	JK



POLARIZATION KEY SLOT
 CLAMPING SCREW



796634-3 AS SHOWN



2.54 REF 2 PLC
 5.08±0.08 TYP

- △ MATERIALS AND FINISH:
 HOUSING: PA 6-6, UL 94-V0, COLOR:GREEN.
 CLAMP: BRASS, PLATING: SEE TABLE.
 DOUBLE SIDE CONTACT SPRING: PHOSPHOR BRONZE, PLATING: SEE TABLE.
 CLAMPING SCREW: M3, BRASS, NICKEL PLATED.
- END-TO-END STACKABLE WITHOUT LOSS OF CENTERLINE SPACING.
 - WIRE SIZE RANGE: 12-30 AWG.
 - RECOGNIZED UNDER THE COMPONENT PROGRAM OF UNDERWRITERS LABORATORIES INC. FILE N° E60677.
 - IMQ CERTIFICATE WITH SURVEILLANCE IN CONFORMITY WITH IEC 998-1/998-2-1.
- △ NOT CUMULATIVE TOLERANCE
- △ INK MARKING, WHITE COLOR
- △ INK MARKING, BLACK COLOR
- △ NUMERICAL SEQUENCE: FROM LEFT TO RIGHT UNLESS OTHERWISE SPECIFIED.
- BUCHANAN LOGO TO APPEAR ON HOUSING, LOCATION OPTIONAL WHERE SPACE PERMITS.
 - SELECTIVELY LOADED IN POSITIONS 1,2,4,5,7,8.

REMOVE PIN 3	PRELIMINARY	NICKEL	TIN	△7/△9	DETAIL AB	86.36±0.30	17	8-796634-4			
	PRELIMINARY	NICKEL	TIN	-	-	25.40±0.20	5	8-796634-3			
	PRELIMINARY	NICKEL	0.76 μm AU	-	-	106.68 ±0.35	21	8-796634-2			
	PRELIMINARY	NICKEL	0.76 μm AU	-	-	86.36±0.30	17	8-796634-1			
	PRELIMINARY	NICKEL	0.76 μm AU	-	-	71.12	14	8-796634-0			
	PRELIMINARY	NICKEL	0.76 μm AU	-	-	60.96	12	7-796634-9			
	PRELIMINARY	NICKEL	0.76 μm AU	-	-	50.80	10	7-796634-8			
	PRELIMINARY	NICKEL	0.76 μm AU	-	-	45.72	9	7-796634-7			
	PRELIMINARY	NICKEL	0.76 μm AU	-	-	40.64	8	7-796634-6			
	PRELIMINARY	NICKEL	0.76 μm AU	-	-	35.56±0.20	7	7-796634-5			
	PRELIMINARY	NICKEL	0.76 μm AU	-	-	30.48±0.20	6	7-796634-4			
	PRELIMINARY	NICKEL	0.76 μm AU	-	-	25.40±0.20	5	7-796634-3			
	PRELIMINARY	NICKEL	0.76 μm AU	-	-	20.32±0.15	4	7-796634-2			
	PRELIMINARY	NICKEL	0.76 μm AU	-	-	15.24±0.15	3	7-796634-1			
	PRELIMINARY	NICKEL	0.76 μm AU	-	-	10.16±0.15	2	7-796634-0			
		NICKEL	TIN	-	△	40.64	8	6-796634-9			
		NICKEL	TIN	△7/△9	DETAIL Z	91.44±0.30	18	6-796634-8			
		NICKEL	TIN	△7/△9	DETAIL Y	81.28±0.30	16	6-796634-7			
PRELIMINARY	NICKEL	TIN	△7/△9	DETAIL X	15.24±0.15	3	6-796634-6				
PRELIMINARY	NICKEL	TIN	△8/△9	DETAIL W	101.60±0.35	20	6-796634-5				
		NICKEL	TIN	△7/△9	DETAIL V	15.24±0.15	3	6-796634-4			
PRELIMINARY	NICKEL	TIN	△7/△9	DETAIL T	15.24±0.15	3	6-796634-3				
PRELIMINARY	NICKEL	TIN	△7/△9	DETAIL S	10.16±0.15	2	6-796634-2				
		.000008 GOLD OVER NICKEL	.000008 GOLD OVER NICKEL	-	-	10.16±0.15	2	5-796634-6			
PRELIMINARY	NICKEL	GOLD FLASH	-	-	-	25.40±0.20	5	5-796634-5			
PRELIMINARY	NICKEL	GOLD FLASH	-	-	-	20.32±0.15	4	5-796634-4			
PRELIMINARY	NICKEL	GOLD FLASH	-	-	-	10.16±0.15	2	5-796634-2			
PRELIMINARY	NICKEL	TIN	△8	DETAIL P3	45.72	9	5-796634-1				
PRELIMINARY	NICKEL	TIN	△8	DETAIL P2	45.72	9	5-796634-0				
		NICKEL	TIN	△7/△9	DETAIL A-A	45.72	9	4-796634-9			
PRELIMINARY	NICKEL	TIN	△8	DETAIL PI	20.32±0.15	4	4-796634-5				
PRELIMINARY	NICKEL	TIN	△7/△9	DETAIL R	71.12	14	4-796634-4				
		NICKEL	TIN	△8/△9	DETAIL P	55.88	11	4-796634-2			
		NICKEL	TIN	△7/△9	DETAIL P	55.88	11	4-796634-1			
		NICKEL	TIN	△8	DETAIL N	35.56±0.20	7	4-796634-0			
		NICKEL	TIN	△7/△9	DETAIL M	81.28±0.30	16	3-796634-9			
		NICKEL	TIN	△8/△9	DETAIL K	81.28±0.30	16	3-796634-8			
		NICKEL	TIN	△7/△9	DETAIL J	121.92±0.35	24	3-796634-7			
		NICKEL	TIN	△8/△9	DETAIL H	121.92±0.35	24	3-796634-6			
		NICKEL	TIN	△7/△9	DETAIL G	121.92±0.35	24	3-796634-5			
		NICKEL	TIN	△8/△9	DETAIL F	121.92±0.35	24	3-796634-4			
		NICKEL	TIN	△7/△9	DETAIL E	50.80	10	2-796634-8			
		NICKEL	TIN	△7/△9	DETAIL D	40.64	8	2-796634-7			
		NICKEL	TIN	-	-	127.00±0.35	25	2-796634-5			
		NICKEL	TIN	-	-	121.92±0.35	24	2-796634-4			
		NICKEL	TIN	-	-	116.84±0.35	23	2-796634-3			
		NICKEL	TIN	-	-	111.76±0.35	22	2-796634-2			
		NICKEL	TIN	-	-	106.68±0.35	21	2-796634-1			
		NICKEL	TIN	-	-	101.60±0.35	20	2-796634-0			
		NICKEL	TIN	-	-	96.52±0.35	19	1-796634-9			
		NICKEL	TIN	-	-	91.44±0.30	18	1-796634-8			
		NICKEL	TIN	-	-	86.36±0.30	17	1-796634-7			
		NICKEL	TIN	-	-	81.28±0.30	16	1-796634-6			
		NICKEL	TIN	-	-	76.20±0.30	15	1-796634-5			
		NICKEL	TIN	-	-	71.12	14	1-796634-4			
		NICKEL	TIN	-	-	66.04	13	1-796634-3			
		NICKEL	TIN	-	-	60.96	12	1-796634-2			
		NICKEL	TIN	-	-	55.88	11	1-796634-1			
		NICKEL	TIN	-	-	50.80	10	1-796634-0			
		NICKEL	TIN	-	-	45.72	9	796634-9			
		NICKEL	TIN	-	-	40.64	8	796634-8			
		NICKEL	TIN	-	-	35.56±0.20	7	796634-7			
		NICKEL	TIN	-	-	30.48±0.20	6	796634-6			
		NICKEL	TIN	-	-	25.40±0.20	5	796634-5			
		NICKEL	TIN	-	-	20.32±0.15	4	796634-4			
		NICKEL	TIN	-	-	15.24±0.15	3	796634-3			
		NICKEL	TIN	-	-	10.16±0.15	2	796634-2			
					CLAMP PLATING	CONTACT PLATING	MARKING	SPECIAL	L	NO OF POSN	PART NUMBER

THIS DRAWING IS A CONTROLLED DOCUMENT. DWG: S.WELDON 18OCT2000
 CHK: D.BIEVENOUR 18OCT2000
 APVD: D.BIEVENOUR 18OCT2000

TE Connectivity

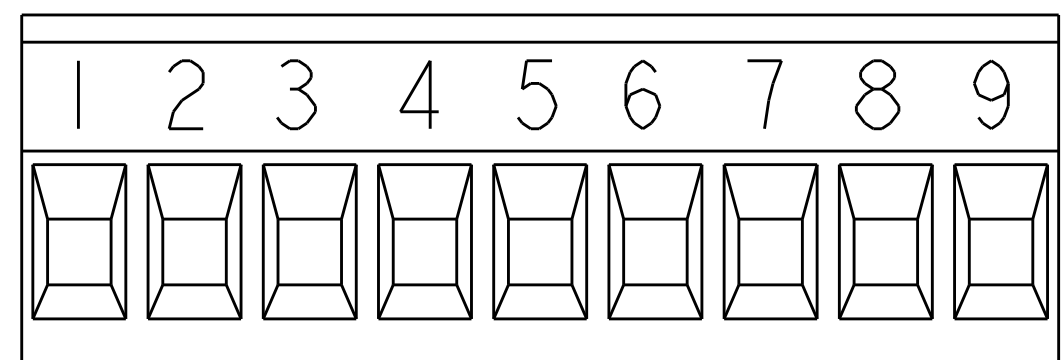
NAME: TERMINAL BLOCK, PLUG, STACKING, 5.08mm PITCH

SIZE: A1 CAGE CODE: 796634 DRAWING NO: 796634 SHEET 1 OF 3

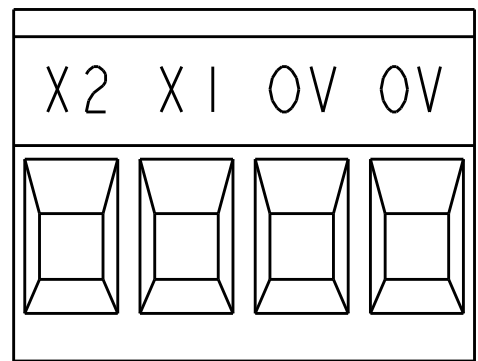
SCALE: 5:1

REVISIONS: R11

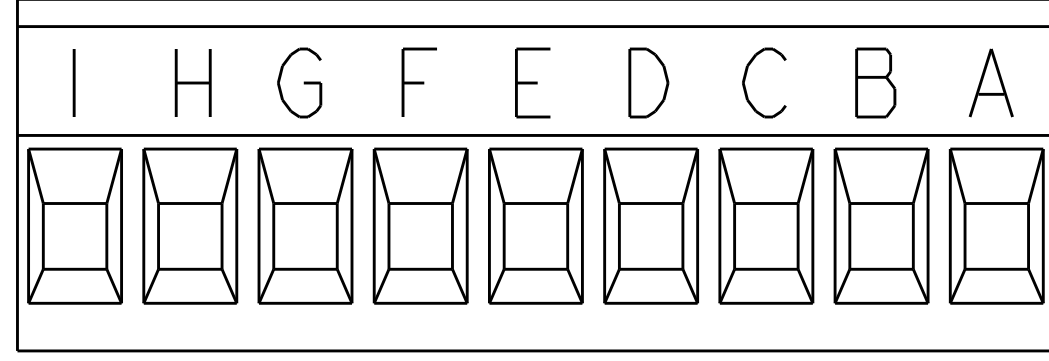
LOC	DIST	REVISIONS			
FT	0	REV	DATE	BY	APPV
		1	SEE SHEET 1		



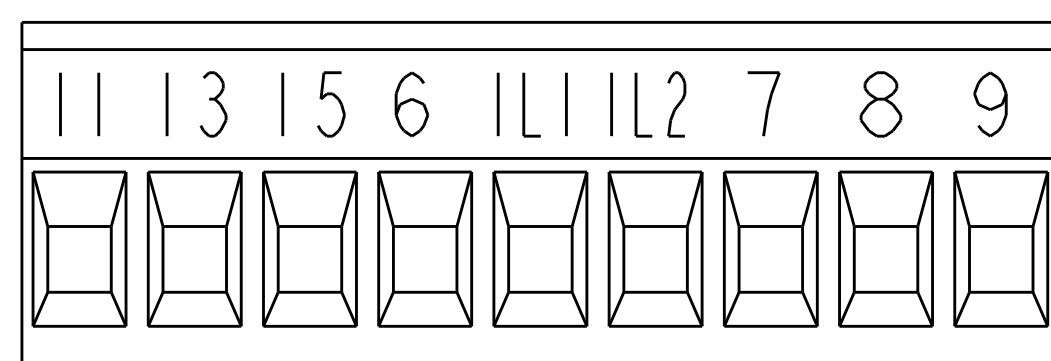
DETAIL A-A



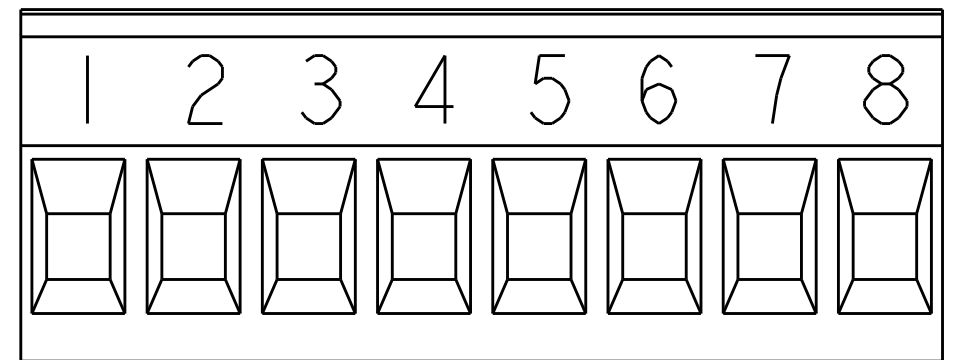
DETAIL P1



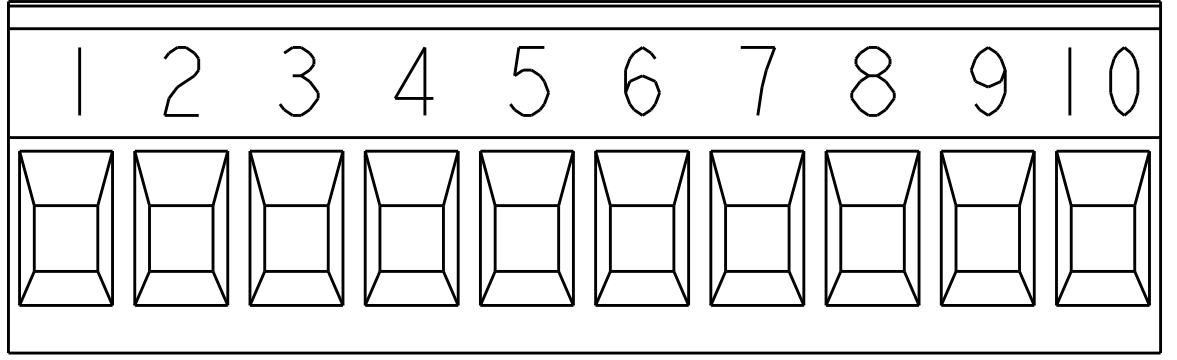
DETAIL P2



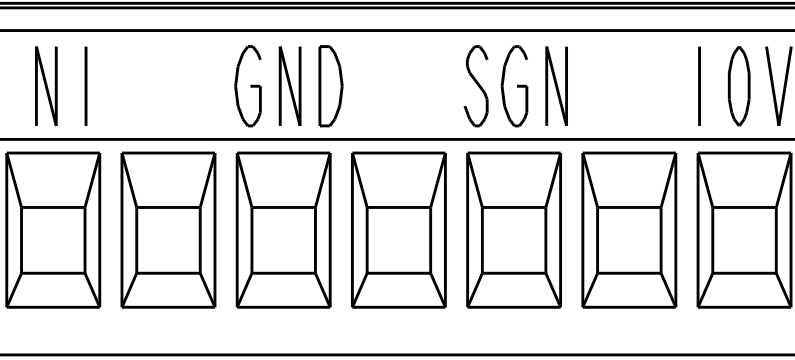
DETAIL P3



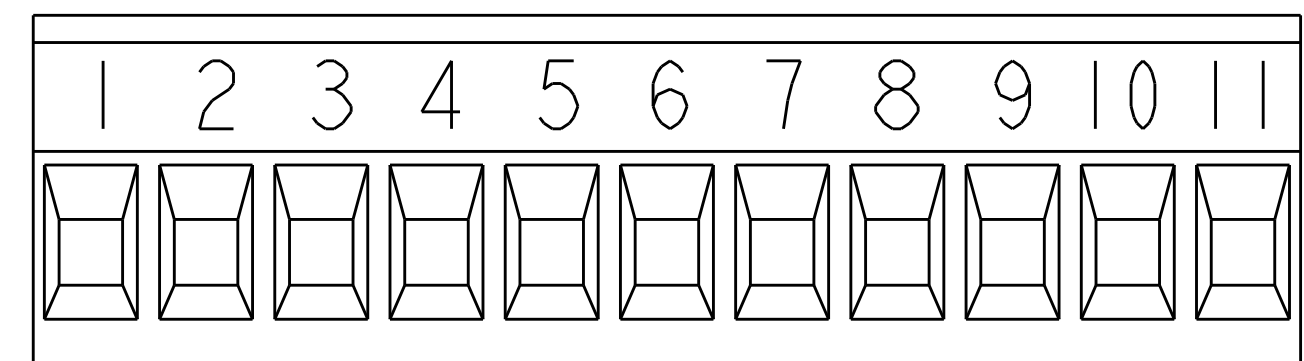
DETAIL D



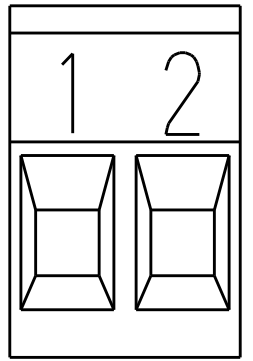
DETAIL E



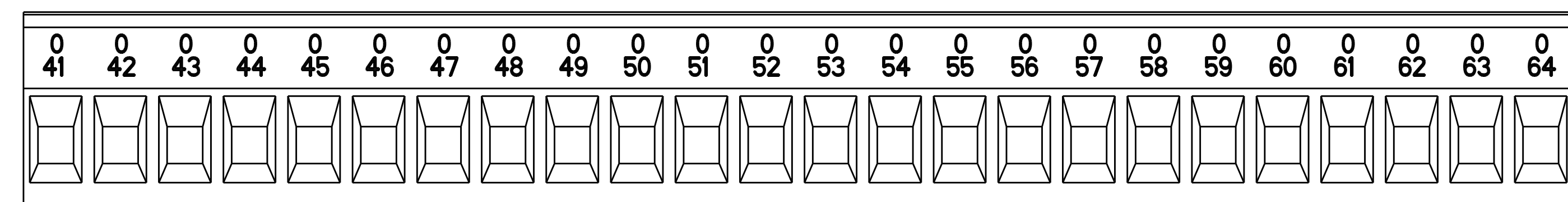
DETAIL N



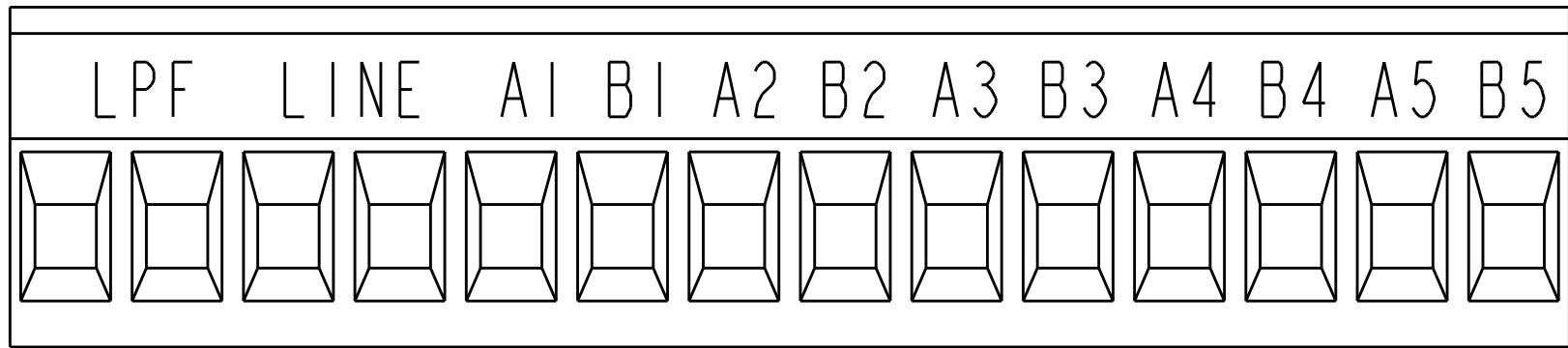
DETAIL P



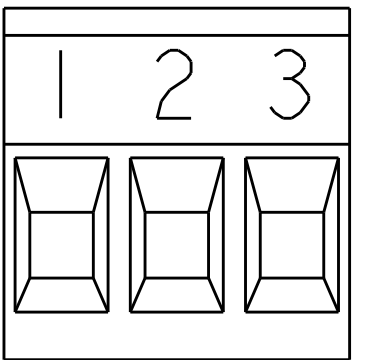
DETAIL S



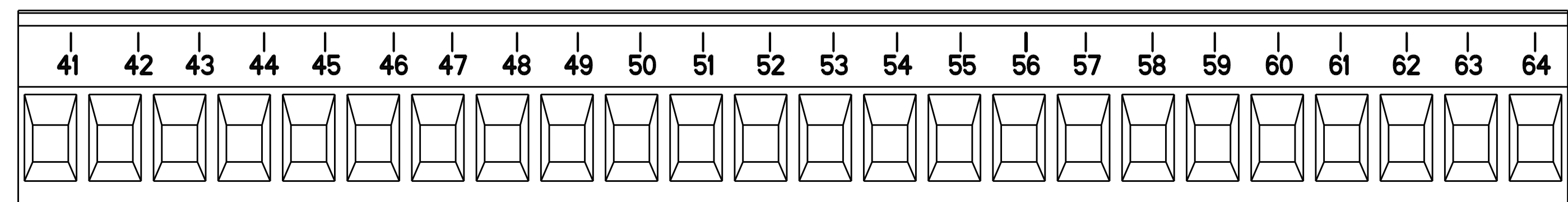
DETAIL F



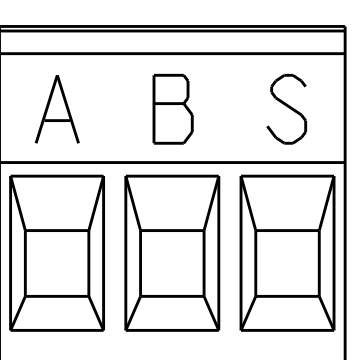
DETAIL R



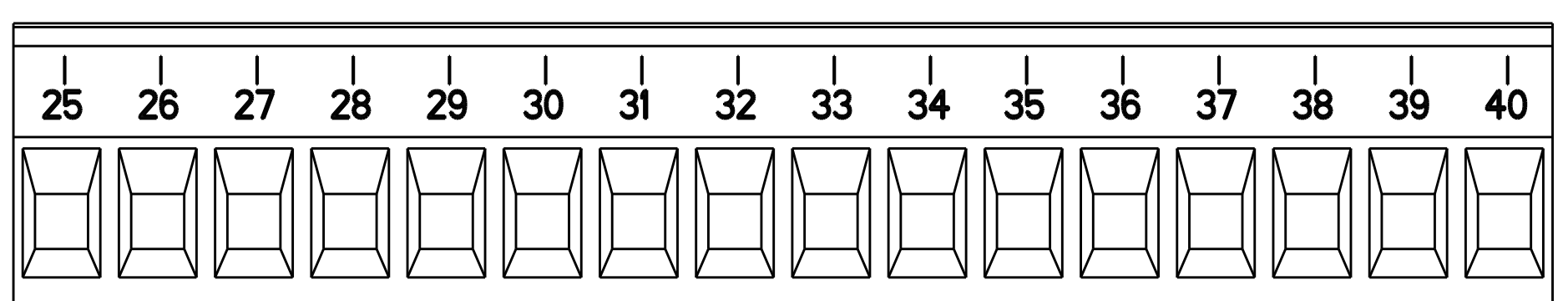
DETAIL T



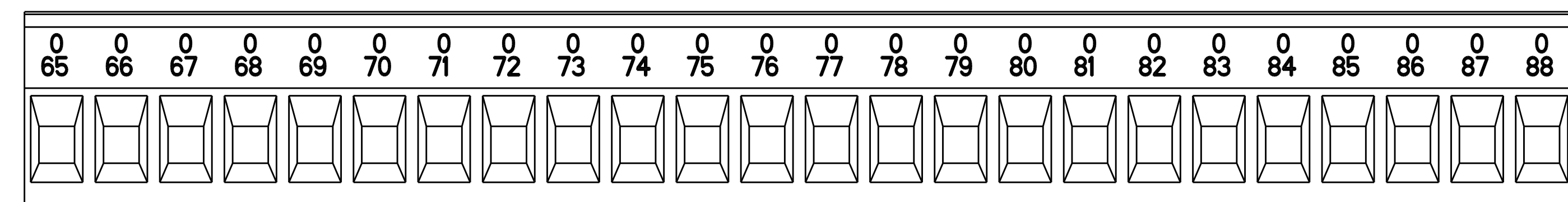
DETAIL G



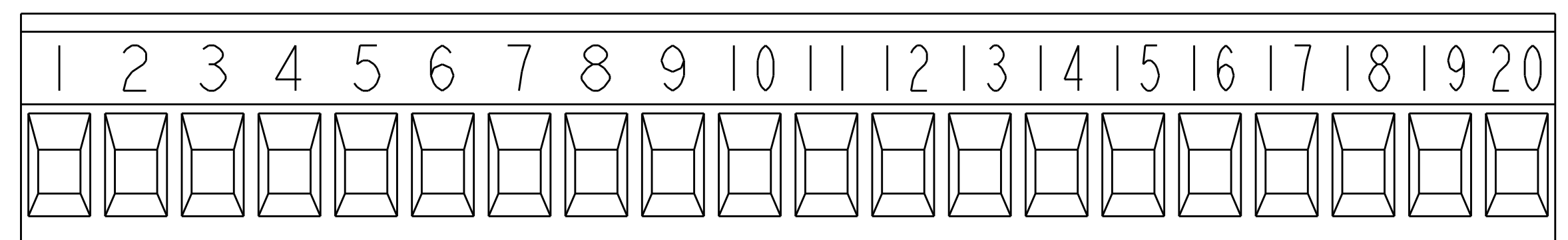
DETAIL V



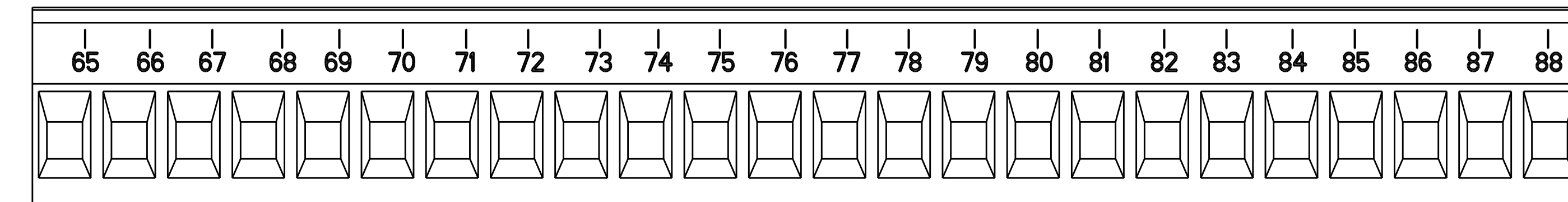
DETAIL M



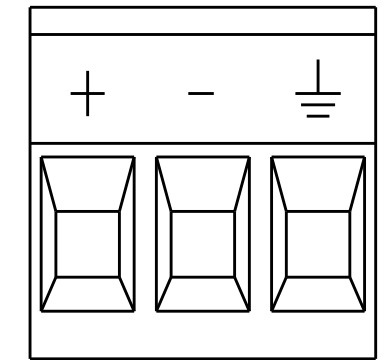
DETAIL H



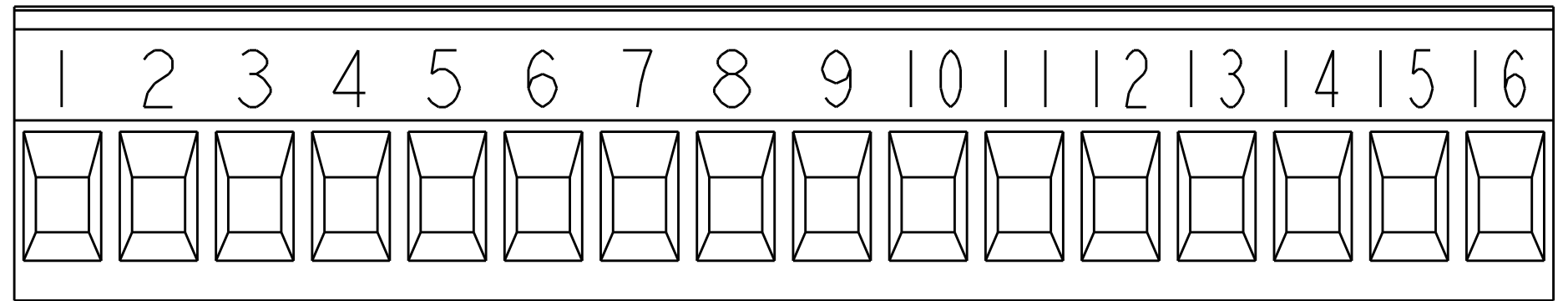
DETAIL W



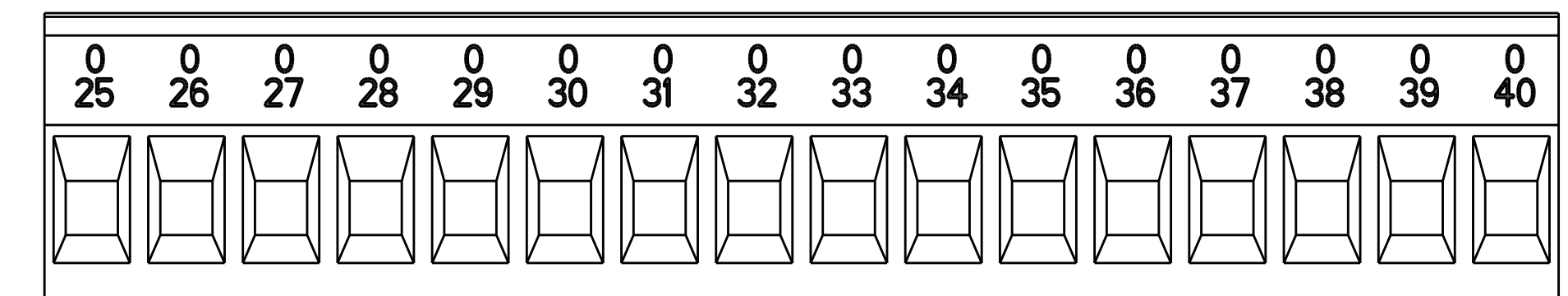
DETAIL J



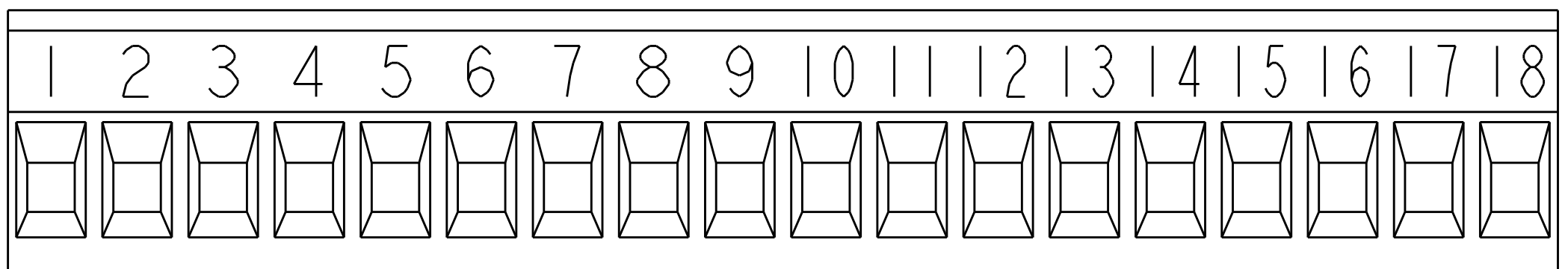
DETAIL X



DETAIL Y



DETAIL K



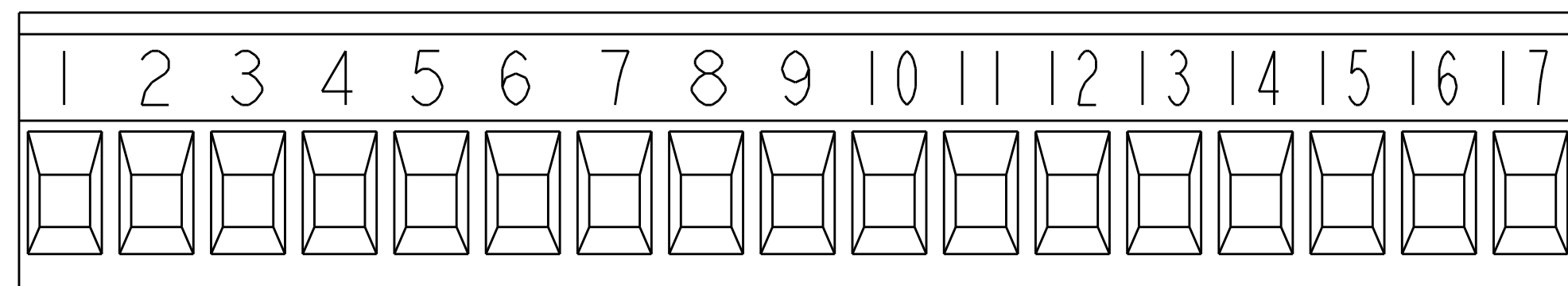
DETAIL Z

THIS DRAWING IS A CONTROLLED DOCUMENT.

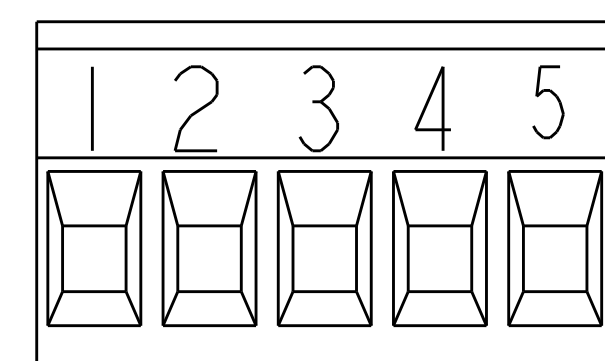
DIMENSIONS:	TOLERANCES UNLESS OTHERWISE SPECIFIED:	OWN: S. WELDON 18OCT2000	TE Connectivity NAME: TERMINAL BLOCK, PLUG, STACKING, 5.08mm PITCH SIZE: A100779 CAGE CODE: 796634 SCALE: 4:1 SHEET 2 OF 3
mm	0 PLC ±0.3	CHEK: D. BIEVENOUR 18OCT2000	
	1 PLC ±0.25	APVD: D. BIEVENOUR 18OCT2000	
	2 PLC ±0.25	PRODUCT SPEC:	
MATERIAL:	FINISH:	APPLICATION SPEC:	RESTRICTED TO:
		WEIGHT:	
		CUSTOMER DRAWING:	

THIS DRAWING IS UNPUBLISHED. RELEASED FOR PUBLICATION 20
 © COPYRIGHT 20 BY - ALL RIGHTS RESERVED.

LOC		DIST		REVISIONS			
FT	0	P	LTN	DESCRIPTION	DATE	DWN	APVD
-	-	-	-	SEE SHEET 1	-	-	-



DETAIL AB



DETAIL AC

PRELIMINARY	NICKEL CLAMP PLATING	TIN CONTACT PLATING	∇_7 ∇_9 MARKING	DETAIL AC SPECIAL	25.40 L	5 NO OF POSN	8-796634-5 PART NUMBER
THIS DRAWING IS A CONTROLLED DOCUMENT.			DWN S. WELDON 18OCT2000	TE Connectivity NAME TERMINAL BLOCK, PLUG, STACKING, 5.08mm PITCH			
DIMENSIONS:			CHK D. BIEVENOUR 18OCT2000				
mm			APVD D. BIEVENOUR 18OCT2000	PRODUCT SPEC			
TOLERANCES UNLESS OTHERWISE SPECIFIED:			APPLICATION SPEC				
0 PLC ±			WEIGHT				
1 PLC ±0.3			SIZE CAGE CODE DRAWING NO				
2 PLC ±0.25			A100779C=796634				
3 PLC ±			RESTRICTED TO				
4 PLC ±			CUSTOMER DRAWING				
ANGLES ±			SCALE 4:1 SHEET 3 OF 3				
FINISH			REV				