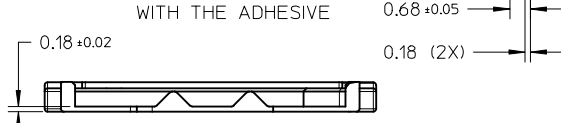
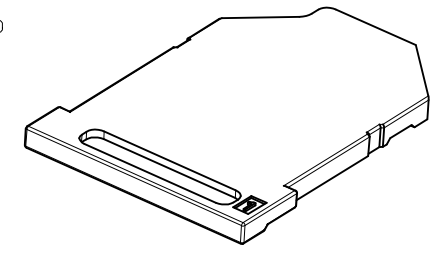
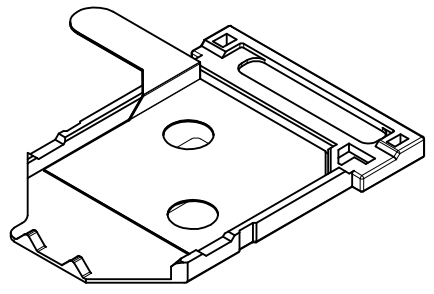
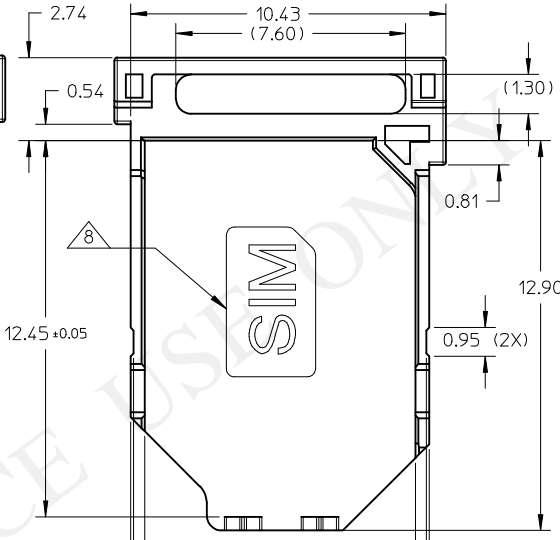
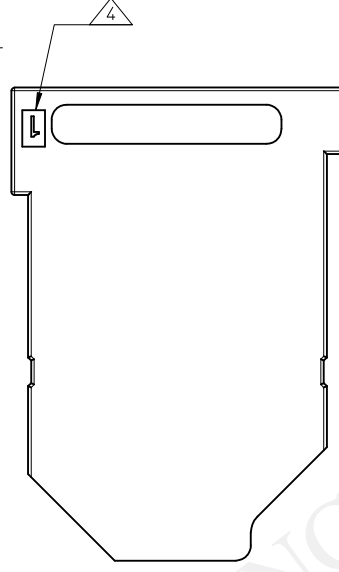
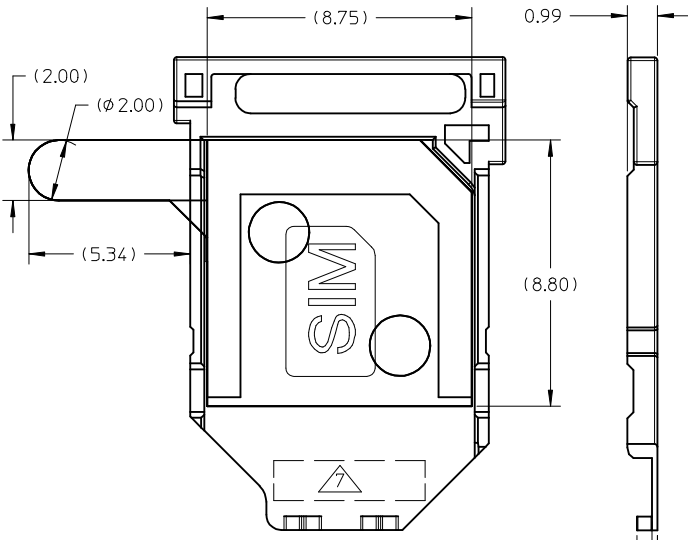
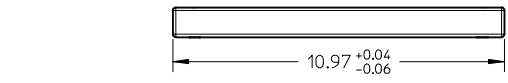


THIS DESIGN IS BASED ON DESIGN OBJECTIVES AND IS STRICTLY TENTATIVE. IT MAY CHANGE BASED ON RESULTS OF ADDITIONAL DESIGN REVIEWS & VERIFICATIONS.

- NOTES:
1. MATERIALS:
POM, HB, BLACK
 2. PACKAGING SPECIFICATION: PK-151073-0002
 3. TRAY TO BE USED TOGETHER WITH MOLEX CONNECTOR (P/NO.:151073-0001/1000) ONLY.
- △4. CAVITY NO. LOCATION.
5. ALL WARPAGE: 0.25MM MAX.
 6. UNLESS OTHERWISE SPECIFIED, FLASHES & MISMATCH SHALL NOT EXCEED 0.10MM.
- △7. LOCATION OF INK-MARKED DATECODE.
- △8. LOCATION OF LASER-MARKED SIM ICON.

RELEASED EC NO: S2015-1050 U DRWNS:SCHEONG 2015/03/19 CHKD:GMENARLY 2015/05/18 APPR:KHLIM 2015/05/18	DESCRIPTION REV	QUALITY SYMBOLS	GENERAL TOLERANCES (UNLESS SPECIFIED)		DIMENSION STYLE MM ONLY		SCALE NTS	DESIGN UNITS METRIC	THIRD ANGLE PROJECTION	
		▽ _A =0	mm	INCH	DRAWN BY	DATE	TITLE			
		▽ _B =0	4 PLACES ± --- ± ---	3 PLACES ± --- ± ---	SCHEONG	2014/07/16	TRAY FOR 1.32MM HT NANO SIM CONNECTOR WITH DETECT PIN			
		▽ _C =0	2 PLACES ± 0.10 ± ---	1 PLACE ± --- ± ---	GMENARLY	2015/03/10				
▽ _D =0	0 PLACE ± --- ± ---	ANGULAR ± 1 °		APPROVED BY	DATE	DOCUMENT NO.		SHEET NO.		
DRAFT WHERE APPLICABLE MUST REMAIN WITHIN DIMENSIONS			SIZE A3		THIS DRAWING CONTAINS INFORMATION THAT IS PROPRIETARY TO MOLEX INCORPORATED AND SHOULD NOT BE USED WITHOUT WRITTEN PERMISSION					

TRAY WITH TAPE P/N	ADHESIVE P/N
151073-0033	151073-0035



NOTES:

- MATERIALS:
TRAY: POM, HB, COOL GRAY 8U
ADHESIVE: SEKISUI 3805BS, 0.05MM, BLACK
- PACKAGING SPECIFICATION: PK-151073-0002
- TRAY TO BE USED TOGETHER WITH MOLEX CONNECTOR (P/NO.:151073-0001/1000) ONLY.
- △4 CAVITY NO. LOCATION.
- ALL WARPAGE: 0.25MM MAX.
- UNLESS OTHERWISE SPECIFIED, FLASHES & MISMATCH SHALL NOT EXCEED 0.10MM.
- △7 LOCATION OF LASER-MARKED DATECODE.
- △8 LOCATION OF LASER-MARKED SIM ICON, WITHOUT LASER THE LETTERS.
- △9 ADHESIVE TAPE COVERED WITH RELEASE PAPER. SEE SD-151073-0008 FOR DETAILS ON ADHESIE TAPE.
- THE TRAY SHOULD NOT BE USED WITH SIM CUTTING CARD (0.76-0.84 THICKNESS)

WITHOUT THE ADHESIVE

THIS DESIGN IS BASED ON DESIGN OBJECTIVES AND IS STRICTLY TENTATIVE. IT MAY CHANGE BASED ON RESULTS OF ADDITIONAL DESIGN REVIEWS & VERIFICATIONS.

B

A

RELEASED EC NO: S2016-0054 DRWN:SCHEONG 2015/07/02 CHKD: APPR:SCHEONG 2015/07/14	QUALITY SYMBOLS	GENERAL TOLERANCES (UNLESS SPECIFIED)		DIMENSION STYLE MM ONLY		SCALE NTS	DESIGN UNITS METRIC	THIRD ANGLE PROJECTION	
	▽ _A =0	mm	INCH	DRAWN BY	DATE	TITLE			
	▽ _G =0	4 PLACES ± --- ± ---	3 PLACES ± --- ± ---	SCHEONG	2015/04/23	TRAY, SLOT FINGER ACCESS NANO SIM CONNECTOR WITH DETECT PIN			
	▽ _P =0	2 PLACES ± 0.10 ± ---	1 PLACE ± --- ± ---	CHECKED BY	DATE	molex			
		0 PLACE ± --- ± ---				APPROVED BY		DATE	
		ANGULAR ± 1 °	DRAFT WHERE APPLICABLE MUST REMAIN WITHIN DIMENSIONS		SCHEONG		2015/04/24		
					MATERIAL NO.		DOCUMENT NO.		SHEET NO.
					151073-0033		SD-151073-0007		1 OF 1
					THIS DRAWING CONTAINS INFORMATION THAT IS PROPRIETARY TO MOLEX INCORPORATED AND SHOULD NOT BE USED WITHOUT WRITTEN PERMISSION				