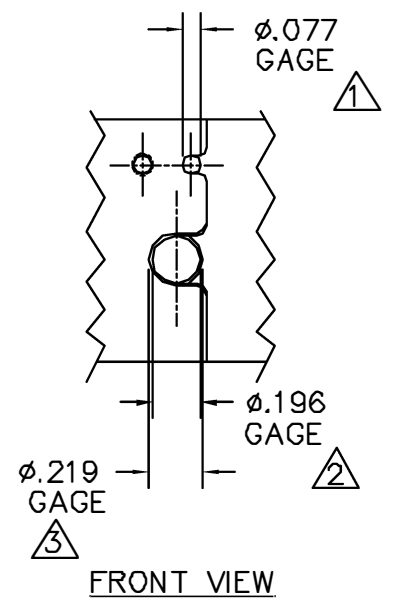
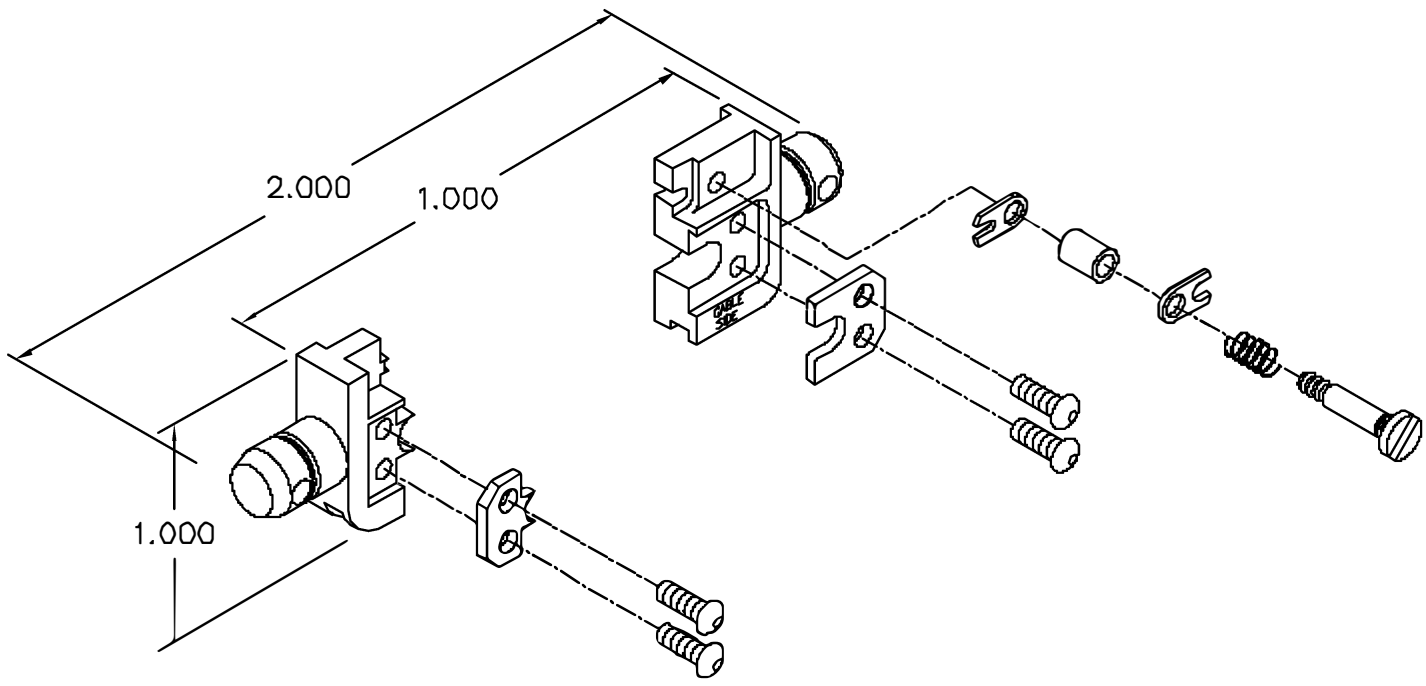


REVISIONS				
REV. SYM.	ECO. NUMBER	DESCRIPTION	BY DATE	APP'D DATE
1		ORIGINAL RELEASE	JWJ 11/13/99	RRR 11/13/99



**UNCONTROLLED DOCUMENT
WILL NOT BE UPDATED**

- △³ USE GAGE G625.
 △² USE GAGE G624.
 △¹ USE GAGE G623.

NOTES:

RESTRICTED & CONFIDENTIAL <small>CONFIDENTIAL PROPERTY OF DANIELS MANUFACTURING CORP. NOT TO BE DISCLOSED TO OTHERS, REPRODUCED OR USED FOR ANY OTHER PURPOSE, EXCEPT AS AUTHORIZED IN WRITING BY DANIELS MANUFACTURING. MUST BE RETURNED TO DANIELS MANUFACTURING CORP. ON COMPLETION OF ORDER OR OTHER PURPOSE FOR WHICH LENT.</small>	MATERIAL	ITEM	PART NO.	QTY.	DESCRIPTION/REMARKS
	HEAT TREAT	DRN	J. JOYCE	DATE	11/13/99
		CHK'D.	RRR	DATE	11/13/99
	FINISH	APP'D.		DATE	
APP'D.			DATE		
TITLE DIE SET (AMP 220045-2 MODC) ENVELOPE DRAWING					
WHERE USED:					
DO NOT SCALE DRAWING		SIZE	SCALE	CAD P/N	SHEET
		B	NTS	Y588-ENV	1 OF 1
		POSTING		P/N	REV.
				Y588-ENV	1