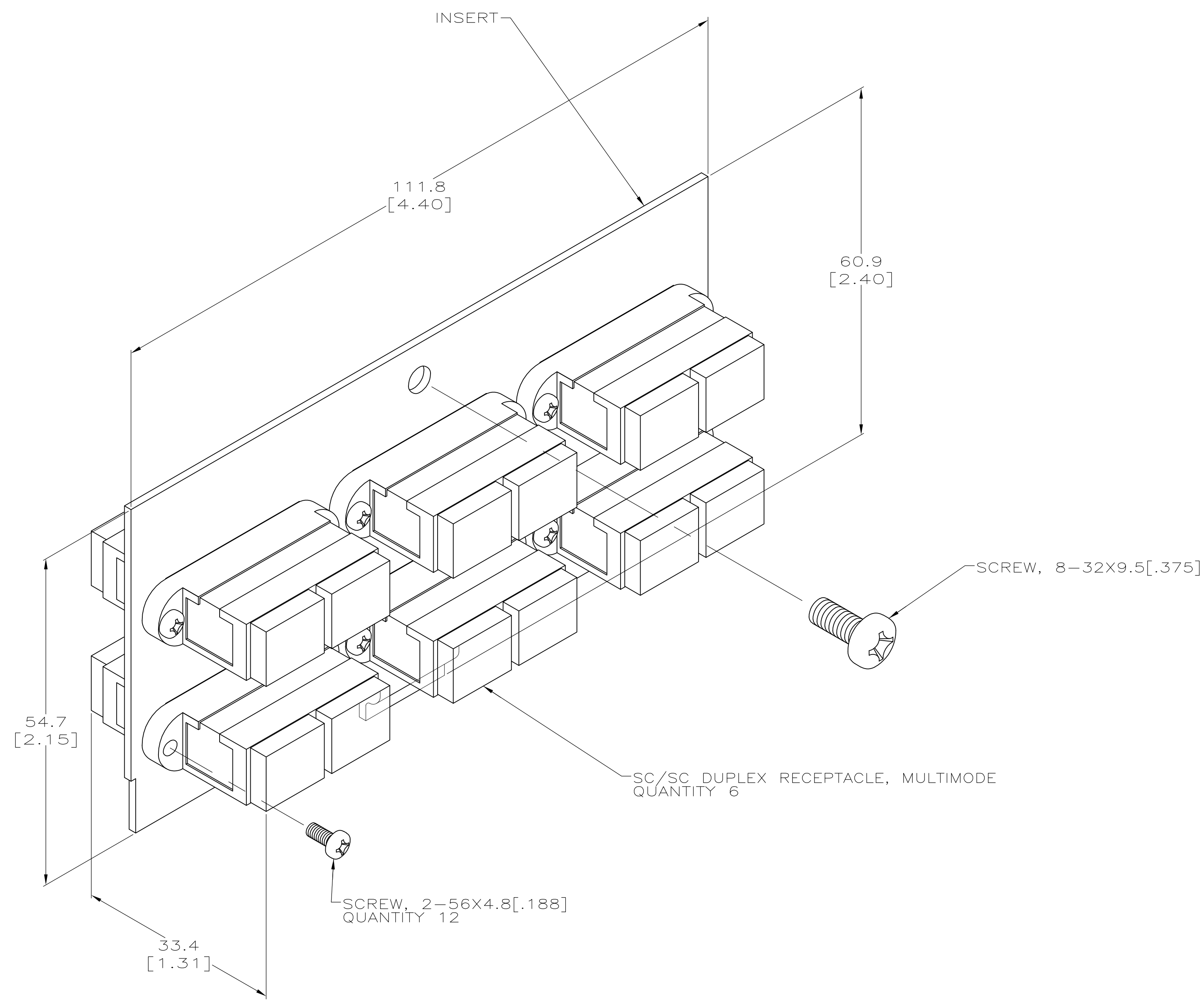


LOC	DIST	REVISIONS				
		REV	DESCRIPTION	DATE	BY	CHK
HM	00	B	ADDED -2 PER 0B40-0303-01	06NOV01	LH	SH
		C	OBS REV-ECO-08-031689	23FEB09	LH	SH
		D	RE-ACT -1, ADD -3, REV ECO-09-008594	07APR09	LH	SH

- 1 MATERIAL:  
 INSERT - 1.27±.18[.050±.007] THICK  
 PREGALVANIZED G90 CARBON STEEL.  
 DUPLEX RECEPTACLE HOUSING - NORYL N-190X,  
 LT ALMOND (-1), GREEN (-3).
- 2 SCREW, 8-32X9.5[.375], SHIPPED LOOSE.



<b>OBSELETE</b>	GREEN SC-SC	406788-3
	SINGLE MODE	406788-2
	MULTI MODE	406788-1
	DESCRIPTION	PART NO.

THIS DRAWING IS A CONTROLLED DOCUMENT.		DIN L HALL 06NOV2001 CHK L SMITH 06NOV01 APVD S HERNDON 06NOV01 PRODUCT SPEC APPLICATION SPEC	Tyco Electronics Corporation Harrisburg, PA 17105-3608 NAME MODULE ASSEMBLY, SC/SC DUPLEX FIBER, CONSOLIDATION POINT
DIMENSIONS: mm [INCHES]	TOLERANCES UNLESS OTHERWISE SPECIFIED: 0 PLC ± - 1 PLC ± 0.25[.01] 2 PLC ± - 3 PLC ± - 4 PLC ± - ANGLES ± -	SIZE CAGE CODE DRAWING NO A1 00779 C=406788	RESTRICTED TO CUSTOMER DRAWING
MATERIAL FINISH 1		WEIGHT -	SCALE 2:1 SHEET 1 OF 1 REV D