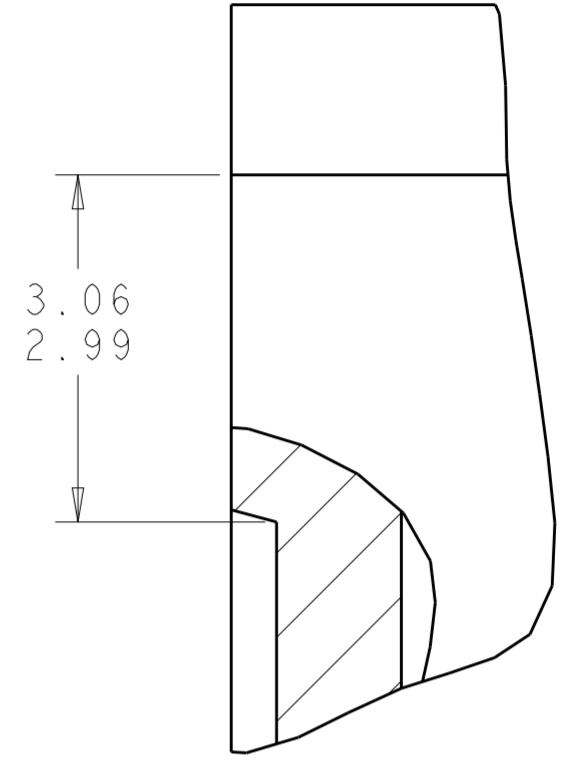
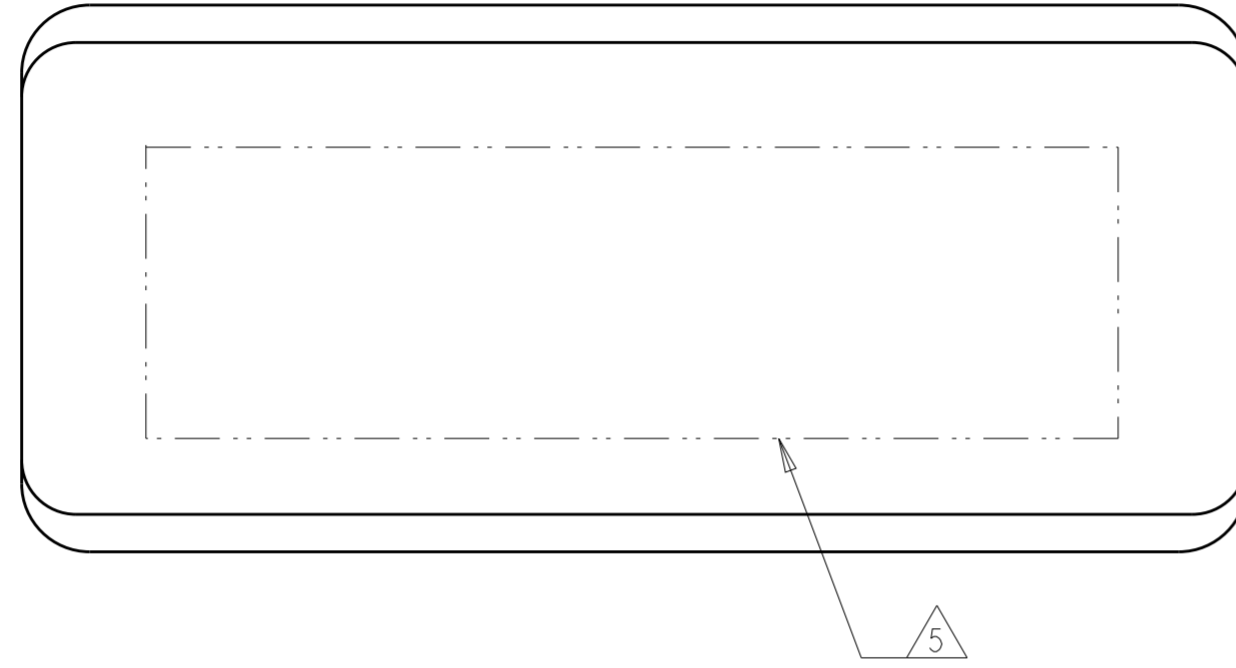


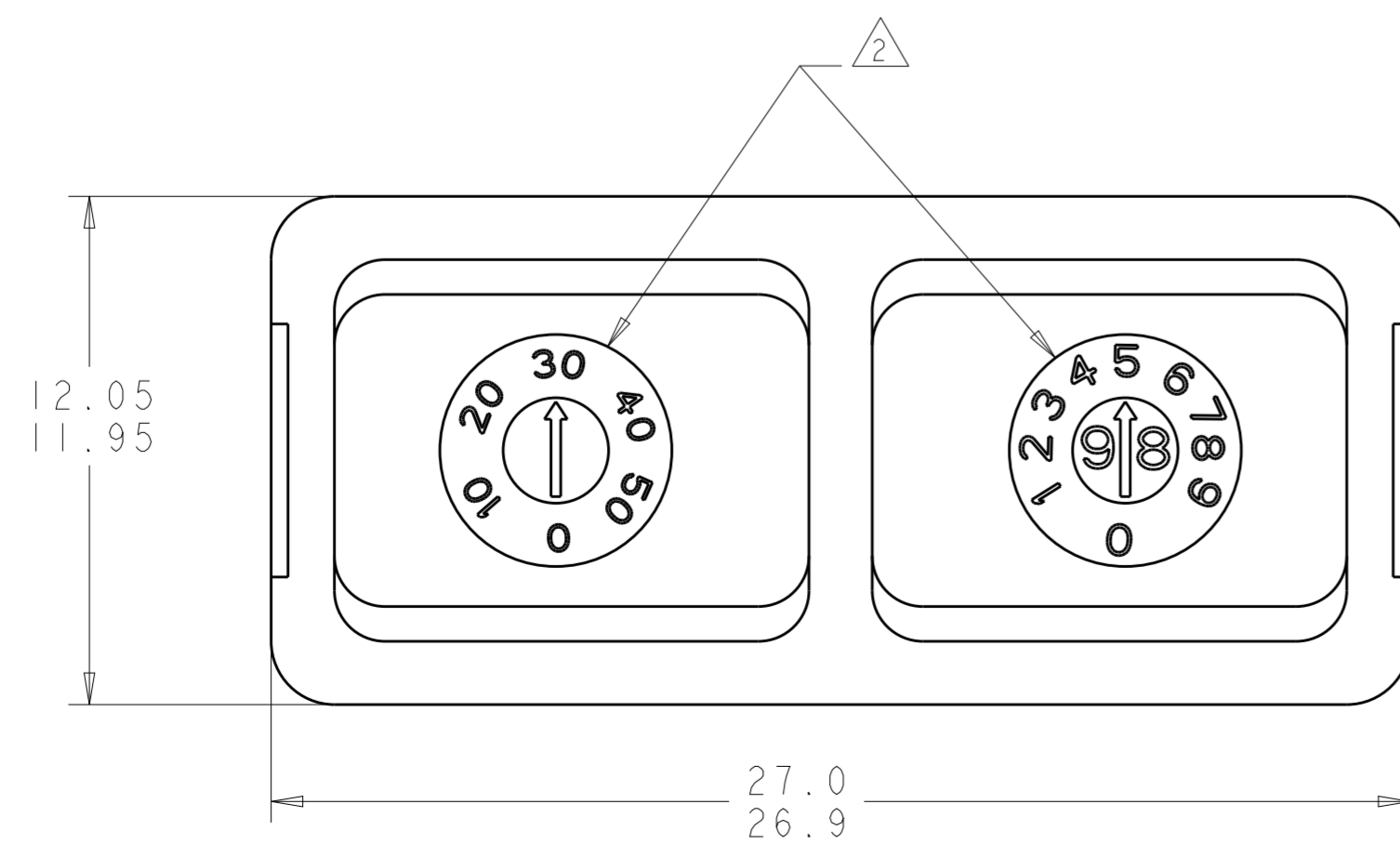
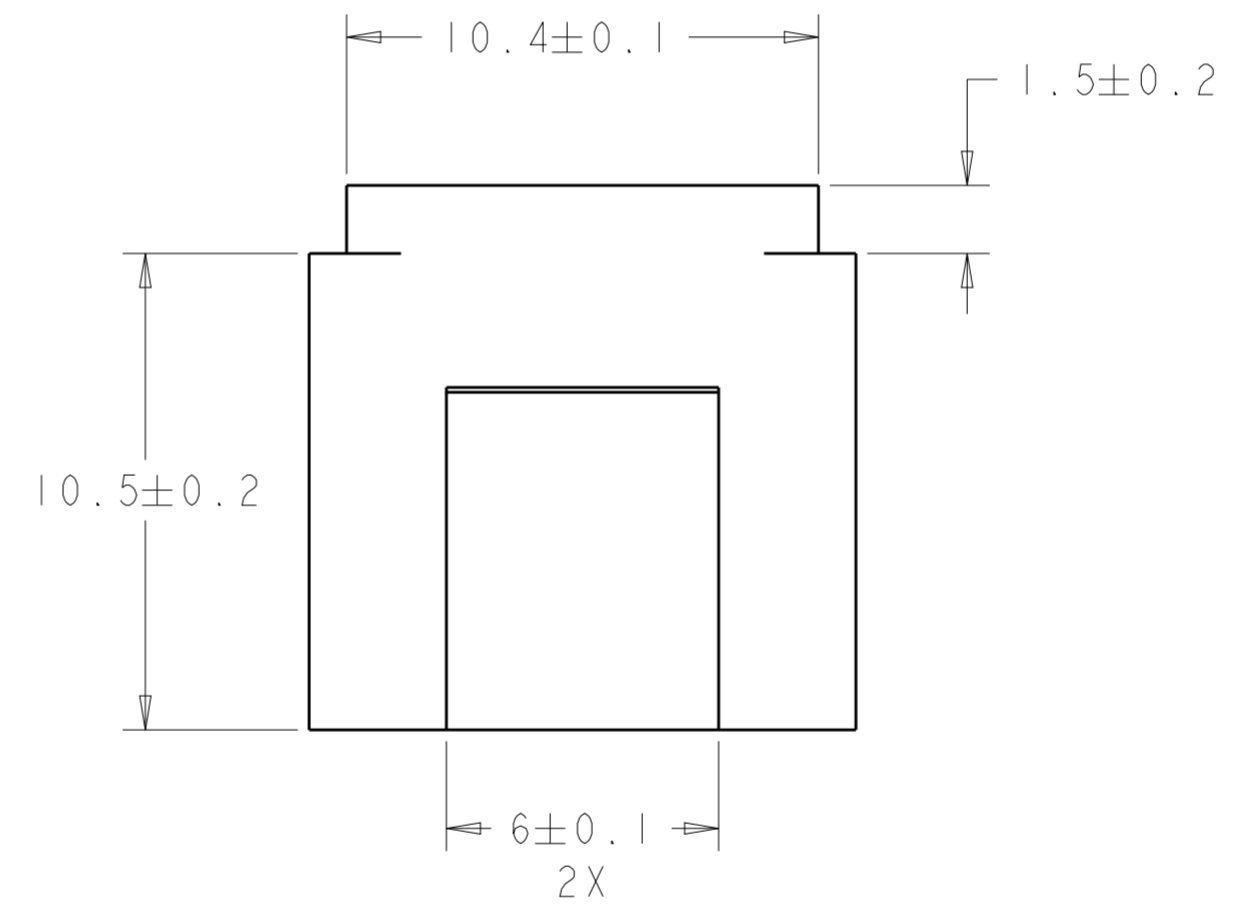
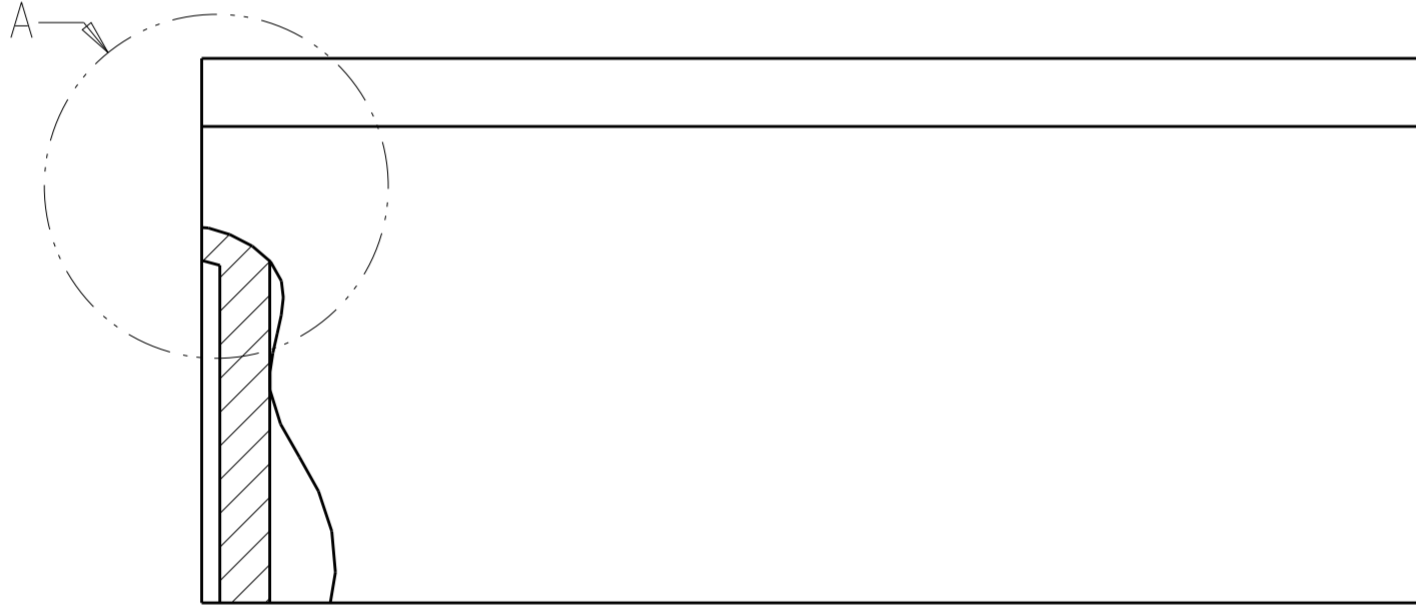
THIS DRAWING IS UNPUBLISHED. RELEASED FOR PUBLICATION 20
 © COPYRIGHT 20 BY - ALL RIGHTS RESERVED.

REVISIONS					
P	LTR	DESCRIPTION	DATE	DWN	APVD
	A	RELEASED PER ECO 14-000202	1-7-14	CT	KH



DETAIL A
 SCALE 15:1
 2 PLC

SEE DETAIL



- ① MATERIAL: PEI THERMOPLASTIC PER ASTM D5205.
- ② DATE CODE: YEAR - WEEK. (98 - 35 SHOWN).
- 3. DESCRIPTIVE PART NUMBER: GPRBNOO.
- 4. THIS PRODUCT IS SOLD BY TE CONNECTIVITY UNDER A LICENSE FROM RADIAL SA.
- ⑤ TE LOGO AND TE PART NO. SHALL BE MARKED APPROXIMATELY IN THIS AREA.

1738085-1
 PART NUMBER

THIS DRAWING IS A CONTROLLED DOCUMENT.		DWN BH 12 JUL 2005	TE Connectivity	
DIMENSIONS: mm		CHK JPM 12 JUL 2005		
TOLERANCES UNLESS OTHERWISE SPECIFIED:		APVD JPM 12 JUL 2005	NAME BLANK INSERT, GPRB	
0 PLC ±		PRODUCT SPEC	-	
1 PLC ±0.1		APPLICATION SPEC	-	
2 PLC ±0.1		WEIGHT	-	
3 PLC ±		Customer Drawing	SIZE A200779	CAGE CODE C-1738085
4 PLC ±		SCALE 6:1	SHEET 1 OF 1	REV A
ANGLES ±				
FINISH -				