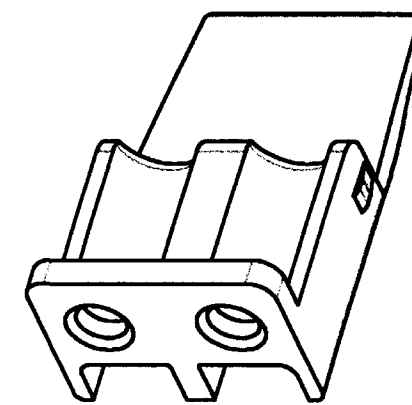
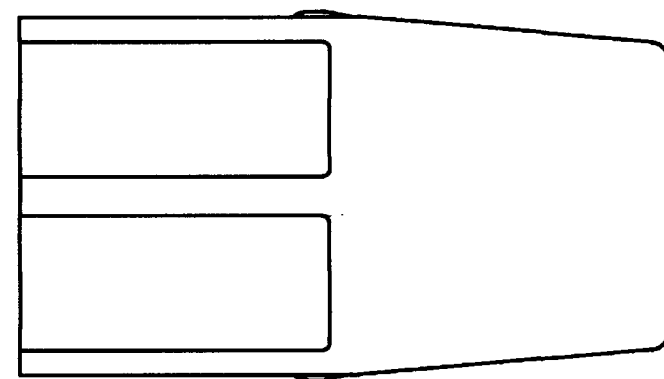
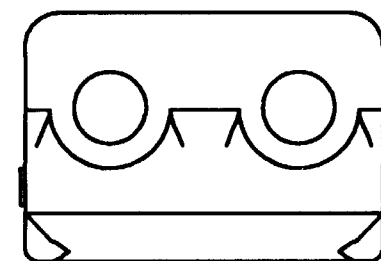
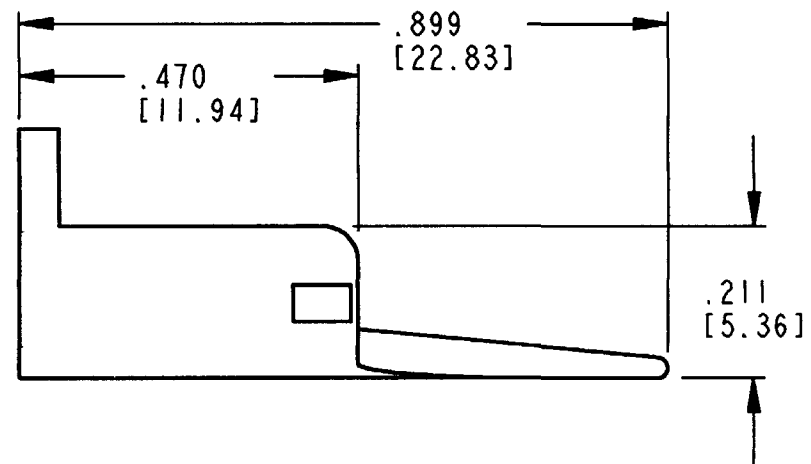
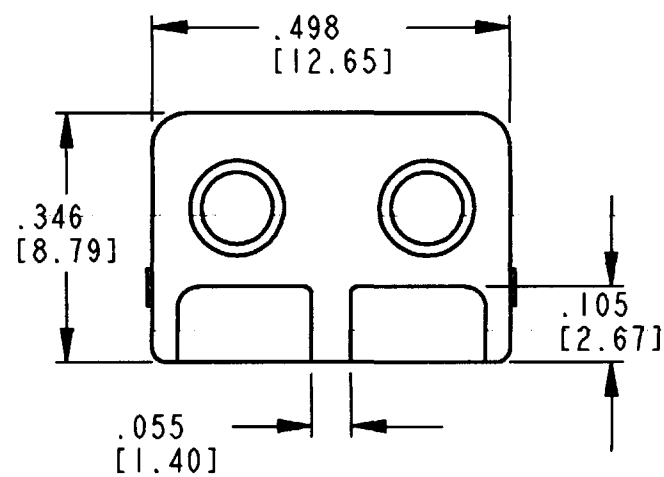
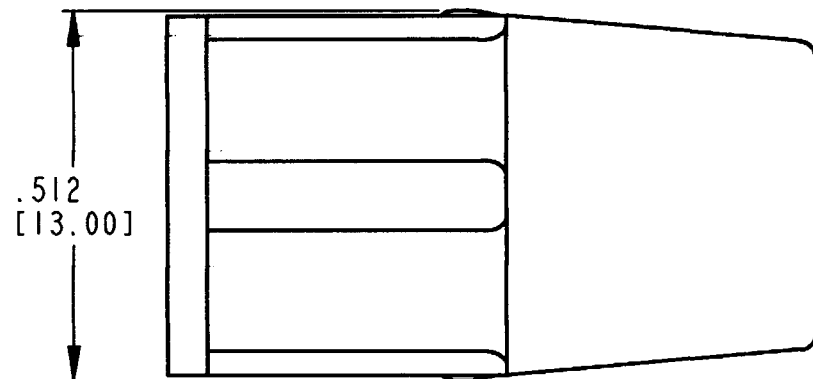


|     |       |
|-----|-------|
| REV | WP-2S |
| NC  |       |

| REVISIONS |                             |         |          |
|-----------|-----------------------------|---------|----------|
| SYM       | DESCRIPTION                 | DATE    | APPROVED |
| NC        | NEW RELEASE PER E.O. P15586 | 3-31-98 | RDR      |
|           |                             |         |          |
|           |                             |         |          |
|           |                             |         |          |



SCALE 3.0

- NOTES: 1. DIMENSIONS ARE IN INCHES [MM].
2. DIMENSION TOLERANCE:  $\pm .015$  [ .38 ].
3. THIS PART MATES WITH DTP06-2S PLUG.
4. COLOR: ORANGE.

| SIGNATURE & DATE |                          |
|------------------|--------------------------|
| DR               | V. TOMSA MAR-18-98.      |
| CHK              | D. Meyer 3/31/98         |
| PE               | Robert J. P... MAR-31-98 |
| APPD             | R. R... 3/31/98          |
| SCALE            | 4:1                      |
| WT               |                          |

WEDGE LOCK  
FOR 2 CONT. PLUG  
HOUSING  
DTP SERIES

ENVELOPE

|  |                       |
|--|-----------------------|
| CP EPO45   | MATL. CODE            |
| <b>The Deutch Company</b><br>DEUTSCH I.P.D.<br>3850 INDUSTRIAL AVE.<br>HEMET, CALIF. 92545 |                       |
| <b>B</b>   | <b>WP-2S</b>          |
| DWG SIZE   | CODE 11139 SHEET   OF |