

PLEASE CHECK WWW.MOLEX.COM FOR LATEST PART INFORMATION

Part Number: [74059-2521](#)

Status: **Active**

Overview: [VHDM® Backplane Connector Systems](#)

Description: VHDM® Single-Ended Board-to-Board Backplane Header, 2.00mm Pitch, Vertical, 6-Rows, Guide Pin Signal Module, Shield End Version, 150 Circuits, Pin Length 4.75mm, Keying Orientation B. Series:74074 Enables designers to create custom loaded connectors utilizing standard pin lengths 4.25, 4.75, 5.15 and 6.25mm

Documents:

[3D Model](#)

[Drawing \(PDF\)](#)

[Product Specification PS-74031-999 \(PDF\)](#)

[RoHS Certificate of Compliance \(PDF\)](#)

General

Product Family	Backplane Connectors
Series	74059
Application	Backplane
Application Tooling Documents	TM-622010999
Comments	Position B
Component Type	PCB Header
Overview	VHDM® Backplane Connector Systems
Product Name	VHDM®
UPC	800753258426

Physical

Circuits (Loaded)	150
Circuits (maximum)	150
Color - Resin	Black
Durability (mating cycles max)	200
First Mate / Last Break	No
Guide to Mating Part	Yes
Keying to Mating Part	Yes
Material - Metal	Beryllium Copper, High Performance Alloy (HPA), Stainless Steel
Material - Plating Mating	Gold
Material - Plating Termination	Matte Tin
Material - Resin	High Temperature Thermoplastic
Number of Columns	25
Number of Pairs	Open Pin Field
Number of Rows	6
Orientation	Vertical
PC Tail Length	2.50mm
PCB Locator	No
PCB Retention	None
PCB Thickness - Recommended	1.80mm
Packaging Type	Tube
Pitch - Mating Interface	2.00mm
Pitch - Termination Interface	1.00mm
Polarized to PCB	Yes
Surface Mount Compatible (SMC)	Yes
Temperature Range - Operating	-55°C to +105°C
Termination Interface: Style	Through Hole - Compliant Pin

Electrical

Current - Maximum per Contact	2.0A
Data Rate	3.125 Gbps
Shield Type	Ground Plane Shield

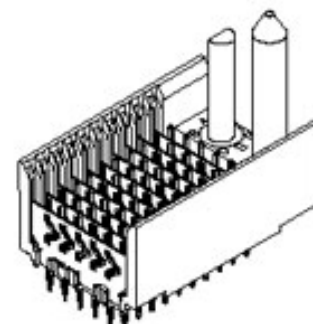


image - Reference only

Series

EU RoHS

ELV and RoHS Compliant

REACH SVHC

Not Reviewed

Low-Halogen Status

Not Reviewed

China RoHS



Need more information on product environmental compliance?

Email productcompliance@molex.com
For a multiple part number RoHS Certificate of Compliance, [click here](#)

Please visit the [Contact Us](#) section for any non-product compliance questions.

Search Parts in this Series

[74059Series](#)

Mates With

[74030 VHDM® Board-to-Board Daughtercard Receptacle](#)

Application Tooling | FAQ

Tooling specifications and manuals are found by selecting the products below. Crimp Height Specifications are then contained in the Application Tooling Specification document.

Global

Description	Product #
Signal Pin Inserter	0622015700
Repair Tool	
6-Row Pin and Shield Repair Tool	0622015800
6-Row Shield Extraction Tool	0622016000
Insertion Module for Advanced Mate Signal Header, 6-	0622020204

Shielded
Voltage - Maximum

Yes
120V AC (RMS)/DC

Material Info

Reference - Drawing Numbers

Product Specification
Sales Drawing

PS-74031-999
SD-74059-002

VHDM and Very High Density Metric are trademarks of Amphenol Corporation

Row by 25-Wide,
50.00mm
Insertion Module 0622020208
for Standard Shield
Signal Header, 6-
Row by 25-Wide,
50.00mm

This document was generated on 04/16/2015

PLEASE CHECK WWW.MOLEX.COM FOR LATEST PART INFORMATION