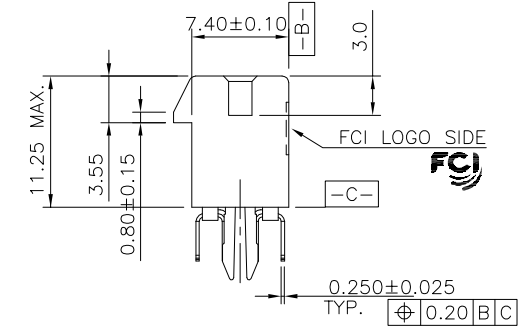
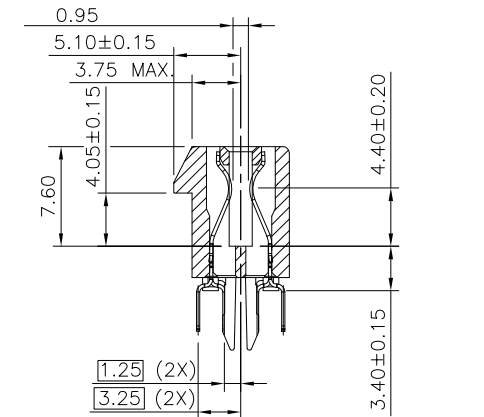
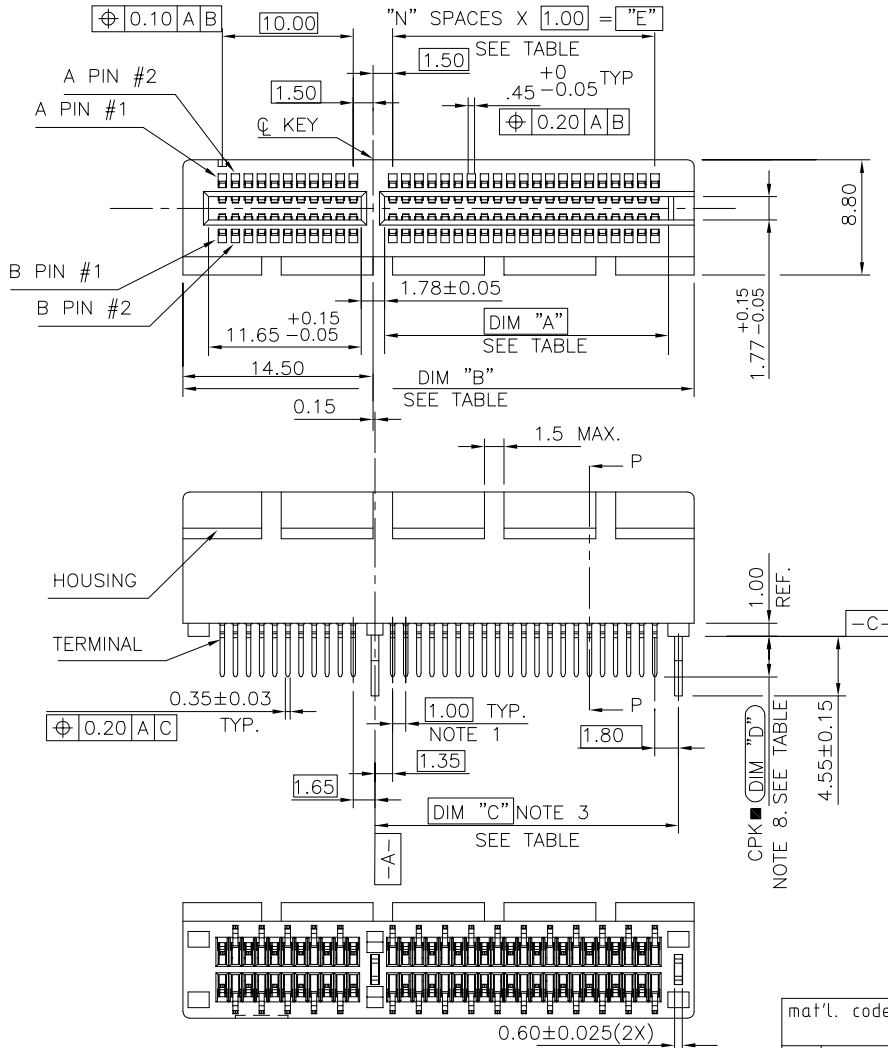


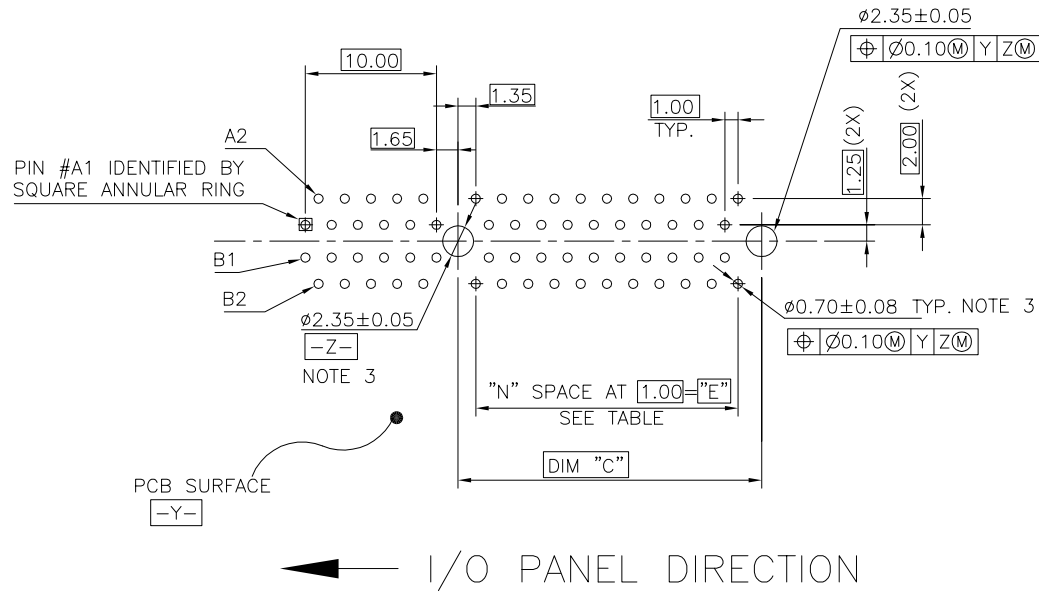
TWIN PLASTIC PEG TYPE

mat'l. code	surface	tolerance	projection	product family
-	-	ASME_Y14.5		PCI_EXPRESS
ltr ecn no dr date	tolerances unless otherwise specified			title
C ELX-05-22909 LZH 2016-03-04			MM	PCI_EXPRESS_CARD_EDGE_GEN3 ONE_OPEN_END_STB_ASS'Y
	angles	.0±.30	scale N/A	dwg no sheet 1 of 5 size
	±2°	.00±.020 .000±.010		
	dr	ZHENHUA_LIU 2016-03-04		10124782 A4
	engr	ZHENHUA_LIU 2016-03-04		
	chr	STONE_LI 2016-03-04		
	appd	PM_ZHENG 2016-03-04		
sheet index	revision sheet	C 5		type CUSTOMER Drawing

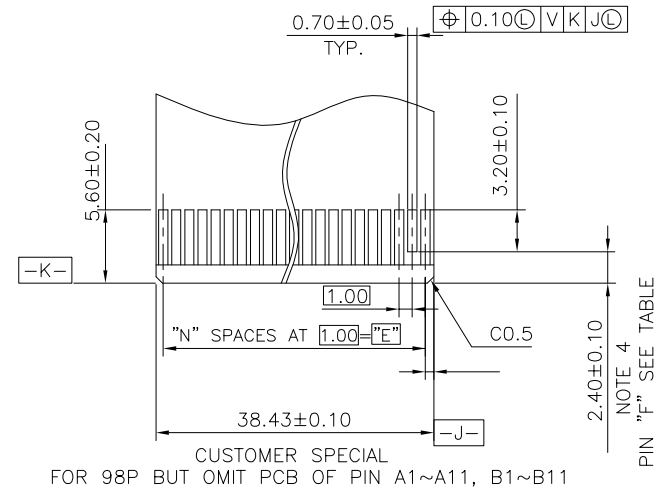
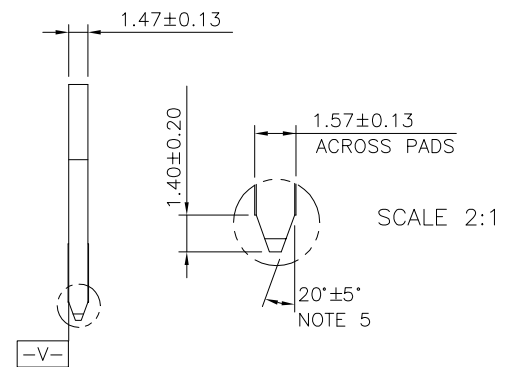
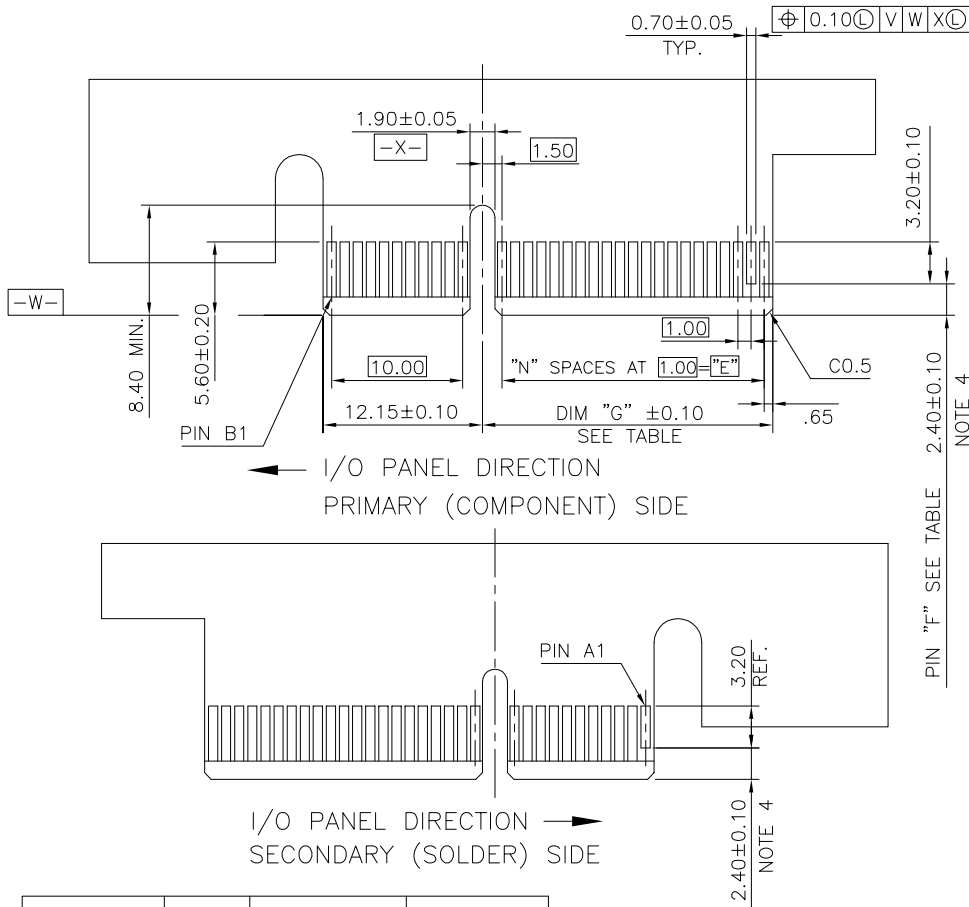


METAL BOARD LOCKS TYPE

mat'l. code		surface		tolerance		projection		product family	
-		-		ASME_Y14.5				PCI_EXPRESS	
ltr		ecn no		date				title	
						MM		PCI_EXPRESS_CARD_EDGE_GEN3	
						scale N/A		ONE_OPEN_END_STB_ASS'Y	
								dwg no	
								sheet 2 of 5	
								10124782	
								A4	
								type	
								CUSTOMER Drawing	
sheet index		revision sheet		C					
5		5							



mat'l. code		surface		tolerance		projection		product family	
-		-		ASME_Y14.5				PCI_EXPRESS	
ltr		ecn no		date				title	
						MM		PCI_EXPRESS_CARD_EDGE_GEN3	
						scale N/A		ONE_OPEN_END_STB_ASS'Y	
								dwg no	
								sheet 3 of 5	
								10124782	
								A4	
								type	
								CUSTOMER Drawing	
sheet index		revision sheet		C					
		5							



ADD-IN CARD EDGE-FINGER DIMENSIONS

mat'l. code		surface		tolerance		projection		product family	
-		-		ASME_Y14.5		MM		PCI_EXPRESS	
ltr		ecn no		date		tolerances unless otherwise specified		title	
						.0±.020		PCI_EXPRESS_CARD_EDGE_GEN3	
						.00±.010		ONE_OPEN_END_STB_ASS'Y	
						±2°		scale N/A	
						.000±.005		dwg no	
								sheet 4 of 5	
								size	
								A4	
								10124782	
								type	
								CUSTOMER Drawing	
sheet		revision		c					
index		sheet		5					

NOTES:

1.MATERIAL:

HOUSING: HIGH TEMPERATURE NYLON, GLASS FILLED UL94V-0 RATED.
TERMINAL: COPPER ALLOY.

PLATING: 50u" NICKEL UNDERPLATE ALL OVER
CONTACT AREA PLATING - SEE PRODUCT NUMBER CODE
SOLDER TAIL: TIN OR TIN /LEAD(90/10)- SEE PRODUCT
NUMBER CODE 100u" MIN. OVER 50u" NICKEL.

METAL BOARD LOCKS: COPPER ALLOY.
FINISH: 100u" TIN OR TIN/LEAD(90/10) OVER 50u" NICKEL
UNDERPLATE SEE PRODUCT NUMBER CODE.

2.PRODUCT SPECIFICATION: GS-12-233 OR GS-12-858.

③THE HORIZONTAL AXIS FOR THE HOLE PATTERN IS ESTABLISHED BY

A LINE THROUGH THE CENTER OF THE TWO Ø2.35 HOLES.
THE VERTICAL AXIS IS 90° TO THE HORIZONTAL AXIS, THROUGH THE CENTER
OF DATUM Z.

④NO TIE BAR PERMITTED FROM CARD EDGE TO LEADING EDGE OF PAD FOR PINS A1 AND PIN NUMBERS "F".

⑤CHAMFER EDGES MUST BE FREE OF CUTTING BURRS.

⑥FREQUENCY & LOCATION AT SUPPLIER DISCRETION. RIDGE MAY BE CONTINUOUS WITH NO BREAKS.

7.RoHS COMPATIBLE PRODUCT SPECIFICATIONS:

a - PLATING:

- "LF" MEANS THE PRODUCT IS LEAD-FREE, 2um MINIMUM MATTE TIN OVER 1.27um
MINIMUM NICKEL UNDERPLATE.

b - MANUFACTURING PROCESS COMPATIBILITY:

- THE HOUSING WILL WITHSTAND EXPOSURE TO 260°C±5°C TEMPERATURE FOR
10 SECONDS IN RE-FLOW APPLICATION, REFER TO GS-14-858 FOR OPERATING.

PRODUCT NUMBER CODE

10124782 -x x x x x x □ □

HOUSING COLOR OPTIONS

- 0-NATURAL
- 1-BLACK

PEGS OPTIONS

- 0-PLASTIC PEGS
- 1-METAL BOARD LOCKS 

TERMINAL PLATING OPTIONS

- 0-50u" Ni UNDERPLATE
30u" Au CONTACT AREA
100u" TIN TAIL AREA ----- COMPATIBLE RoHS
- 1-50u" Ni UNDERPLATE
15u" Au CONTACT AREA
100u" TIN TAIL AREA ----- COMPATIBLE RoHS
- 2-50u" Ni UNDERPLATE
GOLD FLASH CONTACT AREA
100u" TIN TAIL AREA ----- COMPATIBLE RoHS
- 3-50u" Ni UNDERPLATE
30u" Au CONTACT AREA
100u" TIN/LEAD TAIL AREA ----- INCOMPLIANT RoHS
- 4-50u" Ni UNDERPLATE
15u" Au CONTACT AREA
100u" TIN/LEAD TAIL AREA ----- INCOMPLIANT RoHS
- 5-50u" Ni UNDERPLATE
GOLD FLASH CONTACT AREA
100u" TIN/LEAD TAIL AREA ----- INCOMPLIANT RoHS

LEAD FREE OPTION

LEAVE BLANK FOR TERMINAL PLATING 3.4.5
"LF" FOR TERMINAL PLATING OPTION 0,1,2

PACKAGING OPTIONS

T-SOFT TRAY PACKAGING
M-SOFT TRAY PACKAGING & MYLAR TAPE. SEE FIGURE 1

POS OPTIONS

- 0-36
- 1-64
- 2-98
- 3-164 

TAIL LENGTH OPTIONS

	DIM "D"	PCB THICKNESS	BOARD LOCKS DIM "G"
0	2.30 $\begin{smallmatrix} +0.25 \\ -0.13 \end{smallmatrix}$	1.56±0.10	1.70±0.15
1	3.10 $\begin{smallmatrix} +0.25 \\ -0.13 \end{smallmatrix}$	2.36±0.10	2.50±0.15
2	2.54±0.25	1.56±0.10	1.70±0.15
3	1.90±0.25	1.56±0.10	1.70±0.15

CONNECTOR	# POS	REF.	N	DIM "A"	DIM "B"	DIM "C"	"E"
1 PORT	36		6	7.65	25.00	9.15	6.00
4 PORT	64		20	21.65	39.00	23.15	20.00
8 PORT	98		37	38.65	56.00	40.15	37.00
16 PORT	164		70	71.65	89.00	73.15	70.00

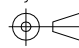
A

A

B

5

B

mat'l. code		surface		tolerance		projection		product family	
-		-		ASME_Y14.5				PCI_EXPRESS	
ltr		ecn no		dr		date		title	
								PCI_EXPRESS_CARD_EDGE_GEN3	
								ONE_OPEN_END_STB_ASS'Y	
								dwg no	
								sheet 5 of 5	
								size	
								A4	
								type	
								CUSTOMER Drawing	
sheet index		revision sheet		c					
5		5							