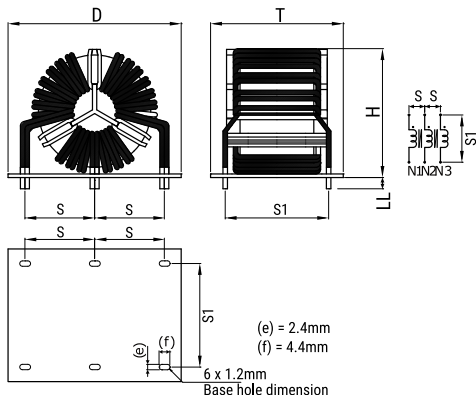


**KEMET Part Number: SC-35-SD040J**  
(UALSC35SD040J0)

KEMET, SC Three Phase, AC Line Filters, Common Mode, 40 uH



Dimensions	
D	80mm MAX
T	62mm MAX
H	65mm MAX
LL	5mm +/-2mm
S	31mm NOM

Packaging Specifications	
Packaging:	Tray
Packaging Quantity:	18
Weight:	306.2 g

General Information	
Series:	SC Three Phase
Style:	Through-Hole
Features:	High Impedance
RoHS:	Yes
Notes:	Lead Spacing (S/S1) Are For Reference Only.
Miscellaneous:	Temperature Rise Maximum: 55 K

Specifications	
Voltage AC:	250 VAC/VDC
Voltage DC:	250 VDC
Inductance:	0.04 mH (100 kHz)
Current:	35 A
Temperature Range:	-25/+120°C
DC Resistance:	2 mOhms