

General Specifications

Motor Protection:

Auto Restart/Polarity Protection

Insulation Resistance:

10M Ω or over with a DC500V Megger

Dielectric Withstand Voltage: AC 700V 1s

Allowable Ambient Temperature Range:

-10°C ~ +70°C (Operating)

-40°C ~ +70°C (Storage)

(non-condensing environment)

Expected Life

Failure Rate: 10%

60°C 40,000 Hours (AA/EA)

Material

Casing : Plastic (Black) UL94V-0

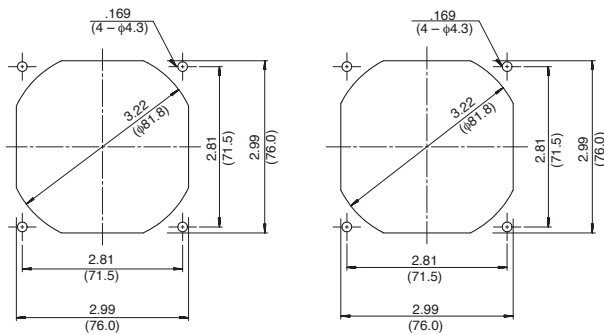
Impeller : Plastic (Black) UL94V-0

Bearing : Ball Bearing

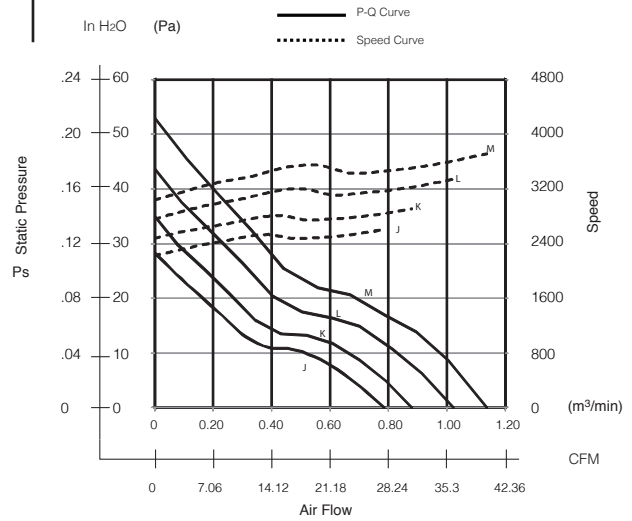
Lead Wire : UL3385, AWG26, +Red, -Black

Panel Cut-Outs

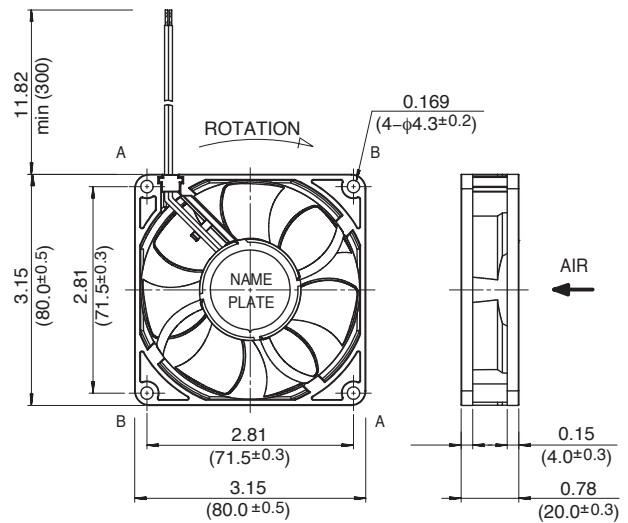
Units: $\frac{\text{inch}}{\text{mm}}$



Characteristic Curves



Outline



Specifications

MODEL	Rated Voltage	Operating Voltage	Current	Input Power	Speed	Max. Air Flow		Max. Static Pressure		Noise	Mass
	(V)	(V)	(A) ^{*1}	(W) ^{*1}	(min ⁻¹) ^{*1}	CFM ^{*1}	(m ³ /min) ^{*1}	in H ₂ O	(Pa) ^{*1}	(dB) ^{*1}	(g)
08020SA-12J-AA-00	12	6.0 ~ 13.8	0.05	0.60	2600	27.5	0.78	0.11	28.3	27.0	80
08020SA-12K-AA-00	12	6.0 ~ 13.8	0.07	0.84	2900	31.1	0.88	0.14	34.9	31.0	80
08020SA-12L-AA-00	12	6.0 ~ 13.8	0.09	1.08	3300	36.0	1.02	0.17	43.6	34.0	80
08020SA-12M-AA-00	12	6.0 ~ 13.2	0.13	1.56	3700	39.9	1.13	0.21	52.8	37.5	80
08020SA-24J-AA-00	24	9.0 ~ 27.6	0.05	1.20	2600	27.5	0.78	0.09	23.5	27.0	80
08020SA-24K-AA-00	24	9.0 ~ 27.6	0.06	1.44	2900	31.1	0.88	0.11	28.5	31.0	80
08020SA-24L-AA-00	24	9.0 ~ 27.6	0.07	1.68	3300	36.0	1.02	0.14	35.0	34.0	80
08020SA-24M-AA-00	24	9.0 ~ 27.6	0.09	2.16	3700	39.9	1.13	0.18	44.0	37.5	80

Rotation: Clockwise

Airflow Outlet: Air Out Over Struts

*1: Average Values in Free Air

Note: PWM/Locked Rotor/Tach Available