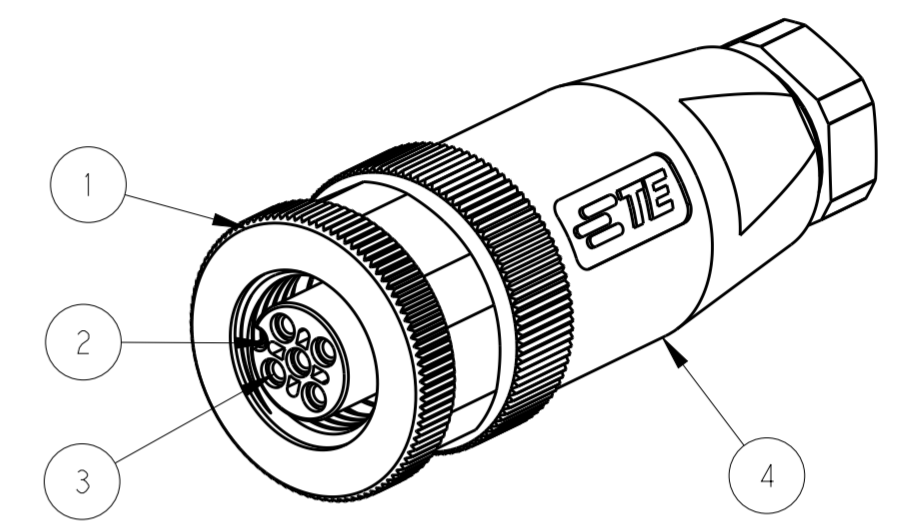
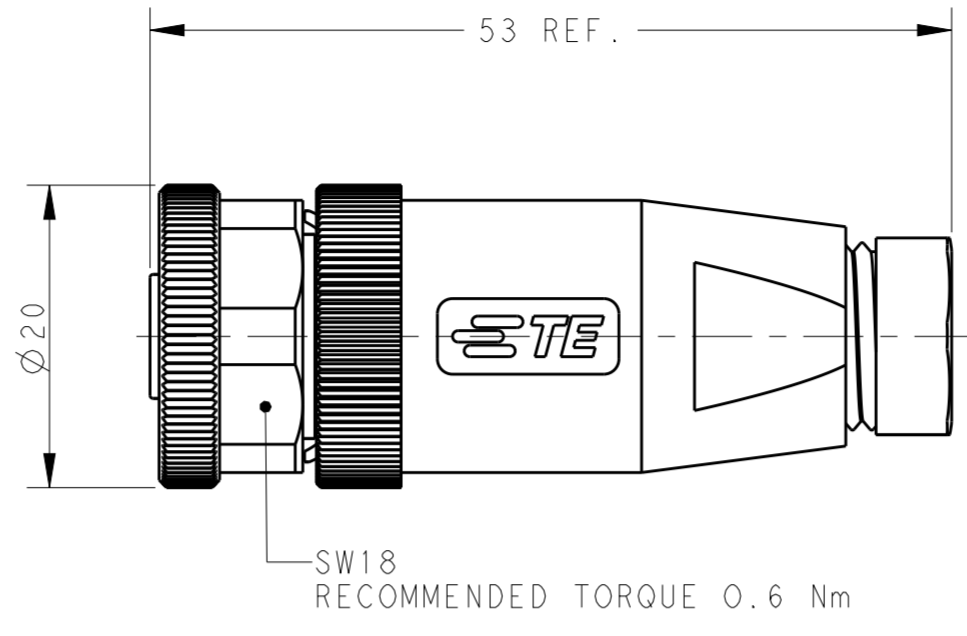
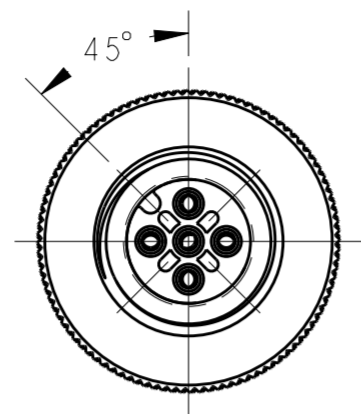


THIS DRAWING IS UNPUBLISHED. RELEASED FOR PUBLICATION 20  
 © COPYRIGHT 20 BY - ALL RIGHTS RESERVED.

| REVISIONS |     |                             |           |       |
|-----------|-----|-----------------------------|-----------|-------|
| P         | LTR | DESCRIPTION                 | DATE      | APVD  |
| A         |     | INITIAL RELEASE             | 08JUL2015 | NP XX |
| A1        |     | ECR-15-018715 ADD 114 SPEC. | 29DEC2015 | NP XX |



| TECHNICAL DATA        | T411000X02X-000 | T411000X03X-000 | T411000X04X-000 | T411000X05X-000 | T411000X08X-000 |
|-----------------------|-----------------|-----------------|-----------------|-----------------|-----------------|
| RATED VOLTAGE         | 250V            | 250V            | 250V            | 60V             | 30V             |
| RATED CURRENT         | 4A              | 4A              | 4A              | 4A              | 2A              |
| POLLUTION DEGREE      | 3               | 3               | 3               | 3               | 3               |
| OVERVOLTAGE CATEGORY  | II              | II              | II              | II              | II              |
| MATERIAL GROUP        | II              | II              | II              | II              | II              |
| CONTACT RESISTANCE    | ≤8mΩ            | ≤8mΩ            | ≤8mΩ            | ≤8mΩ            | ≤8mΩ            |
| INSULATION RESISTANCE | >100MΩ          | >100MΩ          | >100MΩ          | >100MΩ          | >100MΩ          |
| DEGREE OF PROTECTION  | IP67            | IP67            | IP67            | IP67            | IP67            |
| OPERATION TEMPERATURE | -40~85°C        | -40~85°C        | -40~85°C        | -40~85°C        | -40~85°C        |

- NOTE:
- MATERIAL:
    - ITEM NO.1: NUT -BRASS
    - ITEM NO.2: HOUSING -PA
    - ITEM NO.3: CONTACT -BRONZE
    - ITEM NO.4: HOUSING BODY: -PBT+GF
  - CONTACT FINISH: GOLD OVER NICKEL OR SILVER OVER NICKEL
  - CABLE WIRES:
    - 18AWG/0.75mm<sup>2</sup> Max. FOR 2-5 PINS
    - 20AWG/0.50mm<sup>2</sup> Max. FOR 8 PINS
  - ALL DIMENSIONS ARE FOR NOMINAL REFERENCE ONLY UNLESS OTHERWISE STATED
  - PACKAGEING: 1 PIECE IN A BAG
  - PN INFORMATION

| PIN ARRANGEMENT A-CODE |                 |                 |
|------------------------|-----------------|-----------------|
| T411000X02X-000        | T411000X03X-000 | T411000X04X-000 |
|                        |                 |                 |
| T411000X05X-000        | T411000208X-000 |                 |
|                        |                 |                 |

|                 |                         |
|-----------------|-------------------------|
| T4110002081-000 | RPC-M12A-FS-8CON-PG9-MU |
| T4110002082-000 | RPC-M12A-FS-8CON-PG9-M  |
| T4110001081-000 | RPC-M12A-FS-8CON-PG7-MU |
| T4110001082-000 | RPC-M12A-FS-8CON-PG7-M  |
| T4110002051-000 | RPC-M12A-FS-5CON-PG9-MU |
| T4110001051-000 | RPC-M12A-FS-5CON-PG7-MU |
| T4110002052-000 | RPC-M12A-FS-5CON-PG9-M  |
| T4110001052-000 | RPC-M12A-FS-5CON-PG7-M  |
| T4110002041-000 | RPC-M12A-FS-4CON-PG9-MU |
| T4110001041-000 | RPC-M12A-FS-4CON-PG7-MU |
| T4110002042-000 | RPC-M12A-FS-4CON-PG9-M  |
| T4110001042-000 | RPC-M12A-FS-4CON-PG7-M  |
| T4110002031-000 | RPC-M12A-FS-3CON-PG9-MU |
| T4110001031-000 | RPC-M12A-FS-3CON-PG7-MU |
| T4110002032-000 | RPC-M12A-FS-3CON-PG9-M  |
| T4110001032-000 | RPC-M12A-FS-3CON-PG7-M  |
| T4110002021-000 | RPC-M12A-FS-2CON-PG9-MU |
| T4110001021-000 | RPC-M12A-FS-2CON-PG7-MU |
| T4110002022-000 | RPC-M12A-FS-2CON-PG9-M  |
| T4110001022-000 | RPC-M12A-FS-2CON-PG7-M  |
| TE PN           | TYPE                    |

T411000XXXX-000

- CONTACT FINISH:
  - 1: GOLD OVER NICKEL
  - 2: SILVER OVER NICKEL
- NUMBERS OF PINS:
  - 02: 2 PINS
  - 03: 3 PINS
  - 04: 4 PINS
  - 05: 5 PINS
  - 08: 8 PINS
- CABLE OUTLET:
  - 1: PG7(CABLE FEED: 4-6mm)
  - 2: PG9(CABLE FEED: 6-8mm)
- BRAND:
  - T: W/ TE LOGO
  - N: W/O LOGO

|  |  |  |   |  |
|--|--|--|---|--|
| THIS DRAWING IS A CONTROLLED DOCUMENT. |  | DWN HAO WANG 08JAN2015                 | TE Connectivity   |  |
|  |  | CHK KOBBY ZHAO 08JAN2015               |   |  |
|  |  | APVD XIANG XU 08JAN2015                | NAME M12 FEMALE, A CODE, STRAIGHT UNSHIELDED CONNECTOR SCREW TERMINAL |  |
| DIMENSIONS: mm                         |  | TOLERANCES UNLESS OTHERWISE SPECIFIED: | PRODUCT SPEC 108-106140   |  |
|  |  | 0 PLC ±0.2                             | APPLICATION SPEC 114-137144   |  |
| MATERIAL                               |  | 1 PLC ±0.2                             | WEIGHT  |  |
|  |  | 2 PLC ±0.2                             | SCALE 1:1   |  |
|  |  | 3 PLC ±                                | SHEET 1 OF 1  |  |
|  |  | 4 PLC ±                                | REV A1  |  |
|  |  | ANGLES ±                               | CUSTOMER DRAWING  |  |
|  |  | FINISH                                 |   |  |