

CM Series

Most Diverse and Flexible Line of Coded Magnetic Safety Interlock Switches and Controllers

- Combine door switch monitoring and E-stop monitoring by using the CM-S41 controller
- Monitor is single switch to CAT4 with the CM-S30 controller
- Monitor multiple switches to CAT3 using CM-S4 or CM-S30 controllers
- Monitoring multiple switches on individual channels can be achieved by using the CM-S21 or CM-S41 controllers. Easily expand your system by using the CM-SE expansion module.
- All CM switches are rated IP67
- Stainless steel switches are available for harsh environments
- A Rapid Delivery Product: Select models are available for shipment today or within 3 to 5 days



Conforms to EN292, EN60204-1, EN954-1, EN1088, EN60947-5-3, EN947-5-3, EN50081, EN50082, EN61000-6-2, ISO 13849-1
UL and C-UL listed, TUV certified

G

Description

The CM series of controllers and coded magnetic switches offers the most flexibility and widest range of options available. The CM series is comprised of two basic technologies.

Controller Technologies

2-Wire Single Channel Controllers

The CM-S41 and CM-S21 controllers monitor the 2-wire magnetically coded switches. The CM-S41 and CM-S21 controllers use a patented technology which allows them to monitor the 2-wire or single channel switches up to Category 3. The ability to monitor just a single channel enables the CM-S41 and CM-S21 to easily monitor multiple switches and provide individual status of each channel. Both of these controllers are compatible with the CM-SE expansion module.

Dual Channel Controllers

The CM-S4 and CM-S30 controllers are designed to monitor conventional read-style, magnetically-coded switches with 1 N/O + 1 N/C contacts. The CM-S4 controller can monitor up to four switches to category 3. The CM-S4 controller offers status indication for each individual switch. The CM-S30 controller can monitor one switch to category 4, or two switches to category 3. The CM-S30 control unit is capable of monitoring up to 30 conventional read style switches in series, but does not conform to category 3 when used with more than two switches.

Switch Categories

The CM series of switches are all magnetically coded. The CM series of switches fall into three main categories:

1. 2-wire Coded Magnetic
2. Conventional Read Style 1 N/C + 1 N/O contacts
3. Universal Read Style 2 N/C + 1 N/O contacts

The 2-wire Coded Magnetic Switches are only compatible with the CM-S21, CM-S41 and CM-SE control units and expansion module. The Conventional Read Style Switches are compatible with the CM-S4 and CM-S30 controllers. The Universal Read Style Switches are unique in design, all three contacts are rated for safety. This means that Universal Read Style switches can be used with the CM-S4 or CM-S30 Controllers, or conventional safety monitoring relays such as the G9SA, SR103 or G9SX-AD, -BC. This allows the Universal Read Style Switches to be run in series with E-stop switches or other mechanical door switches. Typically a category 2 rating would be applied to a system that incorporates multiple switches wired in series to a standard safety monitoring relay. A risk assessment should always be performed by properly trained and authorized personnel.

 Select models are available for Rapid Delivery.

Visit this product on www.sti.com for details.

Switch Specifications

| Electrical | CM-S1, CM-S2, CM-S3 | CM-S5, CM-S6 | CM-S221, CM-S521, CM-S621 | CM-S11 | CM-S31 | CM-S321, CM-S421 |
|-------------------------------|---|------------------------------|------------------------------|------------------------------|------------------------------|---|
| Safety Contacts: | 1 N/C + 1 N/O | 1 N/C + 1 N/O | 2 N/C + 1 N/O | Current Sensing Circuit | Current Sensing Circuit | 2 N/C + 1 N/O |
| N/C Operating Distance: | CM-S1 — On = 3 mm; Off = 8 mm CM-S2 and CM-S3 — On = 6 mm; Off = 13 mm | On = 7 mm; Off = 10 mm | On = 7 mm; Off = 10 mm | On = 5-7 mm; Off = 8-12 m | On = 5-7 mm; Off = 8-12 mm | On = 7 mm; Off = 10 mm |
| Minimum Gap: | 1 mm | 1 mm | 1 mm | 1 mm | 1 mm | 1 mm |
| Max Switched Current/Voltage: | 500 mA / 24 V | 300 mA / 24 V | 300 mA / 24 V | | | 300 mA / 24 V |
| Mechanical | | | | | | |
| Mounting: | 2 x M4 screws supplied | 2 x M4 screws supplied | 2 x M4 screws supplied | 2 x M4 screws supplied | 2 x M4 screws supplied | 3 x M4 screws supplied |
| Case Material: | Glass filled PPS | ABS | ABS | ABS | 316 stainless steel | 316 stainless steel |
| Max Wire Size: | Pre-wired cable to 5 m | Pre-wired cable to 10 m | Pre-wired cable to 10 m | Pre-wired cable to 10 m | Pre-wired cable to 10 m | Pre-wired cable to 5 m, 6-pin micro AC connector |
| Weight: | 230 g (8.1 oz.) | 207 g (8.1 oz.) | 230 g (8.1 oz.) | 207 g (7.3 oz.) | 265 g (9.3 oz.) | 545 g (19.2 oz.) |
| Color: | Red | Red | Red | Red | Stainless | Stainless |
| Mechanical Life: | 10 ⁶ | 10 ⁶ | 10 ⁶ | 10 ⁶ | 10 ⁶ | 10 ⁶ |
| Environmental | | | | | | |
| Protection: | IP67 (NEMA 6) | IP67 (NEMA 6) | IP67 (NEMA 6) | IP67 (NEMA 6) | IP67 (NEMA 6) | IP67 (NEMA 6) |
| Operating Temperature: | -10 to 55°C (14 to 131°F) | -10 to 55°C (14 to 131°F) | -10 to 55°C (14 to 131°F) | -10 to 55°C (14 to 131°F) | -10 to 55°C (14 to 131°F) | Connector Models: -10 to 55°C (14 to 131°F) Integrated Cables: -10 to 95°C (14 to 203°F) |
| Humidity: | 95% RH at 55°C (131°F) | | | | | |
| Compliance | | | | | | |
| Standards: | EN292, EN60204-1, EN954-1, EN1088, EN60947-5-3, EN947-5-3, EN50081, EN50082, EN61000-6-2 | | | | | |
| Approvals/Listings: | CE marked for all applicable directives, UL and C-UL. TUV certified: CM-S1, CM-S2, CM-S3, CM-S11 and CM-S31. | | | | | |

Specifications are subject to change without notice.

Note: The safety contacts of the STI switches are described as normally closed (N/C) i.e., with the guard closed, actuator in place, and the machine able to be started.

 Select models are available for Rapid Delivery.

Visit this product on www.sti.com for details.

Control Unit Specifications

| Electrical | CM-S4 | CM-S30 | CM-S41, CM-S21 & CM-SE |
|-------------------------------|---|--|--|
| Power Supply: | 24 VAC/DC ± 10% | 24 VAC/DC ± 10% | CM-S41 — 24 VAC/DC, 110/230 VAC CM-S21 & CM-SE — 24 VAC/DC |
| Power Consumption: | 2.4 VA typical, 0.25 A quick acting | 120 mA | CM-S41 — 6 VA; CM-S21 & CM-SE — 3 VA |
| Input Fuse: | 500 mA resetable | 750 mA resetable | 500 mA resetable |
| Safety Inputs: | 1 N/O + 1 N/C | 1 N/O + 1 N/C | CM-S41 — 4 CM-S11 or CM-S31 switches CM-S21 — 2 CM-S11 or CM-S31 switches CM-SE — 5 CM-S11 or CM-S31 switches |
| Max Cable Length: | — | — | 100 m (328 ft.) |
| Max Input Resistance: | Contact factory | Contact factory | Contact factory |
| Relay Outputs: | 1 N/O safety + 1 N/O aux. | 2 N/O safety + 1 N/C aux. | CM-S41 & CM-S21 — 2 N/O; CM-SE — N/A |
| Max Switched Current/Voltage: | 4 A / 24 VAC/DC | 3 A / 24 VAC/DC | 4 A / 230 VAC; 2 A / 24 VDC (resistive) |
| Min Switched Current/Voltage: | 4 mA / 12 V | 4 mA / 12 V | 10 V / 10 mA |
| Impulse Withstand Voltage: | 250 V | 250 V | 250 V |
| Max Drop-Out Time: | 18 ms | 18 ms | Deactivation by sensor 13 ms |
| Max Output Fuse: | 4 A quick acting | 4 A quick acting | AC = 5 A; DC = 2.5 A; quick acting |
| Reset Mode: | Automatic | Automatic/Manual, monitored | Monitored manual or automatic |
| External Device Monitoring: | N/C loop between Y1 and Y2 | Between Y1, Y2, Y3 | N/C loop between X1 and X2 |
| Mechanical | | | |
| Mounting: | 35 mm (1.38 in.) DIN rail | 35 mm (1.38 in.) DIN rail | 35 mm (1.38 in.) DIN rail |
| Case Material: | Polyamid PA6.6 | Polyamid PA6.6 | Polycarbonate |
| Max Wire Size: | 2 x 2.5 mm ² (12 AWG) | 1 x 2.5 mm ² (14 AWG) | 1 x 2.5 mm ² stranded, 1 x 4 mm ² solid |
| Weight: | 240 g (8.5 oz.) | 230 g (8.1 oz.) | CM-S41 — 575 g (20.3 oz.) CM-S21 — 183 g (6.5 oz.) CM-SE — 135 g (4.8 oz.) |
| Color: | Grey | Red/Grey | Red |
| Indication: | U: Green = On Outputs Open: Red = On Outputs Closed: Green = On D11, D12, D21, D22: Green = Gate closed D31, D32, D41, D42: Red = Gate open | Green = Power On Green = K1 On Green = K2 On | Power = Red Outputs Closed: Green = On Outputs Open: No Light = Off Gate Closed: Yellow = On Gate Open: No Light = Off |
| Mechanical Life: | 3 x 10 ⁷ | 1 x 10 ⁷ | 1 x 10 ⁶ |
| Environmental | | | |
| Protection: | Housing IP40, Terminals IP20 | Housing IP40, Terminals IP20 | Housing IP40, Terminals IP20 |
| Operating Temperature: | 0 to 50°C (32 to 122°F) | 0 to 55°C (32 to 131°F) | 10 to 55°C (50 to 131°F) |
| Humidity: | 95% | 93% | 85% |
| Compliance | | | |
| Standards: | EN292, EN60204-1, ISO 13849-1, EN1088, EN50081, EN50082, EN61000-6-2 | EN60947-5-3, EN947-5-3, | EN292, EN60204-1, EN954-1, EN1088, EN60947-5-3, EN947-5-3, EN50081, EN50082, EN61000-6-2 |
| Approvals/Listings: | CE marked for all applicable directives, UL and C-UL, TUV (TUV pending for CM-S30) | | |
| Safety Category: | Cat 3 per EN954-1 (internal operation) | Cat 4 per ISO 13894-1 (internal operation) | Cat 3 per EN954-1 (internal operation) |

Specifications are subject to change without notice.

Note: The safety contacts of the STI switches are described as normally closed (N/C) i.e., with the guard closed, actuator in place, and the machine able to be started.

 Select models are available for Rapid Delivery.

Visit this product on www.sti.com for details.

Applications

2-Wire Single Channel Controllers

CM-S41 Control Unit

The CM-S41 is a combined Safety Switch and E-Stop control unit. Along with the ability to monitor up to four, 2-wire CM Series safety switches, it can also monitor the normally closed contacts of emergency stop buttons or mechanical safety switches in dual channel control circuits.

The CM-S41 has 2 normally open safety contact outputs and 1 normally closed auxiliary output, an external reset/proving circuit and LED indication for "Power", "Run" and the status of each activated gate switch.

CM-S21 Control Unit

The CM-S21 control unit is a 24 VAC/DC system that can monitor up to 2 CM Series safety switches.

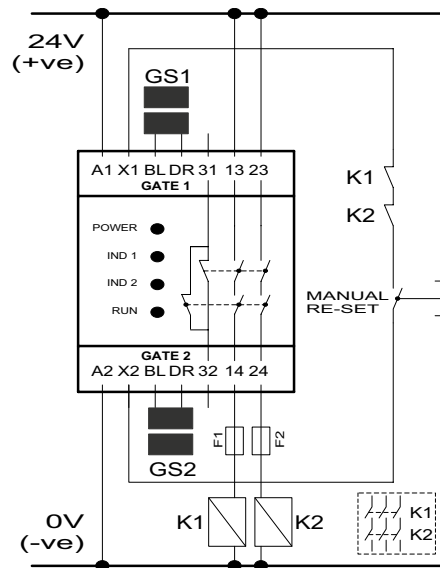
The CM-S21 has 2 normally open safety contact outputs and 1 normally closed auxiliary output, an external reset/proving circuit and LED indication for "Power", "Run" and the status of each activated gate switch.

CM-SE Extender Module

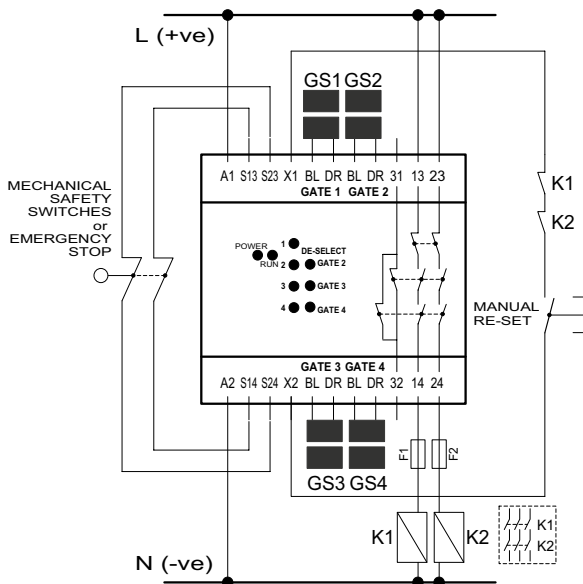
The CM-SE expansion module is a 24 VAC/DC unit that can be added to either the CM-S41 or CM-S21 to monitor an additional 5 CM Series safety switches. Connection to the main control unit is by a simple 2-wire bus connection. The status of each guard switch is shown by the YELLOW LED's. Additional CMSE-E modules can be added to monitor larger systems.



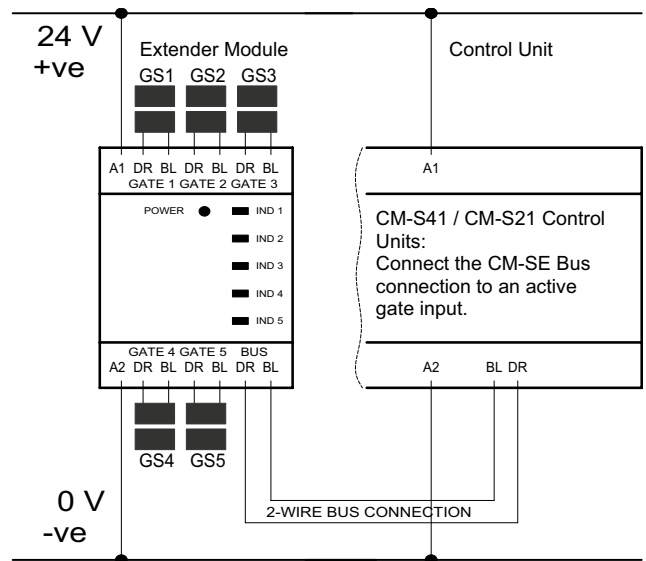
CM-S21 Application Diagram



CM-S41 Application Diagram



CM-SE Application Diagram



CM-S41 / CM-S21 Control Units:
Connect the CM-SE Bus connection to an active gate input.

G

Applications (continued)

Dual Channel Controllers

CM-S4 Control Unit

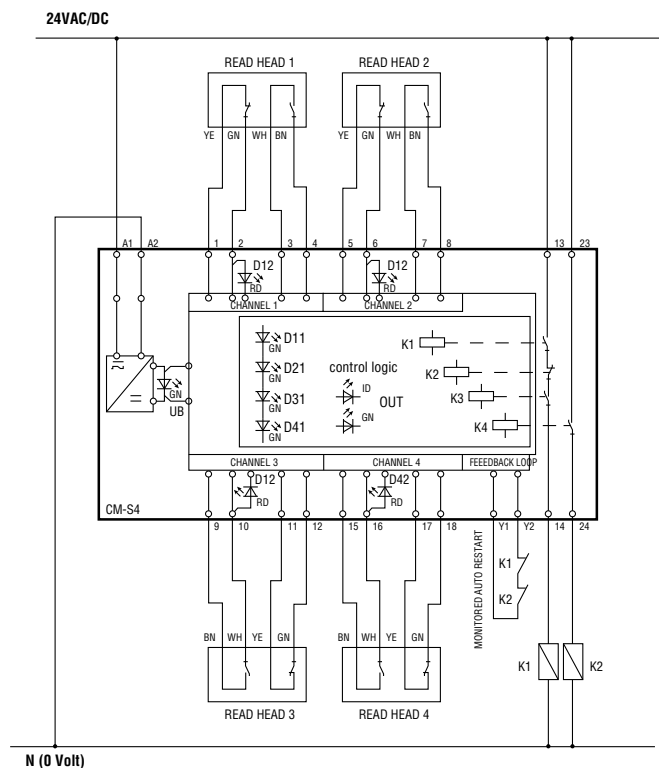
The CM-S4 controller is capable of monitoring up to four, magnetically coded switches with 1 N/O + 1 N/C contacts up to category 3 according to EN954-1. The CM-S4 has a dedicated dual channel input for each switch and has LED status indicators for each channel. The CM-S4 has 1 N/O safety contact and 1 N/O Aux contact. External Device Monitoring (EDM) is available using Y1,Y2 inputs.

CM-S30 Control Unit

The CM-S30 controller is capable of monitoring one magnetically coded switch with 1 N/O + 1 N/C contacts up to category 4, or two switches to category 3 according to ISO 13489-1. The CM-S30 control unit is capable of monitoring up to 30 conventional read style switches in series, but does not conform to category 4 when used with more than two switches. The CM-S30 controller has 2 N/O safety contacts and 1 N/C Auxiliary contact. External Device Monitoring (EDM) is available using Y1,Y2 inputs.

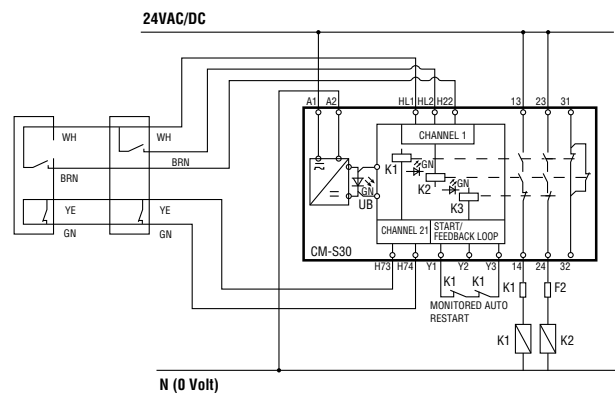


CM-S4 Application Diagram

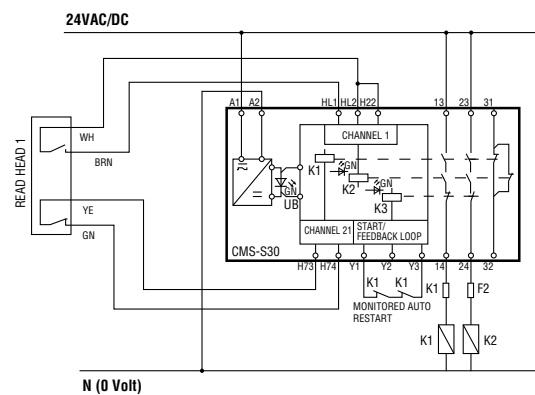


*23-24 should not be used as safety output.

CM-S30 Application Diagram (Cat 3)



CM-S30 Application Diagram (Cat 4)



Select models are available for Rapid Delivery.

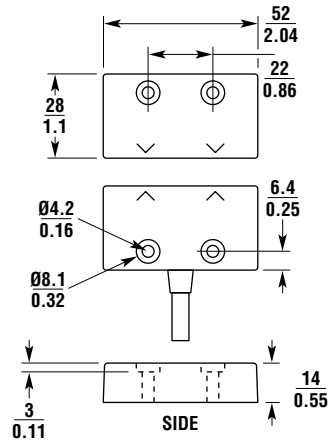
Visit this product on www.sti.com for details.

Dimensions

(mm/in.)

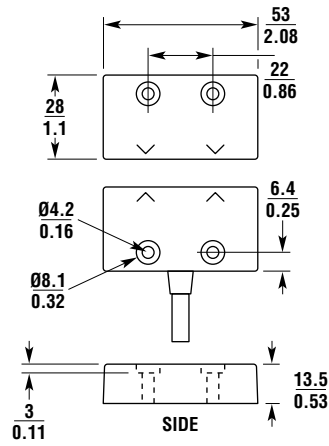
2-Wire Coded Magnetic Switches

CM-S11



G

CM-S31



 Select models are available for Rapid Delivery.

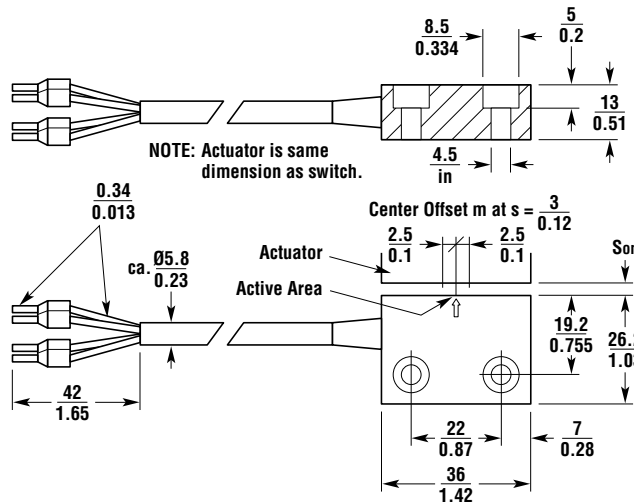
Visit this product on www.sti.com for details.

Dimensions (continued)

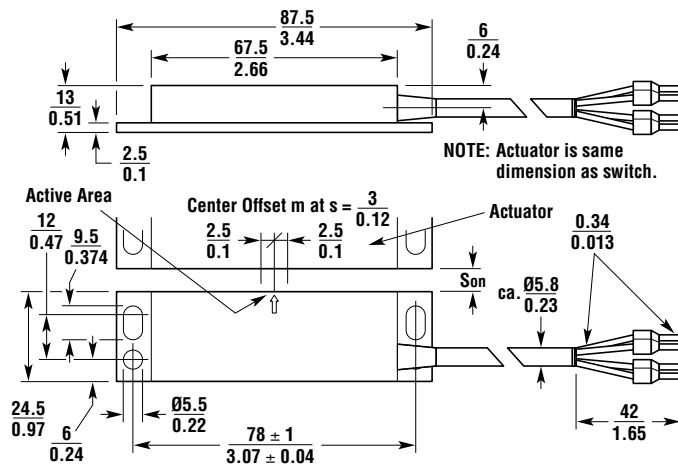
(mm/in.)

Conventional Read Style Switches

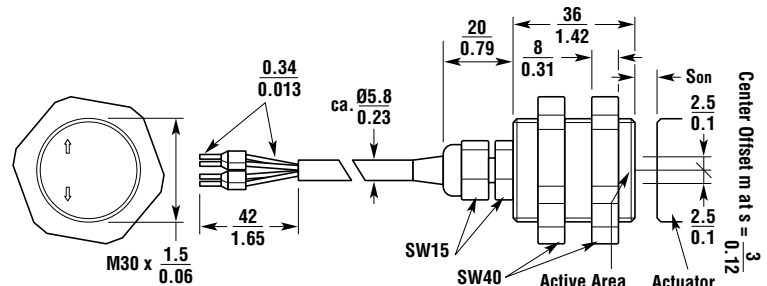
CM-S1



CM-S2



CM-S3



Select models are available for Rapid Delivery.

Visit this product on www.sti.com for details.

Dimensions (continued)

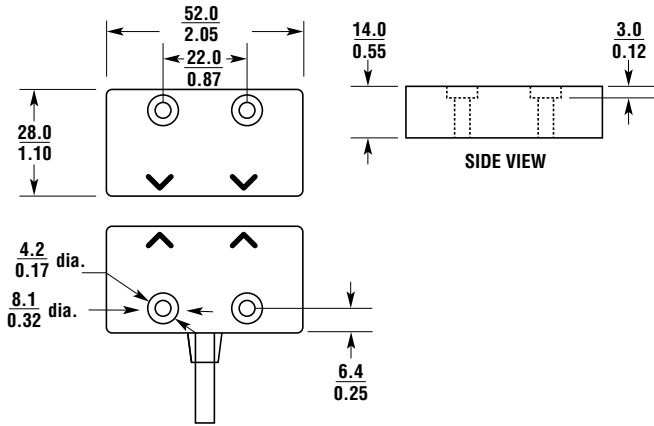
(mm/in.)

Conventional Read Style Switches (continued)

CM-S5



CM-S5 and CM-S521

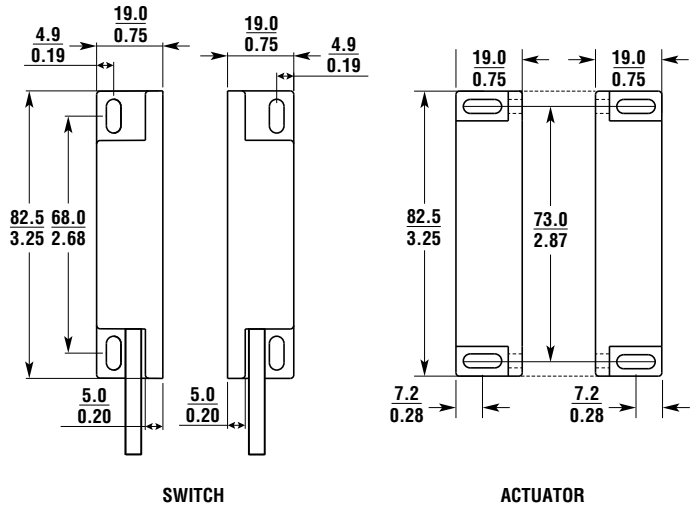


G

CM-S6



CM-S6 and CM-S621



 Select models are available for Rapid Delivery.

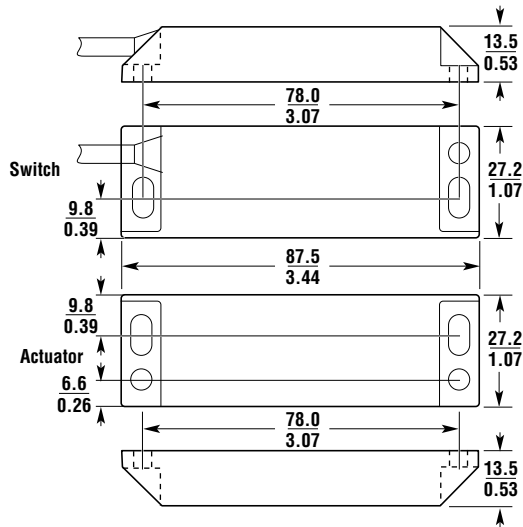
Visit this product on www.sti.com for details.

Dimensions (continued)

(mm/in.)

Universal Read Style Switches

CM-S221

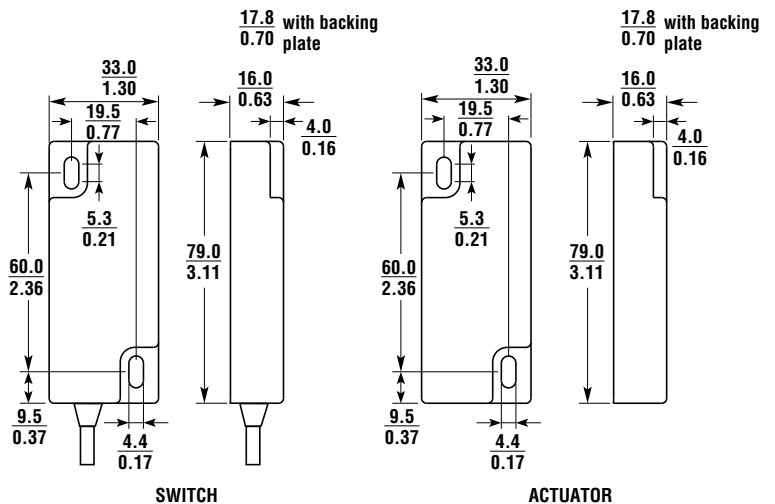


CM-S321/CM-S421



CM-S321 and CM-S421

Note: The CM-S321 includes a backing plate (not shown).





CM-S521



CM-S621



 For CM-S521 dimensions, please refer to the CM-S5 dimensions on the previous page.

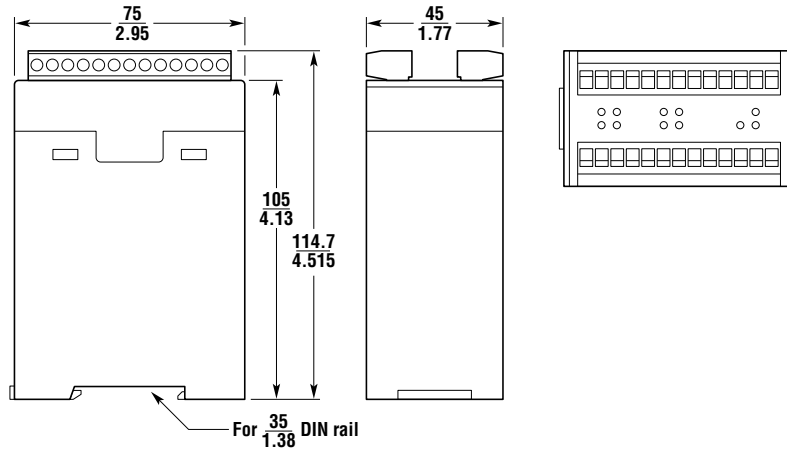
 For CM-S621 dimensions, please refer to the CM-S6 dimensions on the previous page.

Dimensions (continued)

(mm/in.)

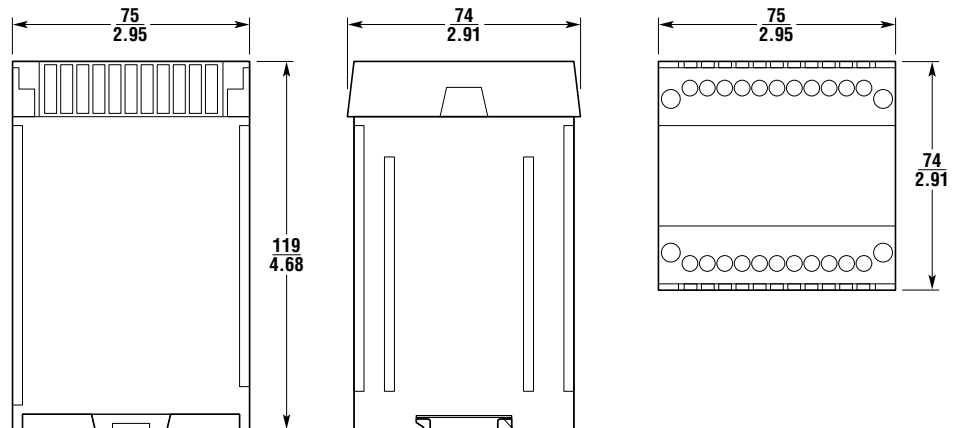
Control Units

CM-S4

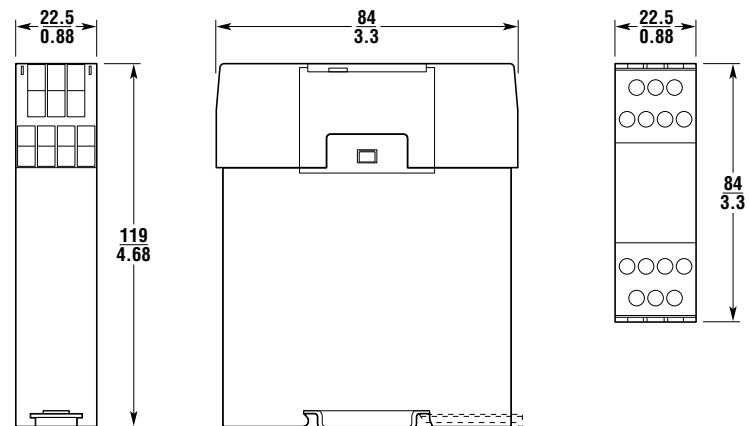


G

CM-S41



CM-S21 & CM-SE



 Select models are available for Rapid Delivery.

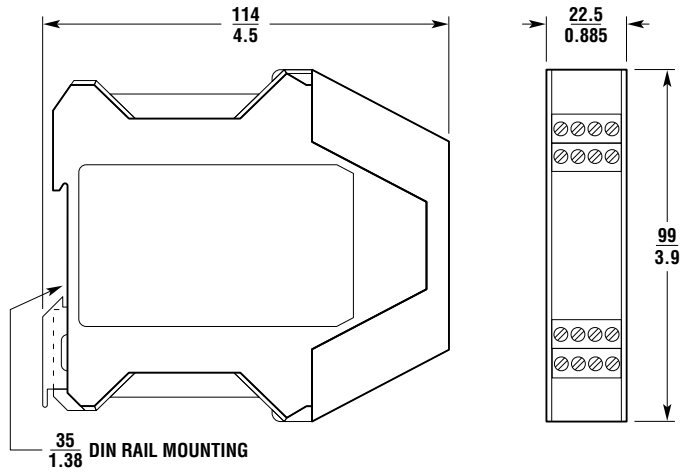
Visit this product on www.sti.com for details.

Dimensions (continued)

(mm/in.)

Control Units (continued)

CM-S30



G

 Select models are available for Rapid Delivery.

Visit this product on www.sti.com for details.

Ordering

| Model | Switch Construction | Contacts | Wiring Entry | Part No. |
|--|-----------------------------------|---------------|---------------------------|------------|
| Control Units for 2-Wire Switches | | | | |
| CM-S21-24 (24 VAC/DC) | | | | 44536-0120 |
| CM-S41-24 (24 VAC/DC) | | | | 44536-0140 |
| CM-S41-110 (110 VAC or 230 VAC) | | | | 44536-0141 |
| CM-SE-24 (24 VAC/DC) | | | | 44536-0170 |
| 2-Wire Switches | | | | |
| CM-S11-PC3 | Plastic | 2-wire system | 3 m cable | 44536-1100 |
| CM-S11-PC5 | Plastic | 2-wire system | 5 m cable | 44536-1105 |
| CM-S11-PC10 | Plastic | 2-wire system | 10 m cable | 44536-1110 |
| CM-S11-PCC5 | Plastic | 2-wire system | connector + 5 m cable | 44536-1159 |
| CM-S31SC3 | Stainless Steel | 2-wire system | 3 m cable | 44536-3100 |
| CM-S31SC5 | Stainless Steel | 2-wire system | 5 m cable | 44536-3105 |
| CM-S31SCC5 | Stainless Steel | 2-wire system | connector + 5 m cable | 44536-3159 |
| Control Units for 1 N/C + 1 N/O Reed Style Switches | | | | |
| CM-S30 (24 VAC/DC) | | | | 44536-0030 |
| CM-S4 (24 VAC/DC) | | | | 44536-0040 |
| 1 N/C + 1 N/O Reed Style Switches | | | | |
| CM-S1PC3 | Plastic | 1 N/C + 1 N/O | 3 m cable | 44536-0100 |
| CM-S1PC5 | Plastic | 1 N/C + 1 N/O | 5 m cable | 44536-0105 |
| CM-S2PC3 | Plastic | 1 N/C + 1 N/O | 3 m cable | 44536-0200 |
| CM-S2PC5 | Plastic | 1 N/C + 1 N/O | 5 m cable | 44536-0205 |
| CM-S3PC3 | Plastic | 1 N/C + 1 N/O | 3 m cable | 44536-0300 |
| CM-S3PC5 | Plastic | 1 N/C + 1 N/O | 5 m cable | 44536-0305 |
| CM-S5PC5 | Plastic | 1 N/C + 1 N/O | 5 m cable | 44536-0505 |
| CM-S5PC10 | Plastic | 1 N/C + 1 N/O | 10 m cable | 44536-0510 |
| CM-S6PC5 | Plastic | 1 N/C + 1 N/O | 5 m cable | 44536-0605 |
| CM-S6PC10 | Plastic | 1 N/C + 1 N/O | 10 m cable | 44536-0610 |
| Universal Reed Style Switches (can be used with safety monitoring relays that accept 1N/C + 1N/O or 2NC switch contacts except the SR203, SR208, SR209) <i>CAUTION! Universal reed switches may be operated with a coded or non-coded actuator when using 2 NC contacts with a safety monitoring relay.</i> | | | | |
| CM-S221PC5 | Plastic | 2 N/C + 1 N/O | 5 m cable | 44536-0221 |
| CM-S221PCC5 | Plastic | 2 N/C + 1 N/O | connector + 5 m cable | 44536-0225 |
| CM-S221PCC | Plastic | 2 N/C + 1 N/O | no cable | 44536-0226 |
| CM-S521PC5 | Plastic | 2 N/C + 1 N/O | 5 m cable | 44536-0521 |
| CM-S521PC10 | Plastic | 2 N/C + 1 N/O | 10 m cable | 44536-1521 |
| CM-S621PC5 | Plastic | 2 N/C + 1 N/O | 5 m cable | 44536-0621 |
| CM-S621PC10 | Plastic | 2 N/C + 1 N/O | 10 m cable | 44536-1621 |
| CM-S321SC5 | Stainless Steel | 2 N/C + 1 N/O | 5 m cable | 44536-3221 |
| CM-S321SCC5 | Stainless Steel, backing plate | 2 N/C + 1 N/O | M12 connector + 5 m cable | 44536-3229 |
| CM-S321SCC | Stainless Steel, backing plate | 2 N/C + 1 N/O | M12 connector, no cable | 44536-3220 |
| CM-S421SC5 | Stainless Steel, No backing plate | 2 N/C + 1 N/O | 5 m cable | 44536-4221 |
| CM-S421SCC5 | Stainless Steel, No backing plate | 2 N/C + 1 N/O | M12 connector + 5 m cable | 44536-4229 |
| Recommended Safety Monitoring Relays for Universal Reed Style Switches | | | | |
| CM-S4, CM-S30, G9SA series, G9SX-AD, G9SX-BC, SR series | | | | |
| Spare Actuators/Accessories | | | | |
| Replacement Actuator for CM-S1, Red ABS Plastic | | | | 44536-0710 |
| Replacement Actuator for CM-S2, Red ABS Plastic | | | | 44536-0720 |
| Replacement Actuator for CM-S3, Red ABS Plastic | | | | 44536-0730 |
| Replacement Actuator for CM-S5, CM-S521 Red ABS Plastic | | | | 44536-0750 |
| Replacement Actuator for CM-S6, CM-S621 Red ABS Plastic | | | | 44536-0760 |
| Replacement Actuator for CM-S11, Red ABS Plastic | | | | 44536-0711 |
| Replacement Actuator for CM-S31, Red ABS Plastic | | | | 44536-0731 |
| Replacement Actuator for CM-S221, Red ABS Plastic | | | | 44536-0721 |
| Replacement Actuator for CM-S321, Stainless Steel, backing plate | | | | 44536-0741 |
| Replacement Actuator for CM-S421, Stainless Steel, No backing Plate | | | | 44536-0751 |
| Mounting Bracket for CM-S3 | | | | 44536-0800 |

G

 Select models are available for Rapid Delivery.

Visit this product on www.sti.com for details.



Universal Mounting Brackets can be used with this product. See page G-210 for details.

Terms and Conditions of Sale

1. **Offer; Acceptance.** These terms and conditions (these "**Terms**") are deemed part of all quotes, agreements, purchase orders, acknowledgments, price lists, catalogs, manuals, brochures and other documents, whether electronic or in writing, relating to the sale of products or services (collectively, the "**Products**") by Omron Electronics LLC and its subsidiary companies ("**Omron**"). Omron objects to any terms or conditions proposed in Buyer's purchase order or other documents which are inconsistent with, or in addition to, these Terms.
2. **Prices; Payment Terms.** All prices stated are current, subject to change without notice by Omron. Omron reserves the right to increase or decrease prices on any unshipped portions of outstanding orders. Payments for Products are due net 30 days unless otherwise stated in the invoice.
3. **Discounts.** Cash discounts, if any, will apply only on the net amount of invoices sent to Buyer after deducting transportation charges, taxes and duties, and will be allowed only if (i) the invoice is paid according to Omron's payment terms and (ii) Buyer has no past due amounts.
4. **Interest.** Omron, at its option, may charge Buyer 1-1/2% interest per month or the maximum legal rate, whichever is less, on any balance not paid within the stated terms.
5. **Orders.** Omron will accept no order less than \$200 net billing.
6. **Governmental Approvals.** Buyer shall be responsible for, and shall bear all costs involved in, obtaining any government approvals required for the importation or sale of the Products.
7. **Taxes.** All taxes, duties and other governmental charges (other than general real property and income taxes), including any interest or penalties thereon, imposed directly or indirectly on Omron or required to be collected directly or indirectly by Omron for the manufacture, production, sale, delivery, importation, consumption or use of the Products sold hereunder (including customs duties and sales, excise, use, turnover and license taxes) shall be charged to and remitted by Buyer to Omron.
8. **Financial.** If the financial position of Buyer at any time becomes unsatisfactory to Omron, Omron reserves the right to stop shipments or require satisfactory security or payment in advance. If Buyer fails to make payment or otherwise comply with these Terms or any related agreement, Omron may (without liability and in addition to other remedies) cancel any unshipped portion of Products sold hereunder and stop any Products in transit until Buyer pays all amounts, including amounts payable hereunder, whether or not then due, which are owing to it by Buyer. Buyer shall in any event remain liable for all unpaid accounts.
9. **Cancellation; Etc.** Orders are not subject to rescheduling or cancellation unless Buyer indemnifies Omron against all related costs or expenses.
10. **Force Majeure.** Omron shall not be liable for any delay or failure in delivery resulting from causes beyond its control, including earthquakes, fires, floods, strikes or other labor disputes, shortage of labor or materials, accidents to machinery, acts of sabotage, riots, delay in or lack of transportation or the requirements of any government authority.
11. **Shipping; Delivery.** Unless otherwise expressly agreed in writing by Omron:
 - a. Shipments shall be by a carrier selected by Omron; Omron will not drop ship except in "break down" situations.
 - b. Such carrier shall act as the agent of Buyer and delivery to such carrier shall constitute delivery to Buyer;
 - c. All sales and shipments of Products shall be FOB shipping point (unless otherwise stated in writing by Omron), at which point title and risk of loss shall pass from Omron to Buyer; provided that Omron shall retain a security interest in the Products until the full purchase price is paid;
 - d. Delivery and shipping dates are estimates only; and
 - e. Omron will package Products as it deems proper for protection against normal handling and extra charges apply to special conditions.
12. **Claims.** Any claim by Buyer against Omron for shortage or damage to the Products occurring before delivery to the carrier must be presented in writing to Omron within 30 days of receipt of shipment and include the original transportation bill signed by the carrier noting that the carrier received the Products from Omron in the condition claimed.
13. **Warranties.** (a) **Exclusive Warranty.** Omron's exclusive warranty is that the Products will be free from defects in materials and workmanship for a period of twelve months from the date of sale by Omron (or such other period expressed in writing by Omron). Omron disclaims all other warranties, express or implied. (b) **Limitations.** OMRON MAKES NO WARRANTY OR REPRESENTATION, EXPRESS OR IMPLIED, ABOUT NON-INFRINGEMENT, MERCHANTABILITY OR FITNESS FOR A PARTICULAR PURPOSE OF THE PRODUCTS. BUYER ACKNOWLEDGES THAT IT ALONE HAS DETERMINED THAT THE PRODUCTS WILL SUITABLY MEET THE REQUIREMENTS OF THEIR INTENDED USE. Omron further disclaims all warranties and responsibility of any type for claims or expenses based on infringement by the Products or otherwise of any intellectual property right. (c) **Buyer Remedy.** Omron's sole obligation hereunder shall be, at Omron's election, to (i) replace (in the form originally shipped with Buyer responsible for labor charges for removal or replacement thereof) the non-complying Product, (ii) repair the non-complying Product, or (iii) repay or credit Buyer an amount equal to the purchase price of the non-complying Product; provided that in no event shall Omron be responsible for warranty, repair, indemnity or any other claims or expenses regarding the Products unless Omron's analysis confirms that the Products were properly handled, stored, installed and maintained and not subject to contamination, abuse, misuse or inappropriate modification. Return of any Products by Buyer must be approved in writing by Omron before shipment. Omron Companies shall not be liable for the suitability or unsuitability or the results from the use of Products in combination with any electrical or electronic components, circuits, system assemblies or any other materials or substances or environments. Any advice, recommendations or information given orally or in writing, are not to be construed as an amendment or addition to the above warranty. See <http://www.omron247.com> or contact your Omron representative for published information.
14. **Limitation on Liability; Etc.** OMRON COMPANIES SHALL NOT BE LIABLE FOR SPECIAL, INDIRECT, INCIDENTAL, OR CONSEQUENTIAL DAMAGES, LOSS OF PROFITS OR PRODUCTION OR COMMERCIAL LOSS IN ANY WAY CONNECTED WITH THE PRODUCTS, WHETHER SUCH CLAIM IS BASED IN CONTRACT, WARRANTY, NEGLIGENCE OR STRICT LIABILITY. Further, in no event shall liability of Omron Companies exceed the individual price of the Product on which liability is asserted.
15. **Indemnities.** Buyer shall indemnify and hold harmless Omron Companies and their employees from and against all liabilities, losses, claims, costs and expenses (including attorney's fees and expenses) related to any claim, investigation, litigation or proceeding (whether or not Omron is a party) which arises or is alleged to arise from Buyer's acts or omissions under these Terms or in any way with respect to the Products. Without limiting the foregoing, Buyer (at its own expense) shall indemnify and hold harmless Omron and defend or settle any action brought against such Companies to the extent based on a claim that any Product made to Buyer specifications infringed intellectual property rights of another party.
16. **Property; Confidentiality.** Any intellectual property in the Products is the exclusive property of Omron Companies and Buyer shall not attempt to duplicate it in any way without the written permission of Omron. Notwithstanding any charges to Buyer for engineering or tooling, all engineering and tooling shall remain the exclusive property of Omron. All information and materials supplied by Omron to Buyer relating to the Products are confidential and proprietary, and Buyer shall limit distribution thereof to its trusted employees and strictly prevent disclosure to any third party.
17. **Export Controls.** Buyer shall comply with all applicable laws, regulations and licenses regarding (i) export of products or information; (ii) sale of products to "forbidden" or other proscribed persons; and (iii) disclosure to non-citizens of regulated technology or information.
18. **Miscellaneous.** (a) **Waiver.** No failure or delay by Omron in exercising any right and no course of dealing between Buyer and Omron shall operate as a waiver of rights by Omron. (b) **Assignment.** Buyer may not assign its rights hereunder without Omron's written consent. (c) **Law.** These Terms are governed by the law of the jurisdiction of the home office of the Omron company from which Buyer is purchasing the Products (without regard to conflict of law principles). (d) **Amendment.** These Terms constitute the entire agreement between Buyer and Omron relating to the Products, and no provision may be changed or waived unless in writing signed by the parties. (e) **Severability.** If any provision hereof is rendered ineffective or invalid, such provision shall not invalidate any other provision. (f) **Setoff.** Buyer shall have no right to set off any amounts against the amount owing in respect of this invoice. (g) **Definitions.** As used herein, "including" means "including without limitation"; and "Omron Companies" (or similar words) mean Omron Corporation and any direct or indirect subsidiary or affiliate thereof.

Certain Precautions on Specifications and Use

1. **Suitability of Use.** Omron Companies shall not be responsible for conformity with any standards, codes or regulations which apply to the combination of the Product in the Buyer's application or use of the Product. At Buyer's request, Omron will provide applicable third party certification documents identifying ratings and limitations of use which apply to the Product. This information by itself is not sufficient for a complete determination of the suitability of the Product in combination with the end product, machine, system, or other application or use. Buyer shall be solely responsible for determining appropriateness of the particular Product with respect to Buyer's application, product or system. Buyer shall take application responsibility in all cases but the following is a non-exhaustive list of applications for which particular attention must be given: (i) Outdoor use, uses involving potential chemical contamination or electrical interference, or conditions or uses not described in this document. (ii) Use in consumer products or any use in significant quantities. (iii) Energy control systems, combustion systems, railroad systems, aviation systems, medical equipment, amusement machines, vehicles, safety equipment, and installations subject to separate industry or government regulations. (iv) Systems, machines and equipment that could present a risk to life or property. Please know and observe all prohibitions of use applicable to this Product. NEVER USE THE PRODUCT FOR AN APPLICATION INVOLVING SERIOUS RISK TO LIFE OR PROPERTY OR IN LARGE QUANTITIES WITHOUT ENSURING THAT THE SYSTEM AS A WHOLE HAS BEEN DESIGNED TO ADDRESS THE RISKS, AND THAT THE OMRON'S PRODUCT IS PROPERLY RATED AND INSTALLED FOR THE INTENDED USE WITHIN THE OVERALL EQUIPMENT OR SYSTEM.
2. **Programmable Products.** Omron Companies shall not be responsible for the user's programming of a programmable Product, or any consequence thereof.
3. **Performance Data.** Data presented in Omron Company websites, catalogs and other materials is provided as a guide for the user in determining suitability and does not constitute a warranty. It may represent the result of Omron's test conditions, and the user must correlate it to actual application requirements. Actual performance is subject to the Omron's Warranty and Limitations of Liability.
4. **Change in Specifications.** Product specifications and accessories may be changed at any time based on improvements and other reasons. It is our practice to change part numbers when published ratings or features are changed, or when significant construction changes are made. However, some specifications of the Product may be changed without any notice. When in doubt, special part numbers may be assigned to fix or establish key specifications for your application. Please consult with your Omron's representative at any time to confirm actual specifications of purchased Product.
5. **Errors and Omissions.** Information presented by Omron Companies has been checked and is believed to be accurate; however, no responsibility is assumed for clerical, typographical or proofreading errors or omissions.

OMRON AUTOMATION AND SAFETY • THE AMERICAS HEADQUARTERS • Chicago, IL USA • 847.843.7900 • 800.556.6766 • www.omron247.com

OMRON CANADA, INC. • HEAD OFFICE

Toronto, ON, Canada • 416.286.6465 • 866.986.6766 • www.omron247.com

OMRON ELECTRONICS DE MEXICO • HEAD OFFICE

México DF • 52.55.59.01.43.00 • 01-800-226-6766 • mela@omron.com

OMRON ELECTRONICS DE MEXICO • SALES OFFICE

Apodaca, N.L. • 52.81.11.56.99.20 • 01-800-226-6766 • mela@omron.com

OMRON ELETRÔNICA DO BRASIL LTDA • HEAD OFFICE

São Paulo, SP, Brasil • 55.11.2101.6300 • www.omron.com.br

OMRON ARGENTINA • SALES OFFICE

Cono Sur • 54.11.4783.5300

OMRON CHILE • SALES OFFICE

Santiago • 56.9.9917.3920

OTHER OMRON LATIN AMERICA SALES

54.11.4783.5300

OMRON EUROPE B.V. • Wegalaan 67-69, NL-2132 JD, Hoofddorp, The Netherlands. • +31 (0) 23 568 13 00 • www.industrial.omron.eu

Authorized Distributor:

Automation Control Systems

- Machine Automation Controllers (MAC) • Programmable Controllers (PLC)
- Operator interfaces (HMI) • Distributed I/O • Software

Drives & Motion Controls

- Servo & AC Drives • Motion Controllers & Encoders

Temperature & Process Controllers

- Single and Multi-loop Controllers

Sensors & Vision

- Proximity Sensors • Photoelectric Sensors • Fiber-Optic Sensors
- Amplified Photomicrosensors • Measurement Sensors
- Ultrasonic Sensors • Vision Sensors

Industrial Components

- RFID/Code Readers • Relays • Pushbuttons & Indicators
- Limit and Basic Switches • Timers • Counters • Metering Devices
- Power Supplies

Safety

- Laser Scanners • Safety Mats • Edges and Bumpers • Programmable Safety Controllers • Light Curtains • Safety Relays • Safety Interlock Switches