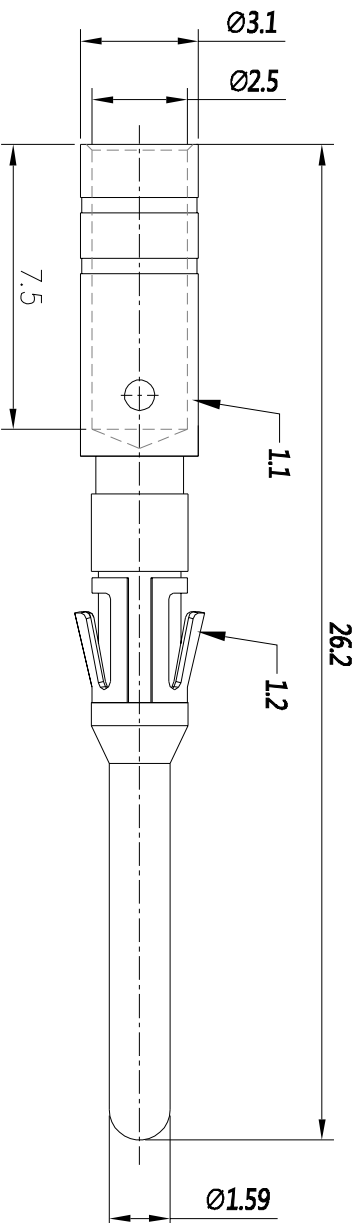


| REVISIONS |     |                  |             |           |
|-----------|-----|------------------|-------------|-----------|
| REV       | ECO | DESCRIPTION      | DATE        | BY APPR   |
| B1        | -   | RELEASED DRAWING | JULY-1-2014 | BEN TOMMY |



| P/N        | CONTACT PLATING(MATING AREA)    |
|------------|---------------------------------|
| MP14M23T   | TIN PLATING OVER NICKEL.        |
| MP14M23S   | SILVER PLATING OVER NICKEL.     |
| MP14M23F   | GOLD FLASH PLATING OVER NICKEL. |
| MP14M23G10 | 10µ" GOLD PLATING OVER NICKEL.  |
| MP14M23G15 | 15µ" GOLD PLATING OVER NICKEL.  |
| MP14M23G30 | 30µ" GOLD PLATING OVER NICKEL.  |

- NOTES : ( UNLESS OTHERWISE SPECIFIED )
- MATERIAL :
    - CONTACT BODY : COPPER ALLOY.
    - POSITIONING CLIP : COPPER ALLOY.
  - SPECIFICATIONS :
    - CURRENT RATING : 13A(MAX).
    - TERMINATION TYPE : CRIMPING.
    - WIRE RANGE : 16~14AWG.
  - SUITABLE SOCKET TYPE : MS14M23xx.
  - ROHS COMPLIANT.
  - ALL DIMENSIONS ARE FOR REFERENCE USE ONLY.

| QUANTITY   | PART NUMBER | DESCRIPTION   | ITER         |
|--|-------------|---|--------------|
| <b>MATERIALS LIST</b>                            |             |   |              |
| UNLESS OTHERWISE SPECIFIED                       |             | SIGNATURES  | DATE         |
| 1) All dimensions are in millimeters.            |             | DRAWN: BBI  | JULY-2014    |
| 2) Tolerances are as follows:                    |             | CHECKED:  |              |
| 1 Pk. DEC 2d 20                                  |             | ENGINEER:   |              |
| 3 Pk. DEC 2d 20                                  |             | APPROVAL:   |              |
| 3) Note reference =                              |             | CUSTOMER:   |              |
| MATERIAL SPECIFICATIONS:                         |             | THIS DRAWING IS SUPPLIED FOR SPECIFICATIONS AND PERFORMANCE DATA. THE DRAWING IS NOT TO BE USED FOR REPRODUCTION AND ALL RIGHTS OF REPRODUCTION ARE RESERVED. ALL MANUFACTURING VARIATIONS. |              |
| PROCESS SPECIFICATIONS:                          |             | NEXT ASST:  |              |
| ECO-MATE PIN CONTACT, MACHINE, 16-14AWG, SIZE 16 |             | <b>Amphenol</b><br>Sine Systems - www.amphenol-sine.com<br>44724 Monkey Drive<br>Clinton Township, MI 48038   |              |
| SCALE: NONE                                      | SIZE: B     | DWG NO: MP14M23xx   | REVISION: B1 |
|  | TYPE: C-    |   |              |
|  |             | SHEET 1   | OF 1         |