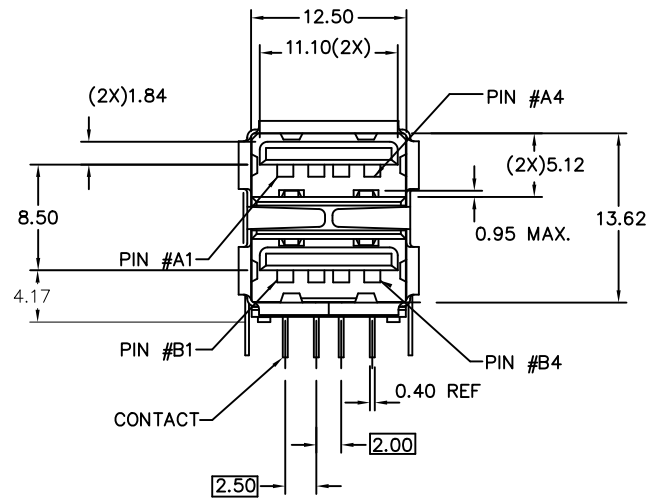
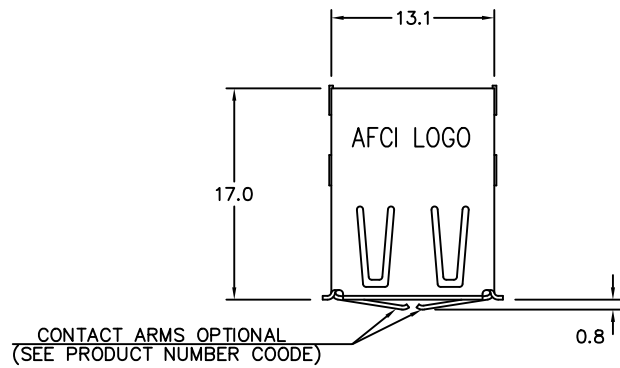


NOTES:

- 1.MATERIAL:  
CONTACTS—COPPER ALLOY  
SHELL—COPPER ALLOY  
HOUSING—UL 94—V—0 RATED THERMOPLASTIC.
- 2.PLATING:  
CONTACTS: SEE PRODUCT NUMBER CODE;  
SHELL: SEE PRODUCT NUMBER CODE.
- ③DATUM AND BASIC DIMENSIONS ESTABLISHED BY CUSTOMER.
- 4.RECOMMENDED PC BOARD THICKNESS OF 1.57mm.
- 5.P/N SEE PRODUCT NUMBER CODE.  
( TO BE CONTINUED)

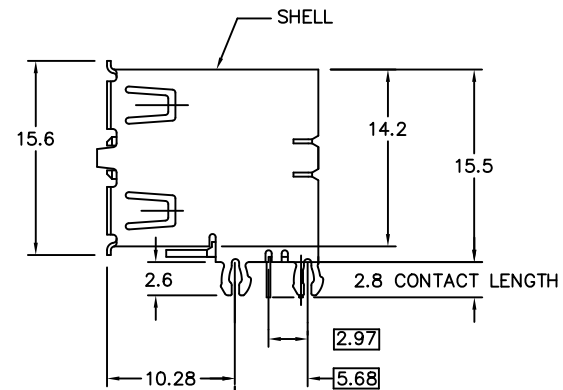
mat'l. code				surface	tolerance	projection	product family		
				ISO 1302	ISO 406	ISO 1101	USB HPL511		
ltr	ecn no	dr	date	tolerances unless otherwise specified		title			
AK	ELX-N-26385	LZ	2017/03/17	angles	.0±.3	UNIV. SERIAL BUS			
AD	N05-0106	PH	04/13/05	linear	.00±.20	DOUBLE DECK RECEPTACLE			
AE	N06-0101	HB	04/13/06	0°±3°	.000±.10	scale 1:1			
AF	N06-0133	HB	05/17/06	dr	Laurence.Zang	2017/03/17	dwg no	sheet 1 of 4	
AG	N08-0198	RB	2008/09/10	eng	Laurence.Zang	2017/03/17	72309	A3	
AH	N08-0238	RB	2008/11/01	chr	LQ Lei	2017/03/17	type Product Customer Drawing		
AJ	ELX-N-004654	A.ZH	2011/07/28	app	Tim Yao	2017/03/17			
sheet	revision								
index	sheet	1~4							



ASSEMBLY WITHOUT BACK SHIELD  
72309-XX3XX SHOWN

(CONTINUED)

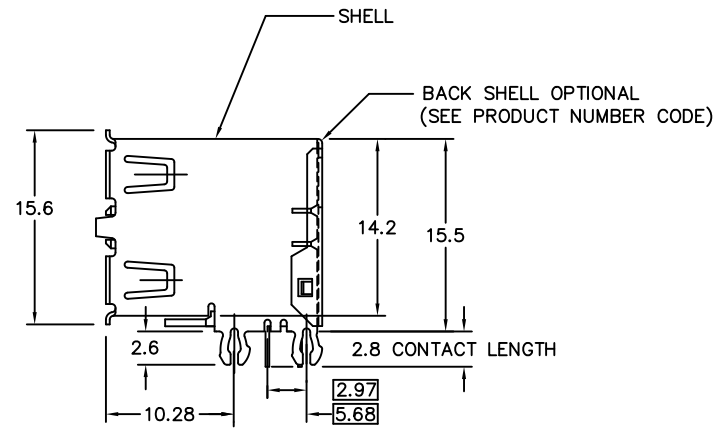
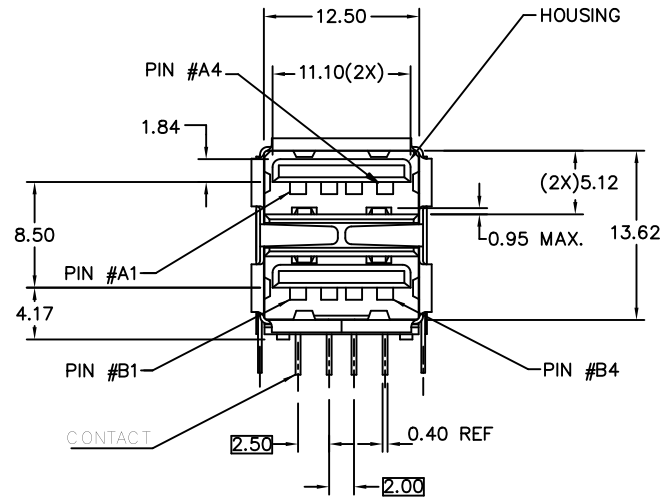
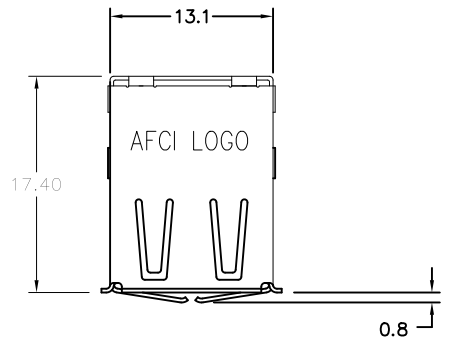
6. FOR LEAD FREE P/N, A LEAD FREE LABEL WILL APPEAR AT PACKING.
7. FOR LEAD FREE P/N, THE HOUSING WILL WITHSTAND EXPOSURE TO 260°C PEAK TEMPERATURE FOR 40 SECONDS IN A CONVECTION, INFRA-RED OR VAPOR PHASE REFLOW OVEN.
8. FOR LEAD FREE P/N, THE PRODUCT MEET EUROPEAN UNION DIRECTIVES AND OTHER COUNTRY REGULATION AS DESCRIBED IN GS-22-008
9. PACKAGING SPECIFICATION PER GS-14-393.
10. PRODUCT SPECIFICATION PER GS-12-095.



mat'l. code		surface <input checked="" type="checkbox"/> ISO 1302		tolerance <input checked="" type="checkbox"/> ISO 406		projection <input checked="" type="checkbox"/> ISO 1101		product family	
ltr		ecn no		dr		date		title	
AK								USB HPL511	
								UNIV. SERIAL BUS DOUBLE DECK RECEPTACLE	
								dwg no	
								72309	
								sheet 2 of 4	
								size	
								A3	
								type	
								Product Customer Drawing	
sheet index		revision sheet		AK		1~4			

Amphenol  
FCI

© 2016 AFCI



ASSEMBLY WITH BACK SHIELD  
72309 - XX4XX SHOWN

Amphenol FCI

© 2016 AFCI

mat'l. code		surface <input checked="" type="checkbox"/> ISO 1302		tolerance <input checked="" type="checkbox"/> ISO 406		projection <input checked="" type="checkbox"/> ISO 1101		product family	
ltr		ecn no		dr		date		title	
AK								UNIV. SERIAL BUS DOUBLE DECK RECEPTACLE	
				angles		linear		scale 1:1	
				0°±3'		.00±.10		Amphenol FCI	
				dr		Laurence.Zang 2017/03/17		dwg no	
				eng		Laurence.Zang 2017/03/17		sheet 3 of 4	
				chr		LQ Lei 2017/03/17		72309	
				app'd		Tim Yao 2017/03/17		A3	
sheet index		revision sheet		AK		1~4		type Product Customer Drawing	

PRODUCT NUMBER CODE

72309 - X X X X X P S LF

BASE PRODUCT NUMBER

HOUSING COLOR + SHELL PLATING OPTIONS

- 0 - WHITE + NICKEL & TIN LEAD PLATING
- 1 - BLACK + NICKEL & TIN LEAD PLATING
- 2 - WHITE + NICKEL PLATING ONLY
- 3 - BLACK + NICKEL PLATING ONLY
- 4 - WHITE + NICKEL PLATING ONLY + LCP HSG
- 5 - BLACK + NICKEL PLATING ONLY + LCP HSG
- 6 - BLACK + NICKEL & TIN LEAD PLATING + LCP HSG
- 7 - BLACK + NICKEL & BRIGHT TIN PLATING
- 8 - WHITE + NICKEL & BRIGHT TIN PLATING
- 9 - BLACK + NICKEL & BRIGHT TIN PLATING +LCP HSG
- A - BLACK + NICKEL & MATTE TIN PLATING +LCP HSG
- S - BLACK + NICKEL PLATING ONLY + LCP HSG

SHELL PLATING OPTION

- 0 - BARREL-PLATING
- 1 - PRE-PLATING

SHELL OPTIONS

- 1 - NO BACK SHIELD, NO ARMS, FRONT GROUNDING ARMS
- 2 - BACK SHIELD, NO FRONT GROUNDING ARMS
- 3 - NO BACK SHIELD, FRONT GROUNDING ARMS
- 4 - BACK SHIELD, FRONT GROUNDING ARMS

TERMINAL OPTION

- 3 - 50u" Ni UNDERPLATE,30u" GXT CONTACT AREA,100u" MATTE TIN TAIL AREA  
2.80mm TAIL LENGTH
- 4 - 50u" Ni UNDERPLATE,30u" GXT CONTACT AREA,100u" MATTE TIN TAIL AREA  
2.80mm TAIL LENGTH
- 5 - 50u" Ni UNDERPLATE,30u" GOLD CONTACT AREA,100u" MATTE TIN TAIL AREA  
3.94mm TAIL LENGTH

PACKAGING OPTIONS

- B - TUBES
- R - TAPE & REEL
- Q - SPECIAL TUBES (LENGTH 600MM MAX)

WITH DATE CODE

ONLY FOR PANASONIC

LEAD FREE MARK

LEAD FREE CONVERSION RULES -  
HOUSING COLOR AND SHELL PLATING OPTION: 0 TO 8, 1 TO 7, 6 TO 9  
TERMINAL PLATING OPTION: 0 TO 4, 2 TO 3  
SPECIFIC SHELL MATERIAL FOR 12K CYCLES DURABILITY,  
PART NUMBER: 72309-S033XPLF/-S034XPLF

NOTE:

AVAILABLE P/N'S IN FCI NOW FOLLOWED:

- 72309-0010X/8014XLF 72309-2010X/2014XLF
- 72309-0012X/8013XLF 72309-2012X/2013XLF
- 72309-0020X/8024XLF 72309-2020X/2024XLF
- 72309-0022X/8023XLF 72309-2022X/2023XLF
- 72309-0030X/8034XLF 72309-2030X/2034XLF
- 72309-0032X/8033XLF 72309-2032X/2033XLF
- 72309-0040X/8044XLF 72309-2040X/2044XLF
- 72309-0042X/8043XLF 72309-2042X/2043XLF
- 72309-1010X/7014XLF 72309-3010X/3014XLF
- 72309-1012X/7013XLF 72309-3012X/3013XLF
- 72309-1020X/7024XLF 72309-3020X/3024XLF
- 72309-1022X/7023XLF 72309-3022X/3023XLF
- 72309-1030X/7034XLF 72309-3030X/3034XLF
- 72309-1032X/7033XLF 72309-3032X/3033XLF
- 72309-1040X/7044XLF 72309-3040X/3044XLF
- 72309-1042X/7043XLF 72309-3042X/3043XLF
- 72309-0110X/8114XLF 72309-4040X/4044XLF
- 72309-0112X/8113XLF 72309-5012X/5013XLF
- 72309-0120X/8124XLF 72309-5030X/5034XLF
- 72309-0122X/8123XLF 72309-5040X/5044XLF/5044XSFL
- 72309-0130X/8134XLF 72309-5140X/5144XLF
- 72309-0132X/8133XLF 72309-6220X/9224XLF
- 72309-0140X/8144XLF 72309-A034XLF
- 72309-0142X/8143XLF 72309-3015XLF
- 72309-1110X/7114XLF 72309-3045XLF
- 72309-1112X/7113XLF 72309-S033XPLF
- 72309-1120X/7124XLF 72309-S034XPLF
- 72309-1122X/7123XLF
- 72309-1130X/7134XLF
- 72309-1132X/7133XLF
- 72309-1140X/7144XLF
- 72309-1142X/7143XLF

Amphenol FCI

© 2016 AFCI

mat'l. code		surface <input checked="" type="checkbox"/> ISO 1302 <input checked="" type="checkbox"/> ISO 406 <input type="checkbox"/> ISO 1101		projection	product family	
ISO 1302 <input checked="" type="checkbox"/> ISO 406 <input checked="" type="checkbox"/> ISO 1101		tolerance unless otherwise specified		USB HPL511		title
ltr	ecn no	dr	date	mm	UNIV. SERIAL BUS DOUBLE DECK RECEPTACLE	
AK				linear	scale 1:1	dwg no
				angles		sheet 4 of 4 size
				0±3°		72309
				dr Laurence.Zang 2017/03/17		A3
				eng Laurence.Zang 2017/03/17		type Product Customer Drawing
				chr LQ Lei 2017/03/17		
				app Tim Yao 2017/03/17		
sheet index	revision sheet	AK	1~4			