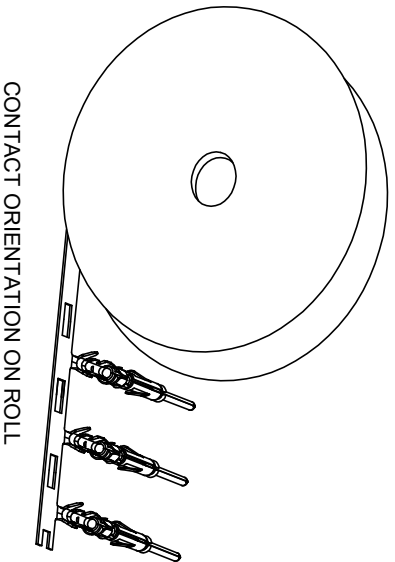


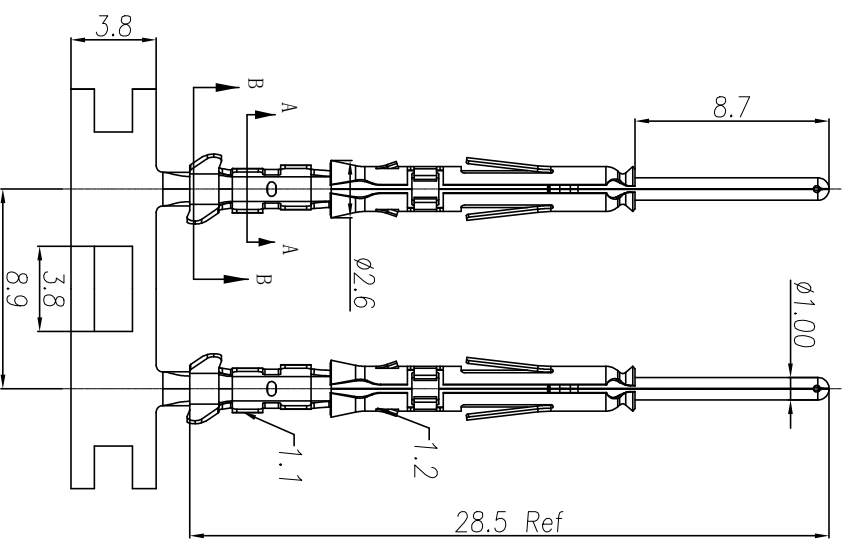
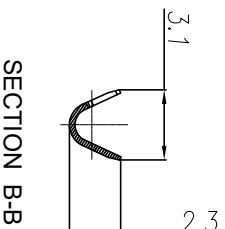
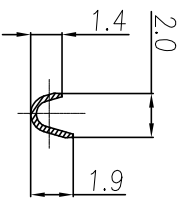
REVISIONS					
REV	ECO	DESCRIPTION	DATE	BY	APPR
B1	-	RELEASED DRAWING	JAN-18-2014	ARROW	TOMMY
B2	-	CHANGE HAND CRIMPER	Nov-8-19	Flan	Tommy



NOTES: (UNLESS OTHERWISE SPECIFIED)

- MATERIAL:
  - CONTACT BODY: COPPER ALLOY.
  - OUTER SPRING: STAINLESS STEEL.
- SPECIFICATIONS:
  - CURRENT RATING: 5A MAX.
  - TERMINATION TYPE: CRIMPING.
  - WIRE RANGE: 24~26AWG.
  - WIRE INSULATION DIA(MAX):  $\varnothing$ 2.2mm.
- ROHS COMPLIANT.
- ALL DIMENSIONS ARE FOR REFERENCE USE ONLY.
- AVAILABLE TOOLS:
  - HAND CRIMPER: MFX-3958 (B2)
  - CRIMP APPLICATOR: MFX-3957.
  - EXTRACTION TOOL: QXRT20.

P/N	CONTACT PLATING(MATING AREA)
SP24W1T	TIN PLATING OVER NICKEL.
SP24W1F	GOLD FLASH PLATING OVER NICKEL.
SP24W1G10	10 $\mu$ " GOLD PLATING OVER NICKEL.
SP24W1G15	15 $\mu$ " GOLD PLATING OVER NICKEL.
SP24W1G30	30 $\mu$ " GOLD PLATING OVER NICKEL.



QUANTITY	PART NUMBER	DESCRIPTION	ITEM

**MATERIALS LIST**

SIGNATURES	DATE
DRAWN: <b>Flan</b>	Nov-8-19
CHECKED: <b>Matt</b>	Nov-8-19
ENGINEER: <b>Tommy</b>	Nov-8-19
APPROVE: <b>Tommy</b>	Nov-8-19

UNLESS OTHERWISE SPECIFIED  
 1) All dimensions are in millimeters.  
 2) Tolerances are as follows:  
 1 Pt. DEC 24-30 Fractions 1/16  
 3 Pt. DEC 20-25  
 3) Note reference =  $\Delta$

PROCESS SPECIFICATIONS  
 MATERIAL SPECIFICATIONS  
 CUSTOMER: **Amphenol**  
 THE DRAWING IS SUPPLIED FOR INFORMATION ONLY. IT IS NOT TO BE USED FOR SPECIFICATIONS AND PERFORMANCE DATA. THE MANUFACTURER ASSUMES NO RESPONSIBILITY FOR REPRODUCTION AND ALL RIGHTS RESERVED. ALL DIMENSIONS ARE IN MILLIMETERS UNLESS OTHERWISE SPECIFIED.

ECO-MATE PIN CONTACT.  
 STAMPED, 24-26AWG, SIZE 20  
 SCALE: NONE  
 SHEET 1 OF 1

**Amphenol**

Sine Systems - www.amphenol-sine.com  
 44724 Montley Drive  
 Clinton Township, MI 48038