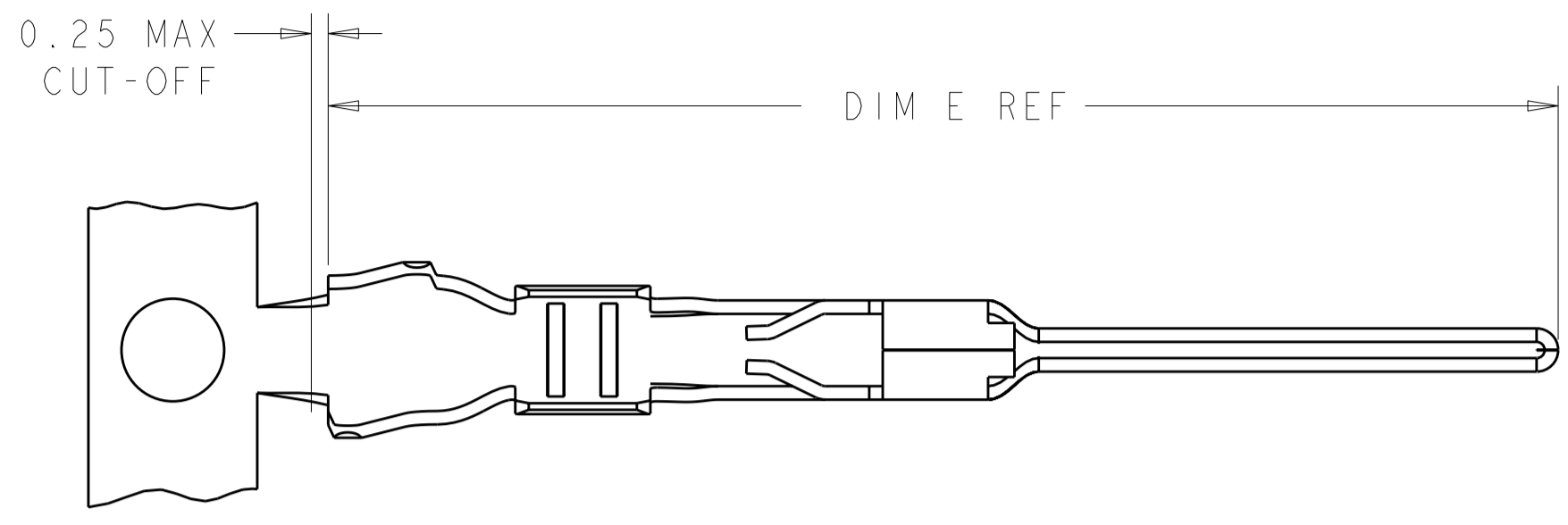
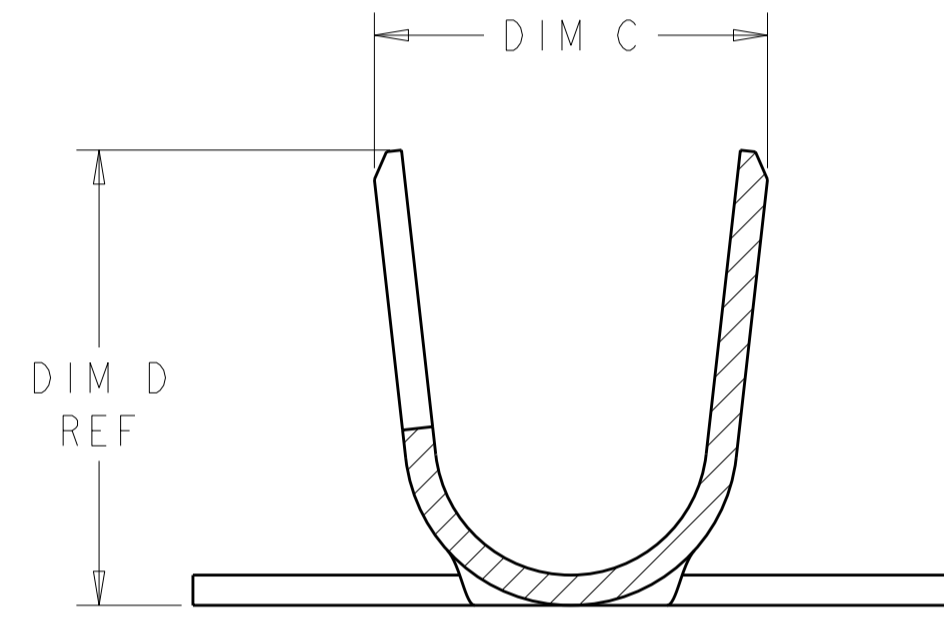
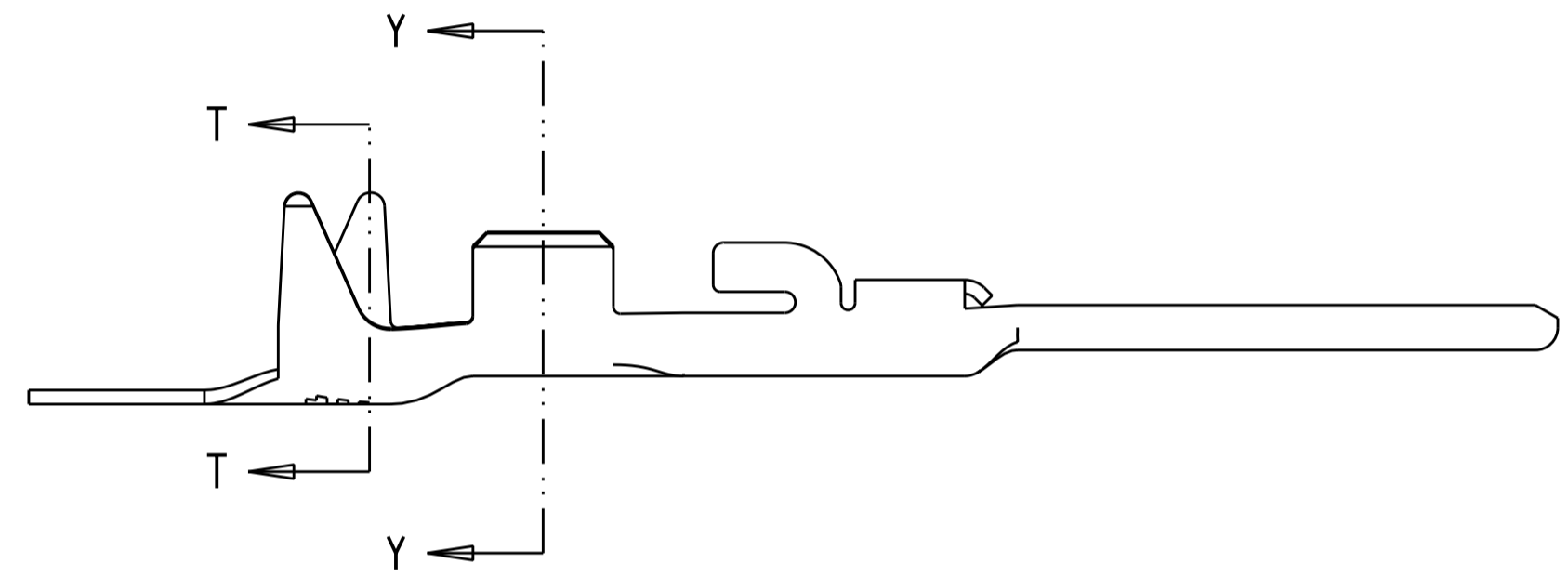


THIS DRAWING IS UNPUBLISHED. RELEASED FOR PUBLICATION 20
 © COPYRIGHT 20 BY - ALL RIGHTS RESERVED.

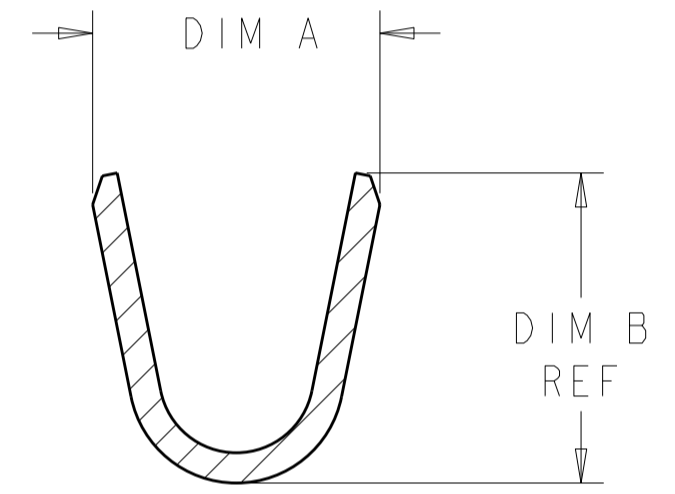
REVISONS		DATE	DWN	APVD
P	LTR	DESCRIPTION		
A3		REVISED PER ECO-11-004820	11MAR2011	RK HMR
A4		REVISED PER ECR-11-014651	20JUL2011	RK DD
A5		REVISED PER ECR-11-016987	5SEP2011	RS DD



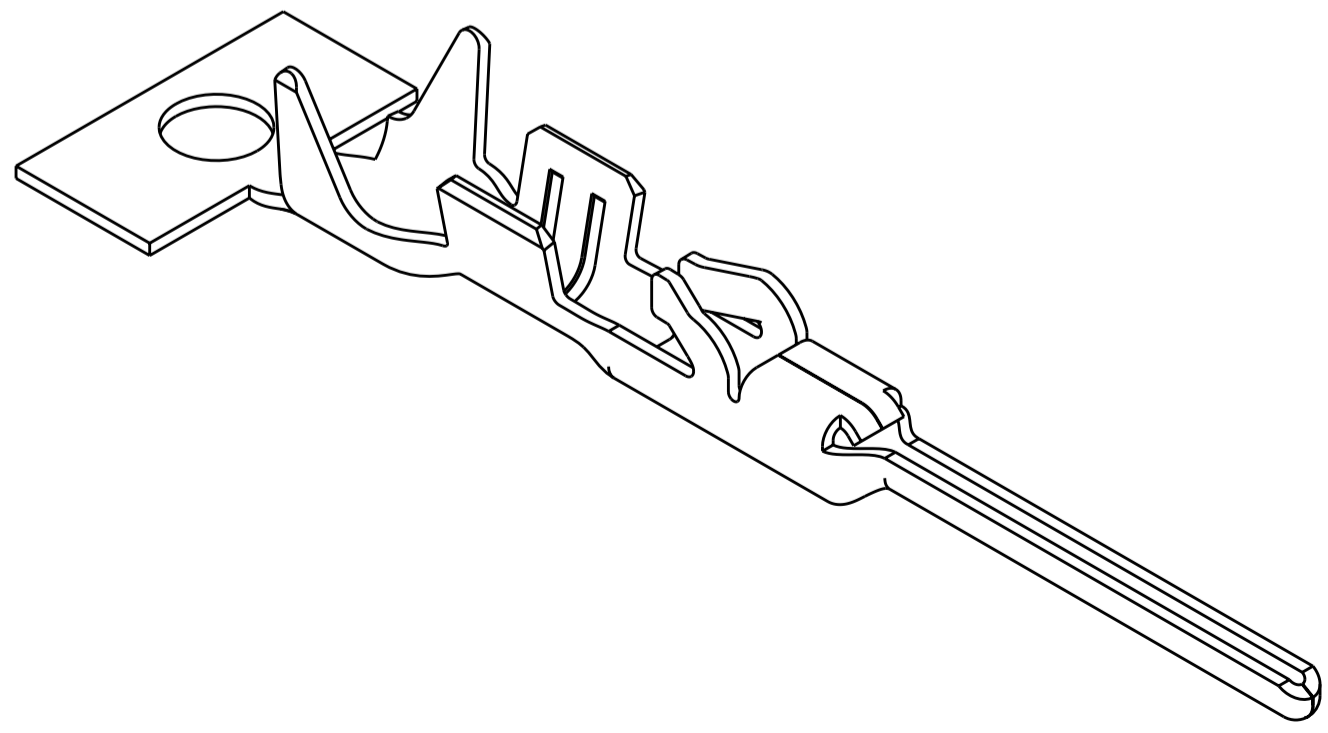
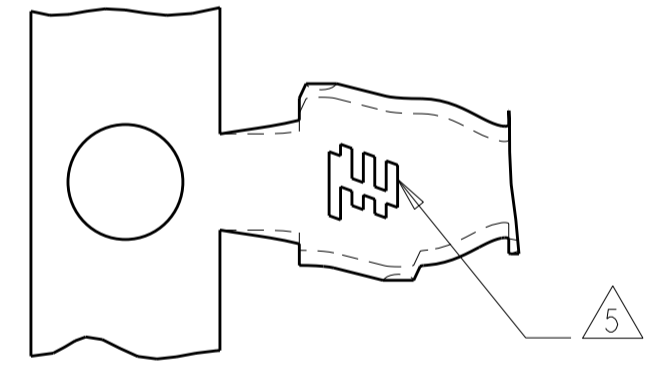
- ① BRASS, 0.20 THK. REF
- ② NICKEL UNDERPLATE OVER ALL
- ③ 0.00254 MIN THK BRIGHT TIN ENTIRE CONTACT OVER NICKEL UNDERPLATE
- ④ 0.00038 THK GOLD STRIPE
- ⑤ TE CONNECTIVITY LOGO LOCATED APPROXIMATELY AS SHOWN
- ⑥ 0.000762 THK GOLD STRIPE



SECTION T-T
SCALE 20:1



SECTION Y-Y
SCALE 20:1



18.24	2.40	2.60 2.20	1.55	1.96 1.57	1.30 - 1.60	22-24 AWG	ON REEL	⑥	3-2106124-3
18.24	2.40	2.60 2.20	1.55	1.96 1.57	1.30 - 1.60	22-24 AWG	LOOSE PIECE	② ③	2-2106124-7
18.24	2.40	2.60 2.20	1.55	1.96 1.57	1.30 - 1.60	22-24 AWG	ON REEL	② ③ ④	2-2106124-3
18.24	2.40	2.60 2.20	1.55	1.96 1.57	1.30 - 1.60	22-24 AWG	ON REEL	② ③	2-2106124-2
18.24	3.01	2.80 2.40	2.05	2.32 1.92	1.70 - 2.10	18-20 AWG	LOOSE PIECE	② ③	2106124-9
18.24	3.01	2.80 2.40	2.05	2.32 1.92	1.70 - 2.10	18-20 AWG	ON REEL	② ③ ④	2106124-3
18.24	3.01	2.80 2.40	2.05	2.32 1.92	1.70 - 2.10	18-20 AWG	ON REEL	② ③	2106124-2
DIM E	DIM D	DIM C	DIM B	DIM A	INSULATION DIA	WIRE RANGE	REMARKS	FINISH	PART NO

THIS DRAWING IS A CONTROLLED DOCUMENT.		DWN R BROWN 05MAR2009	STE TE Connectivity															
		CHK A BUCHER 05MAR2009																
DIMENSIONS: mm		TOLERANCES UNLESS OTHERWISE SPECIFIED:		NAME CONTACT, TAB, CRIMP SNAP-IN SLIM SEAL SSL														
<table border="1"> <tr><td>0 PLC</td><td>±</td></tr> <tr><td>1 PLC</td><td>±</td></tr> <tr><td>2 PLC</td><td>±0.13</td></tr> <tr><td>3 PLC</td><td>±</td></tr> <tr><td>4 PLC</td><td>±</td></tr> <tr><td>ANGLES</td><td>±°</td></tr> <tr><td>FINISH</td><td></td></tr> </table>		0 PLC	±	1 PLC	±	2 PLC	±0.13	3 PLC	±	4 PLC	±	ANGLES	±°	FINISH		PRODUCT SPEC 108-2391	SIZE A200779	
0 PLC	±																	
1 PLC	±																	
2 PLC	±0.13																	
3 PLC	±																	
4 PLC	±																	
ANGLES	±°																	
FINISH																		
MATERIAL ①		APPLICATION SPEC 114-13261	DRAWING NO C-2106124															
SEE NOTES		WEIGHT -	RESTRICTED TO -															
CUSTOMER DRAWING		SCALE 10:1		SHEET 1 OF 1 REV A5														