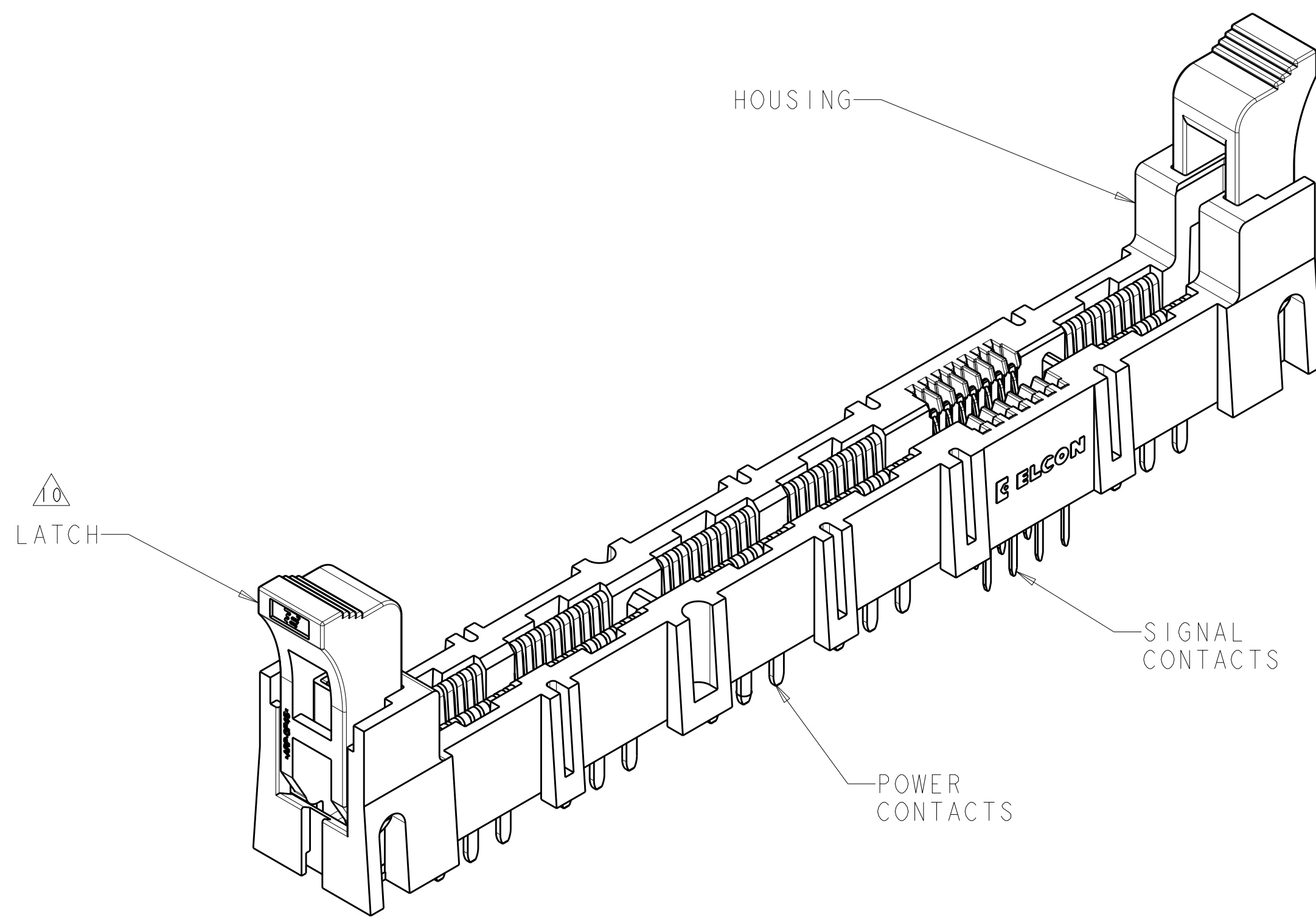


LOC	DIST	REVISIONS			
GP	00	REV	DATE	BY	APPD
		A	REV PER ECO-09-028456	30DEC2009	RG MS
		B	REV PER ECO-10-006321	30MAR2010	RG MS



ISOMETRIC VIEW 2085296-1
 SCALE 4:1

1. PART NUMBER CHANGES AND OR DESIGN CHANGES AFFECTING ITEM INTERCHANGEABILITY REQUIRE PRIOR TYCO ELECTRONICS APPROVAL AND AUTHORIZATION BY REVISION TO THIS DRAWING.

2. MATERIAL:
 HOUSING: GLASS FILLED POLYESTER, COLOR-BLACK
 UL94 -V0 FLAMMABILITY RATED
 LATCHES: THERMOPLASTIC, GLASS REINFORCED,
 COLOR: BLACK, UL94 -V0
 CONTACTS: COPPER ALLOY

3. FINISH:
 SIGNAL CONTACTS:
 1.27µm MIN NICKEL PLATE ALL OVER EXCEPT IN MATING AREA
 MATING AREA : 0.76µm MIN GOLD OVER 3.81µm MIN NICKEL
 SOLDER TAILS: 2.0µm MIN TIN OVER NICKEL PLATE
 POWER CONTACTS:
 1.27µm MIN NICKEL PLATE ALL OVER
 MATING AREA: 0.76µm MIN GOLD OVER NICKEL PLATE
 SOLDER TAILS: 3.05µm MIN TIN OVER NICKEL PLATE

4. ITEMS PROVIDED TO THIS SPECIFICATION TO BE PERMANENTLY IDENTIFIED WITH PART NUMBER AND DATE CODE.

5. MAXIMUM BURR OF 0.013 ON CARD TAB AREA.

6. SET TRACE BACK FROM PC BOARD EDGE. NO SOLDERMASK ALLOWED BETWEEN PC BOARD EDGE AND TRACE.

7. CONNECTOR ACCEPTS 1.57±0.13 THICK PC BOARD.

8. KEEP OUT AREA FOR COMPONENTS ONLY.

9. FEATURE REQUIRED FOR USE WITH EJECTOR.

10. CAUTION:
 LATCHES ARE INTENDED FOR RETENTION OF PC BOARD TO CONNECTOR. DO NOT ATTEMPT TO FULLY EJECT PC BOARD FROM CONNECTOR WHILE DISENGAGING LATCHES, DAMAGE TO LATCHES AND OR CONNECTOR MAY OCCUR.

11. RECOMMENDED GOLD FINGER LENGTH FOR RELIABLE CONTACT.

12. DATUMS AND BASIC DIMENSIONS ESTABLISHED BY CUSTOMER.

13. APPLY SOLDERMASK TO COVER TRACES ROUTED WITHIN SIGNAL CONTACTS TAIL REGION.

14. RECOMMENDED PRINTED CIRCUIT BOARD HOLE:
 FINISHED HOLE : Ø1.02±0.05
 DRILLED HOLE : Ø1.15±0.013
 COPPER PLATE : 0.025 - 0.050 (PER SURFACE)
 TIN PLATE : 0.0005 MIN (PER SURFACE)

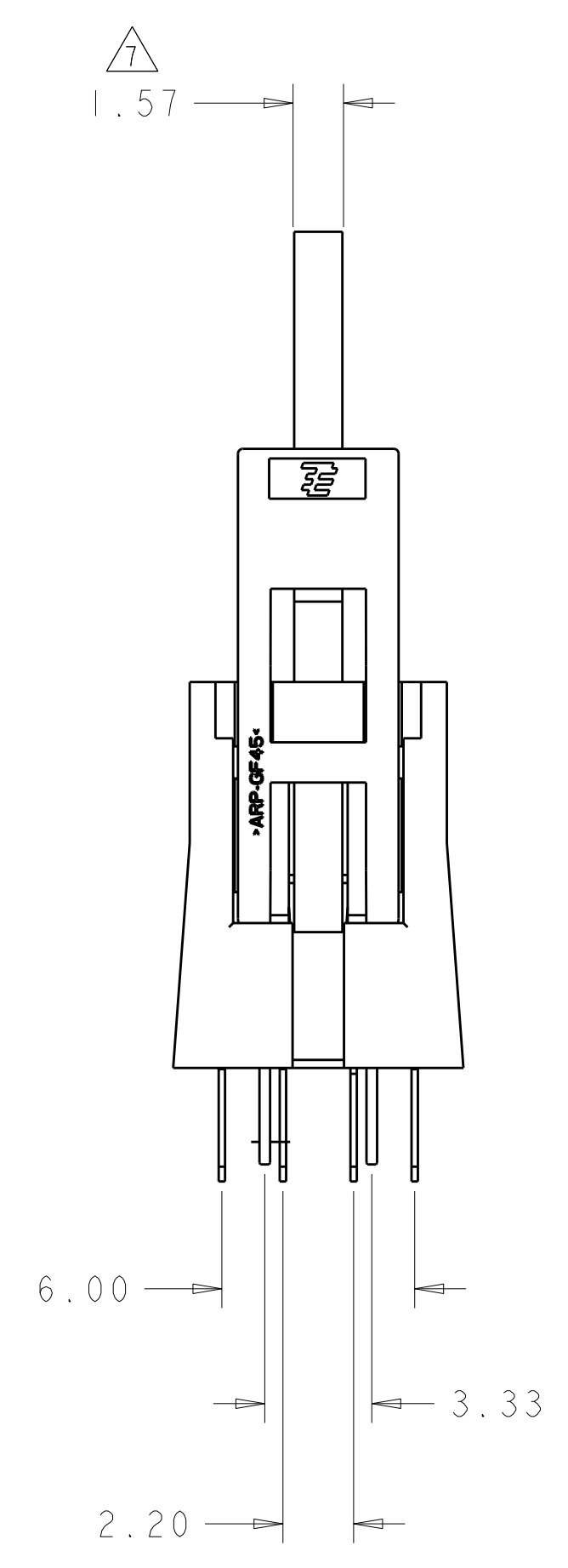
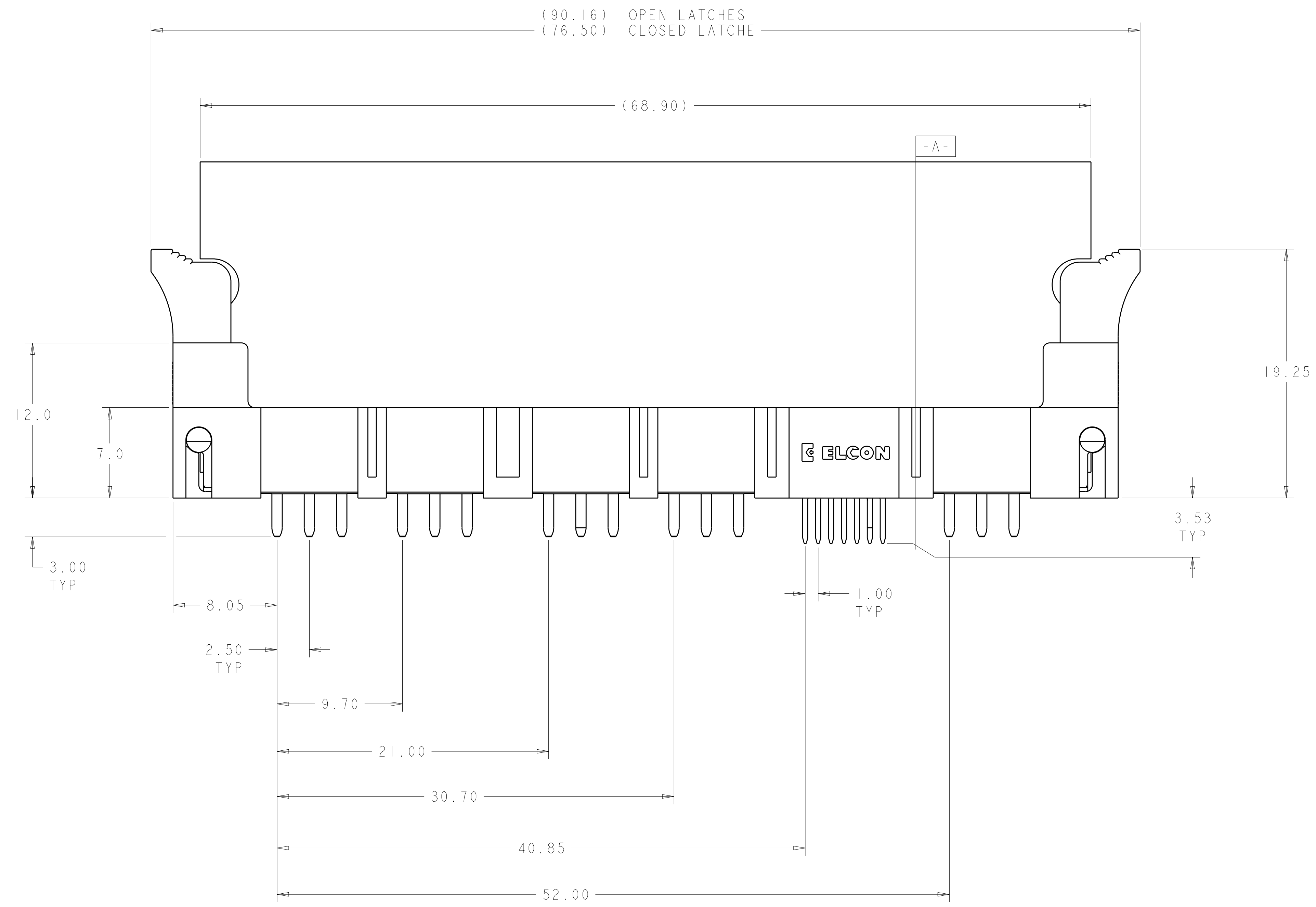
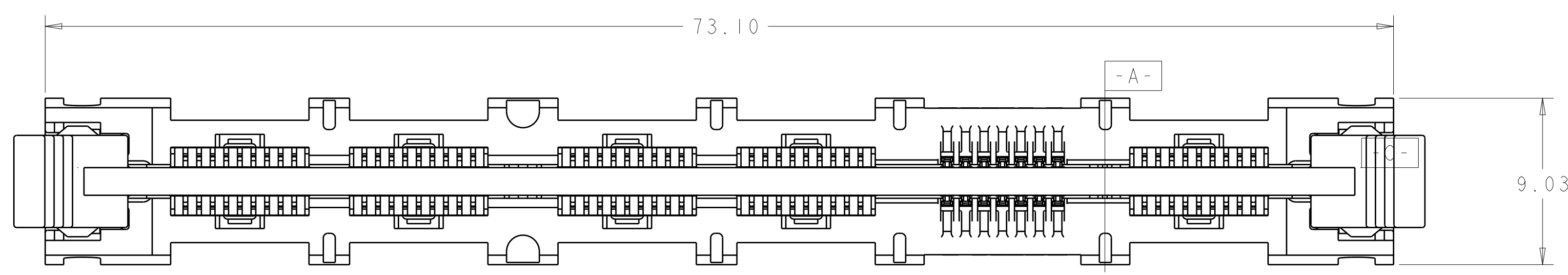
15. RECOMMENDED PRINTED CIRCUIT BOARD HOLE:
 FINISHED HOLE : Ø0.56±0.05
 DRILLED HOLE : Ø0.65±0.018
 COPPER PLATE : 0.025 - 0.050 (PER SURFACE)
 TIN PLATE : 0.0005 MIN (PER SURFACE)

AS SHOWN	2085296-1
DESCRIPTION	PART NUMBER

<small>THIS DRAWING IS UNPUBLISHED. RELEASED FOR PUBLICATION 20</small> <small>© COPYRIGHT 20 BY TYCO ELECTRONICS CORPORATION, ALL RIGHTS RESERVED.</small>		DWN R. GRZYBOWSKI 16SEPT09 CHK R. LONDON 16SEPT09 APVD M. PERCHERKE 16SEPT09	Tyco Electronics Harrisburg, PA 17105-3608
DIMENSIONS: mm 	TOLERANCES UNLESS OTHERWISE SPECIFIED: 0 PLC ±.5 1 PLC ±0.5 2 PLC ±0.25 3 PLC ±.5 4 PLC ±.5 ANGLES ±.5 FINISH #2	NAME PRODUCT SPEC APPLICATION SPEC WEIGHT CUSTOMER DRAWING	NAME PRODUCT SPEC APPLICATION SPEC WEIGHT CUSTOMER DRAWING
MATERIAL FINISH		SIZE CAGE CODE DRAWING NO A100779C=2085296	RESTRICTED TO SCALE 5:1 SHEET 1 OF 4 REV B

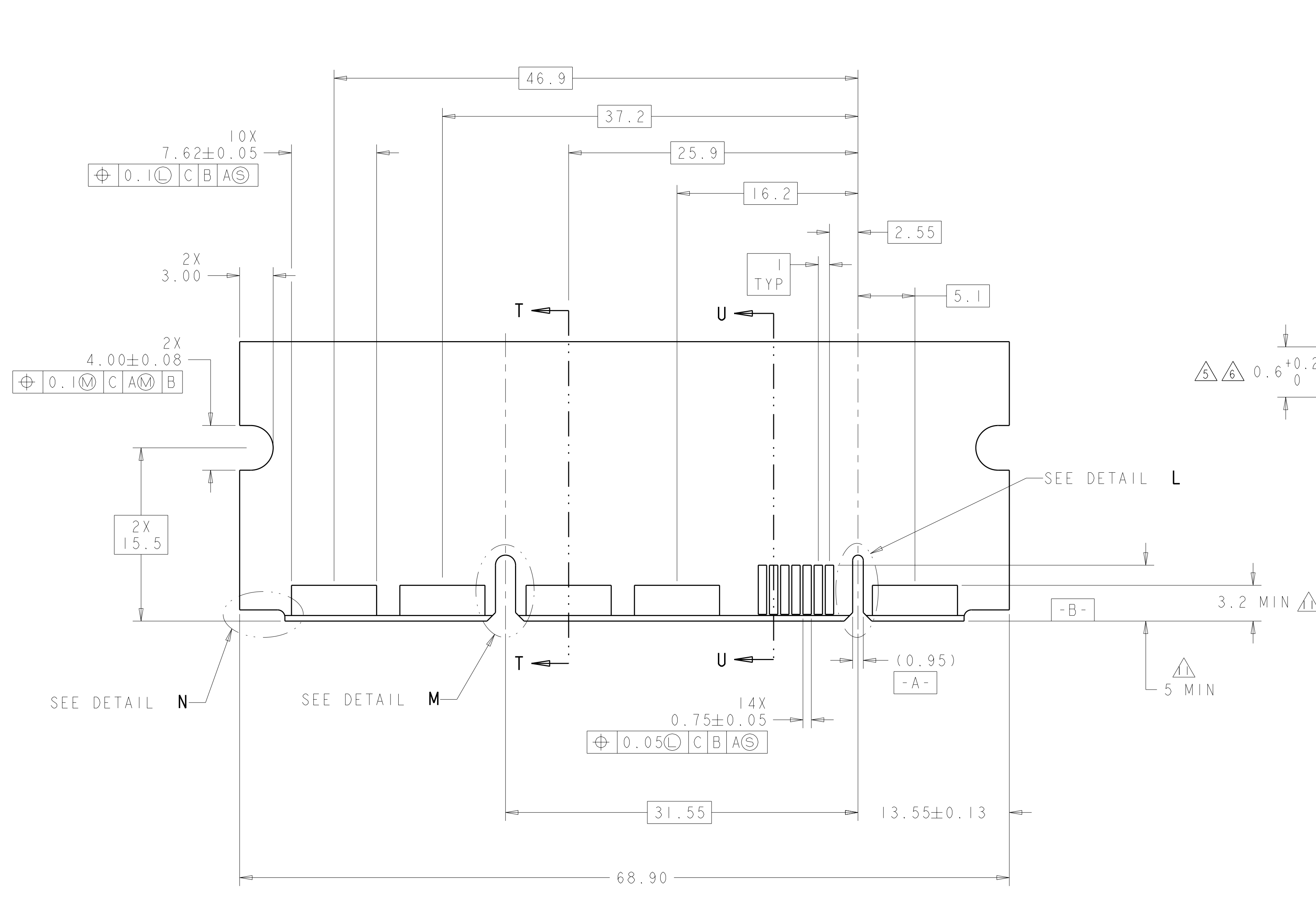
LOC	DIST	REV	DATE	BY	APPD
GP	00				

REVISIONS			
NO.	DESCRIPTION	DATE	BY
1	SEE SHEET 1	-	-

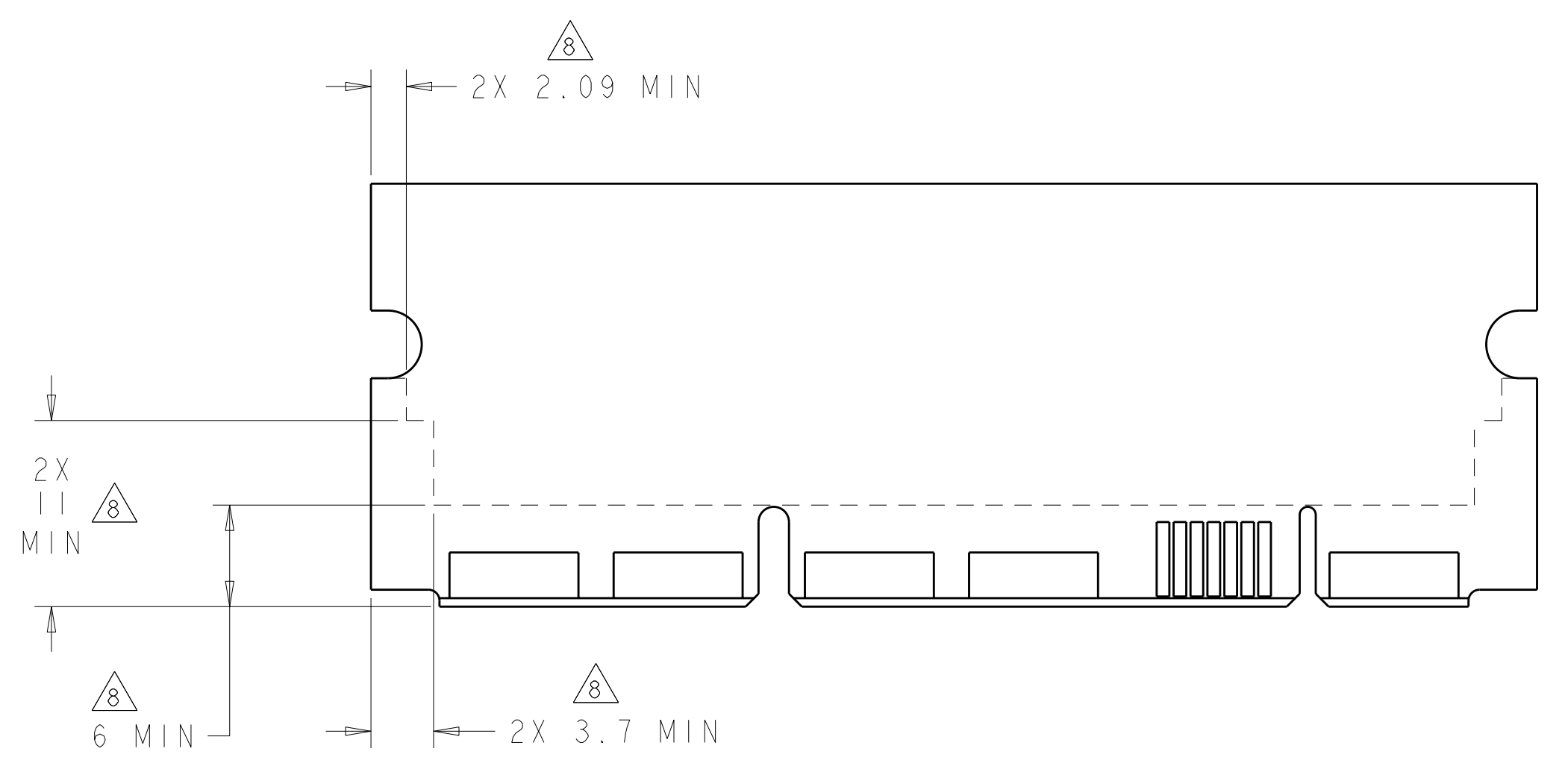


DIMENSIONS: mm 		TOLERANCES UNLESS OTHERWISE SPECIFIED: 9 PLC ±.5 1 PLC ±0.5 3 PLC ±0.25 5 PLC ±.5 4 PLC ±.5 ANGLES ±.2		DWN R. GRZYBOWSKI 16SEPT09 CHK R. LONDON 16SEPT09 APVD M. PERCHERKE 16SEPT09		Tyco Electronics Harrisburg, PA 17105-3608	
MATERIAL FINISH		WEIGHT CUSTOMER DRAWING		NAME CONNECTOR, SOCKET WITH LATCH STRAIGHT, SOLDER TAIL MCE-PS57 MINI CROWN EDGE		SIZE CAGE CODE DRAWING NO. RESTRICTED TO A100779C=2085296	
SCALE 5:1 SHEET 2 OF 4 REV B				DATE: 16SEPT09			

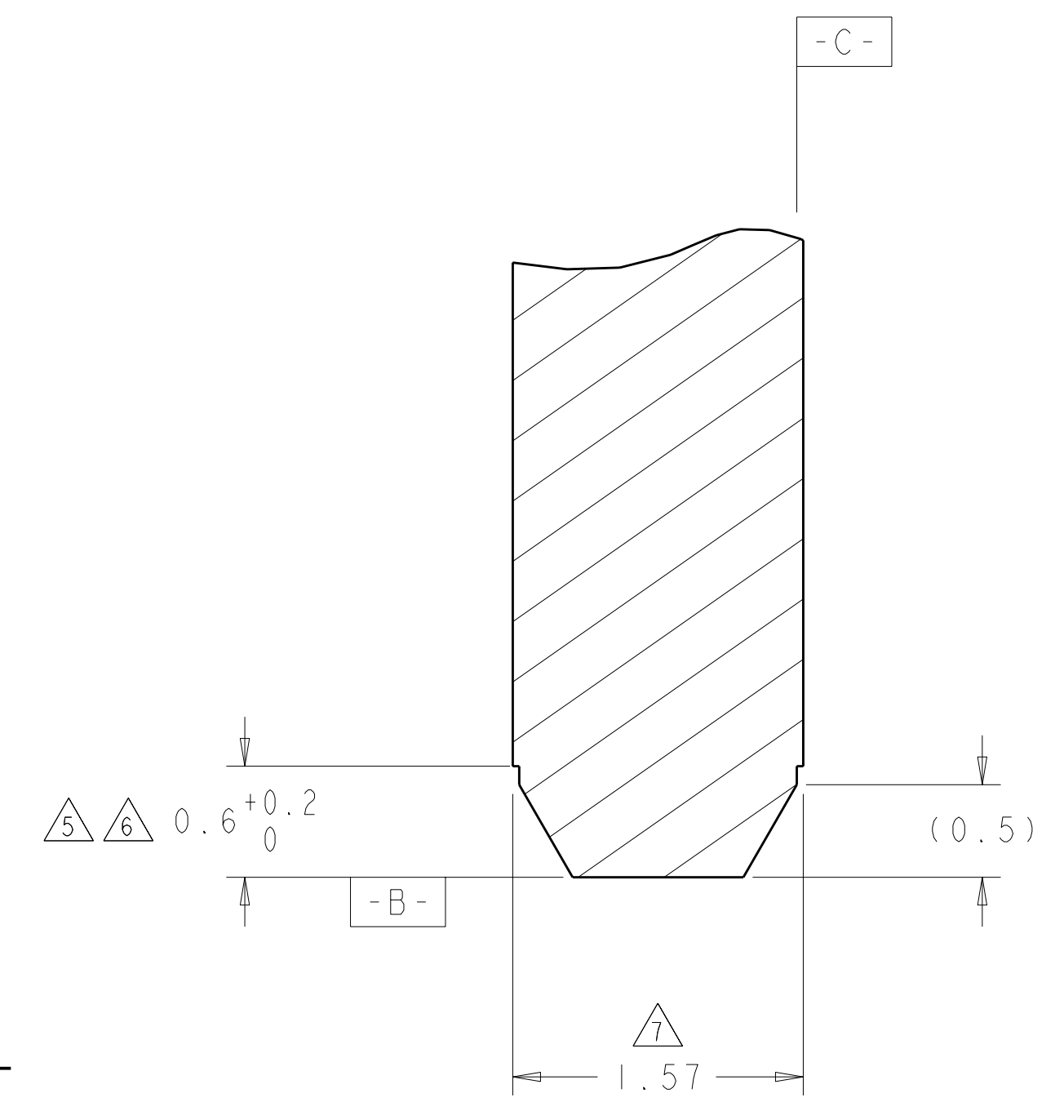
LOC	DIST	REV	DATE	BY	APPD
GP	00				



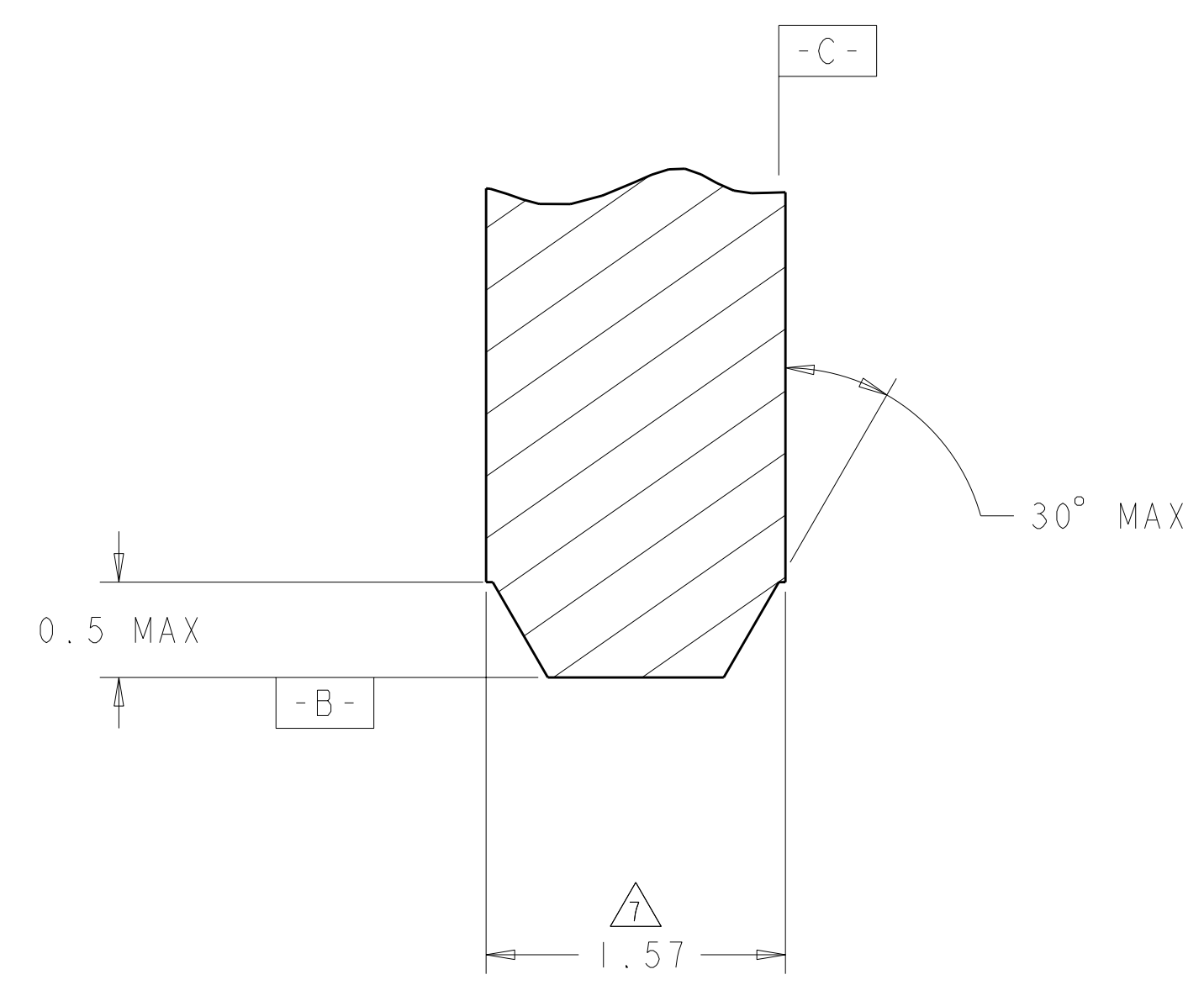
RECOMMENDED MATING BOARD
SCALE 4:1



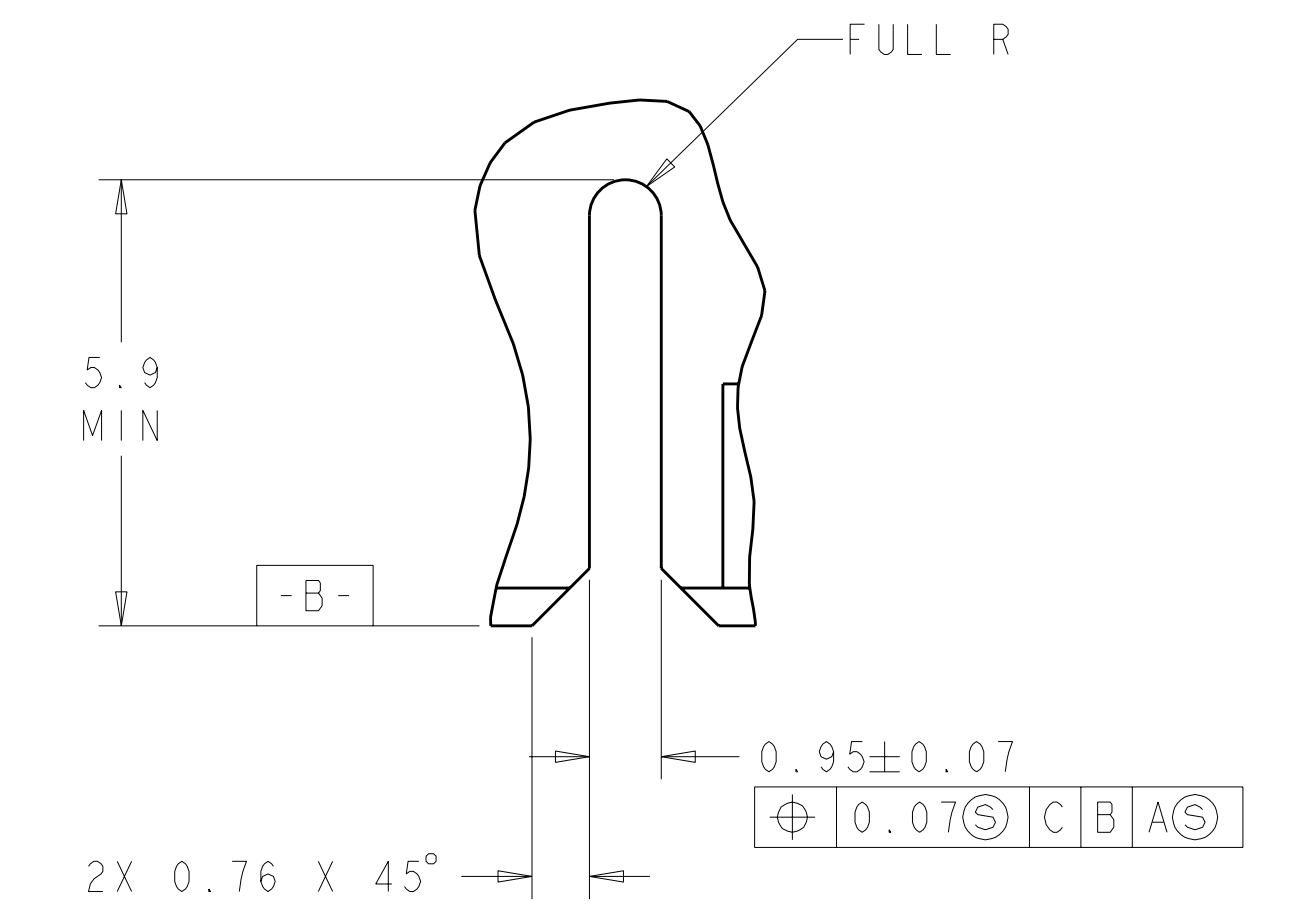
RECOMMENDED PC BOARD KEEP OUT AREA
SCALE 3:1



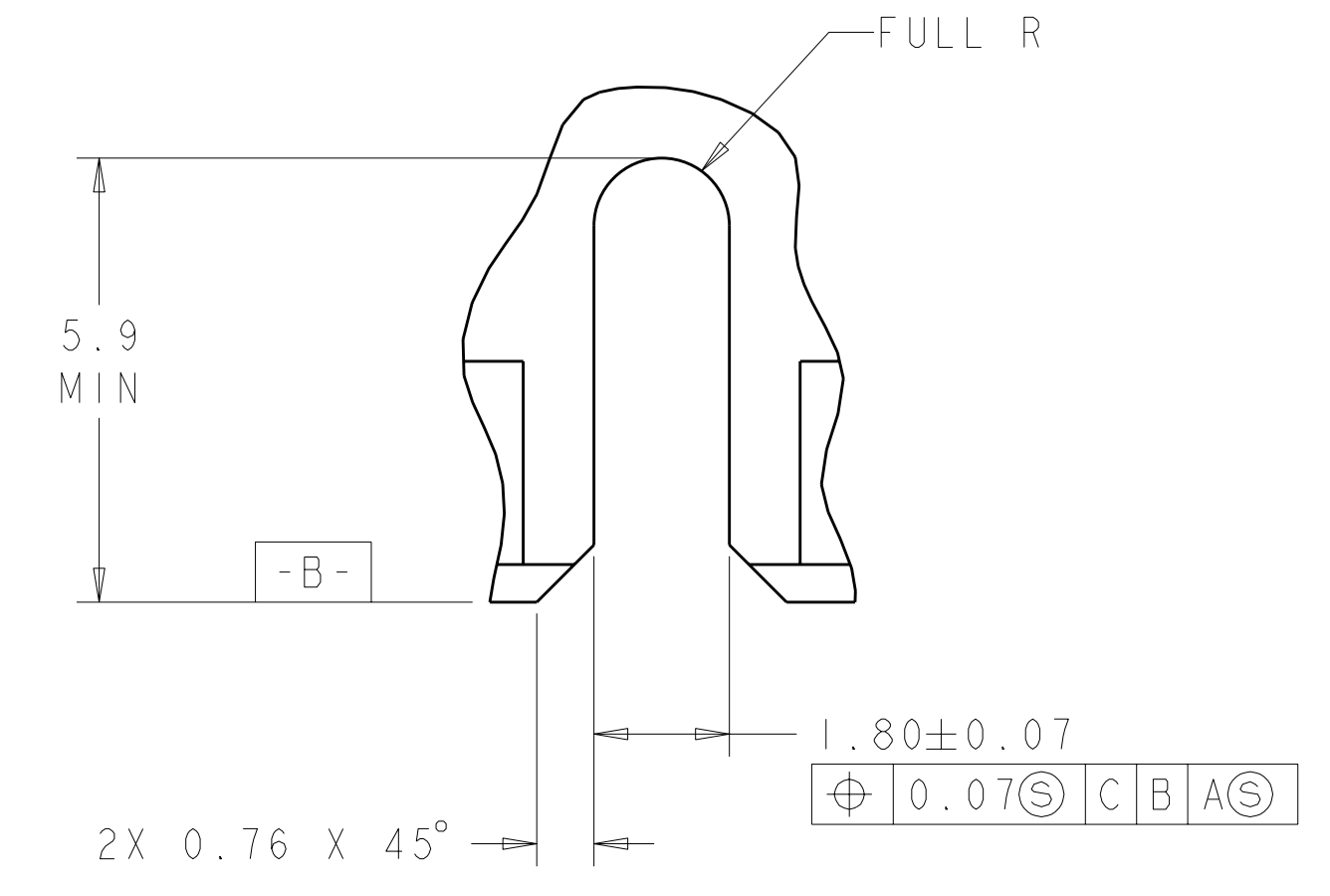
SECTION U-U
SCALE 30:1



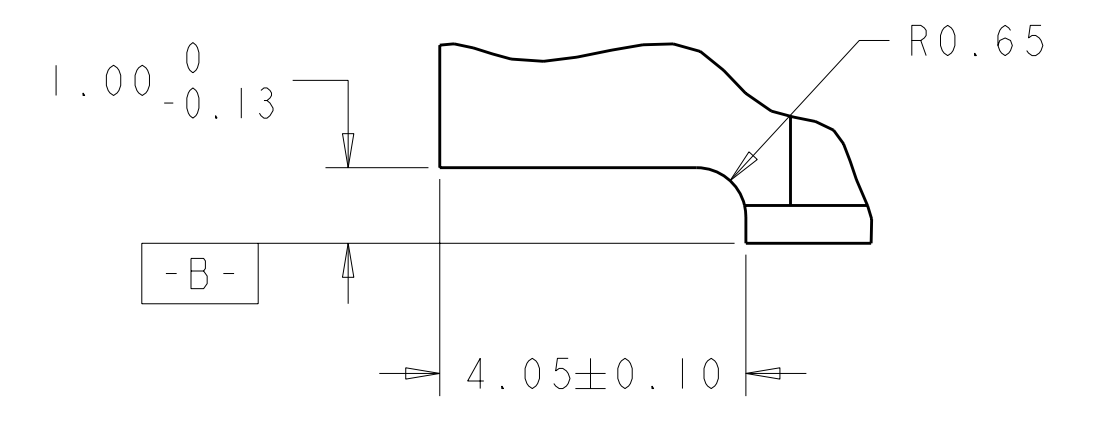
SECTION T-T
SCALE 30:1



DETAIL L
SCALE 10:1



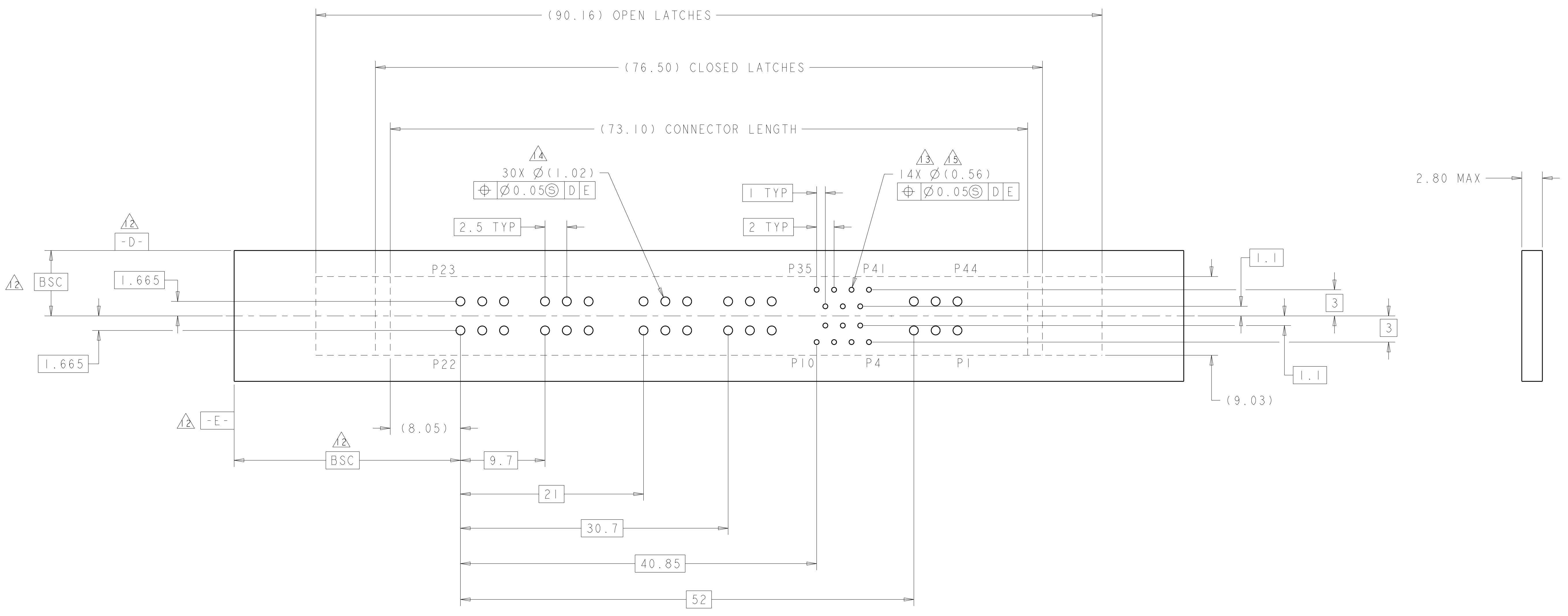
DETAIL M
SCALE 10:1



DETAIL N
2X TYPICAL
SCALE 10:1

DIMENSIONS: mm 		TOLERANCES UNLESS OTHERWISE SPECIFIED: 9 PLC ±.5 1 PLC ±0.5 5 PLC ±0.25 4 PLC ±.2 ANGLES ±.2		DWN R. GRZYBOWSKI 16SEPT09 CHK R. LONDON 16SEPT09 APVD M. PERCHERKE 16SEPT09		Tyco Electronics Harrisburg, PA 17105-3608	
MATERIAL FINISH		WEIGHT CUSTOMER DRAWING		NAME PRODUCT SPEC APPLICATION SPEC SIZE CAGE CODE DRAWING NO A100779C=2085296		RESTRICTED TO SCALE 5:1 SHEET 3 OF 4 REV B	

LOC	DIST	REV	DATE	BY	APPD
GP	00				
DESCRIPTION			DATE	DWN	APPD
SEE SHEET 1					



RECOMMENDED PRINTED CIRCUIT BOARD LAYOUT
 SCALE 4:1

<small>THIS DRAWING IS UNPUBLISHED. RELEASED FOR PUBLICATION 20. © COPYRIGHT 20 BY TYCO ELECTRONICS CORPORATION. ALL RIGHTS RESERVED.</small>		DWN: R. GRZYBOWSKI 16SEPT09 CHK: R. LONDON 16SEPT09 APVD: M. PERCHERKE 16SEPT09	Tyco Electronics Harrisburg, PA 17105-3608
DIMENSIONS: mm 	TOLERANCES UNLESS OTHERWISE SPECIFIED: 9 PLC ±.5 1 PLC ±0.5 5 PLC ±0.25 4 PLC ±. ANGLES ±. FINISH #2	NAME: CONNECTOR, SOCKET WITH LATCH STRAIGHT, SOLDER TAIL MCE-PS57 MINI CROWN EDGE PRODUCT SPEC: - APPLICATION SPEC: - WEIGHT: - CUSTOMER DRAWING	SIZE: A 00779 C=2085296 SCALE: 5:1 SHEET: 4 OF 4 REV: B