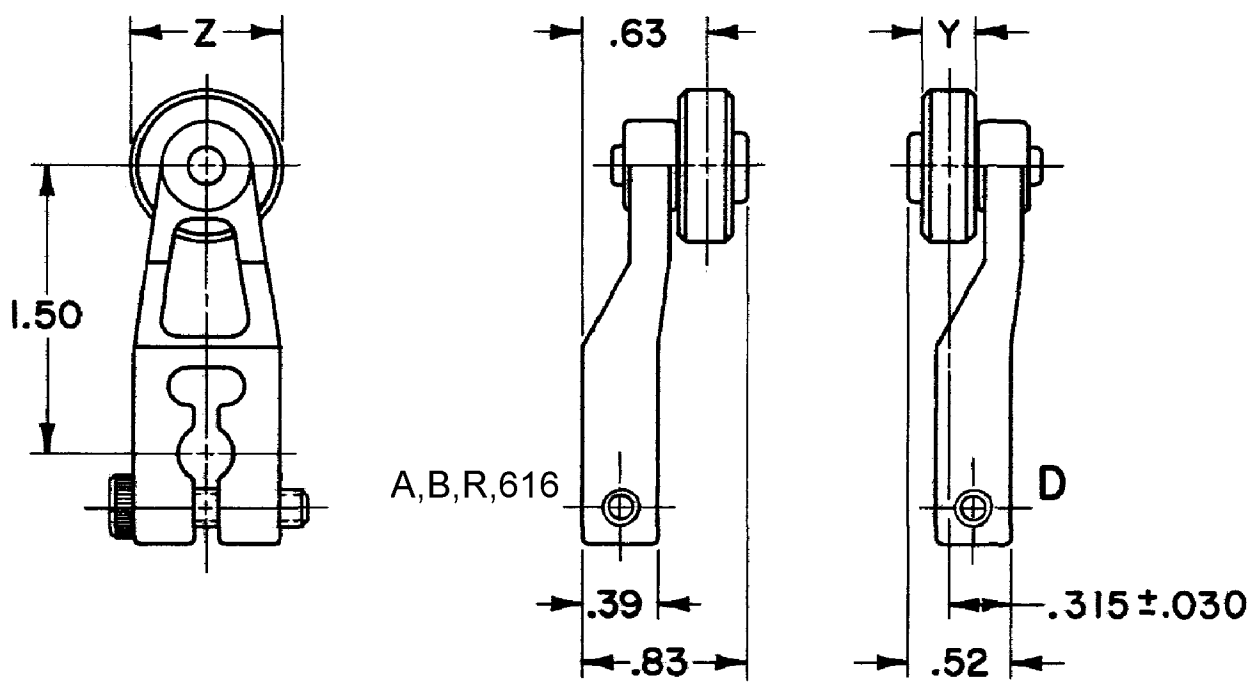


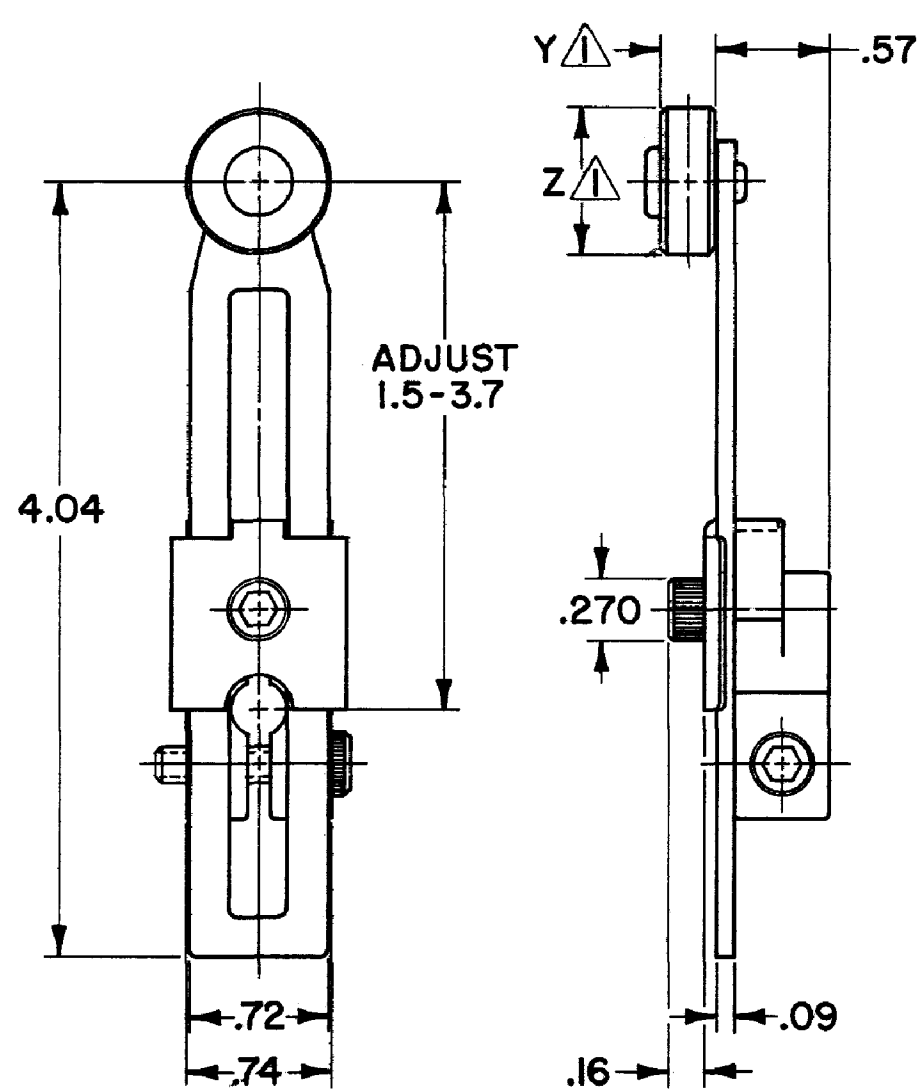
LEVERS FOR ROTARY LIMIT SWITCHES

CATALOG LISTING	ROLLER	Z DIA.	Y WIDTH
LS2Z51A	NYLON	.750	.280
LS2Z51B	STAINLESS STEEL	.750	.280
LS2Z51D	STAINLESS STEEL	.750	.280
LS2Z51R	NYLON	1.59	.280
LS2Z616 <sup>2</sup>	STAINLESS STEEL	.750	.280



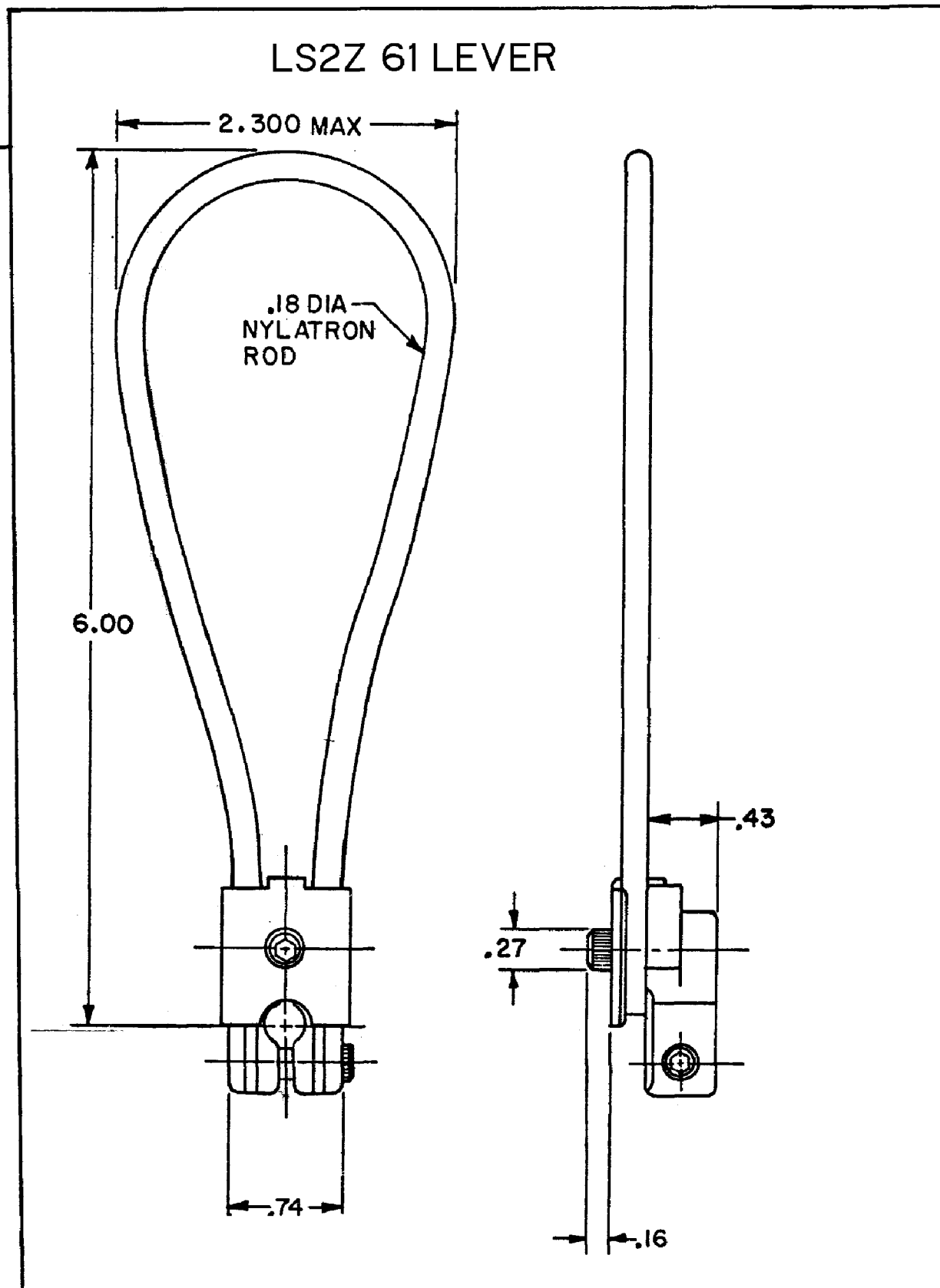
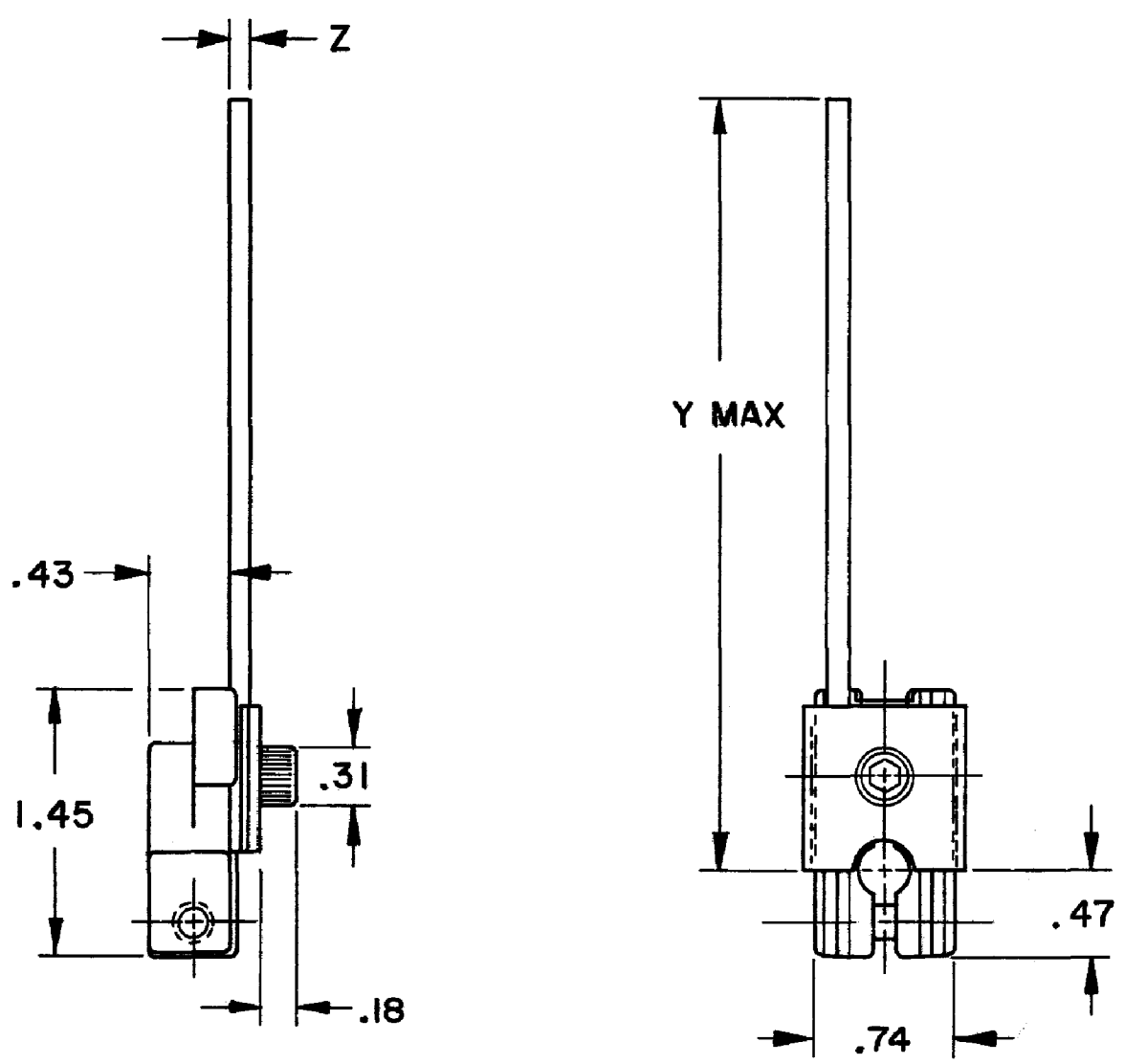
LEVERS FOR ROTARY LIMIT SWITCHES

CATALOG LISTING	ROLLER	Z DIA.	Y WIDTH
LS2Z52B <sup>1</sup>	STAINLESS STEEL	.750	.280
LS2Z52D	STAINLESS STEEL	.750	.280
LS2Z52A <sup>1</sup>	NYLON	.750	.280



NOTES  
<sup>1</sup> ROLLER ON OPPOSITE SIDE OF LEVER  
<sup>2</sup> LEVER TO ACCEPT SPLINE SHAFT

CATALOG LISTING	Z DIA	Y LENGTH
LS2Z54N	.125	13.0
LS2Z54	0	0



MASTER REDUCED

MICRO SWITCH  
 FREEPORT ILLINOIS U.S.A.  
 A DIVISION OF HONEYWELL  
 THIS DRAWING COVERS A PROPRIETARY ITEM AND IS THE PROPERTY OF MICRO SWITCH, A DIVISION OF HONEYWELL. THIS DRAWING IS NOT TO BE COPIED OR USED WITHOUT THE APPROVAL OF MICRO SWITCH.  
 SWITCH-ENCLOSED  
 LS2Z SERIES  
 CHART 1  
 DESIGN UNITS: INCHES  
 TOLERANCES: .0005, .001, .002, .005, .010, .015, .030, .050, .100, .150, .300, .500, 1.000  
 DIMENSIONS ARE TO UNLESS OTHERWISE SPECIFIED  
 PROTECTIVE COATING AND FINISH ARE AS APPLICABLE  
 WEIGHT