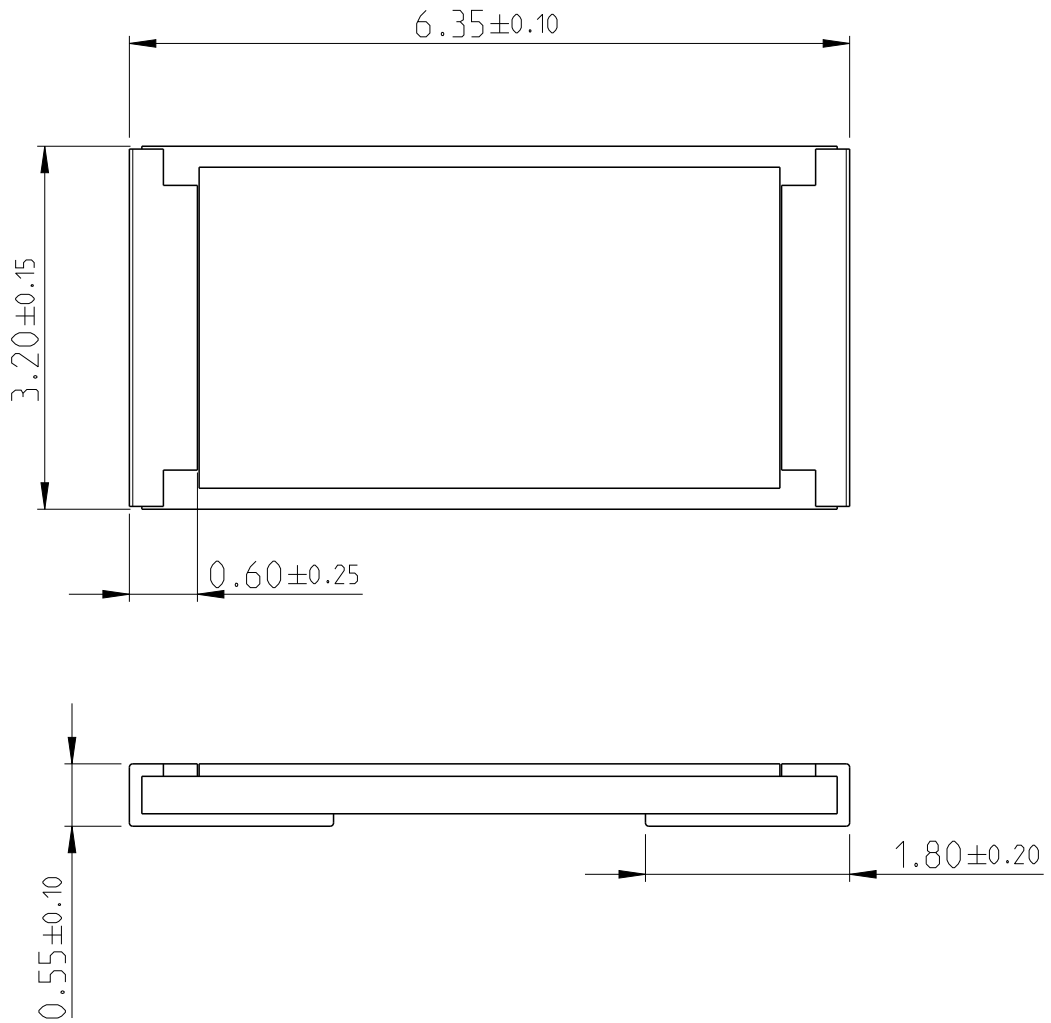
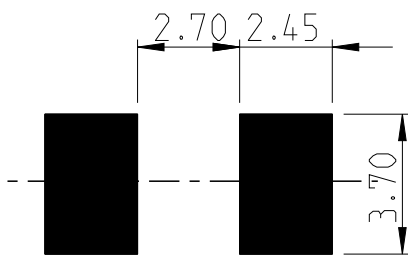


LOC	DIST	REVISIONS					
-	-	P	LTR	DESCRIPTION	DATE	DWN	APVD
		BB1	ECR-15-009470		24 JUN 2015	KR	TN

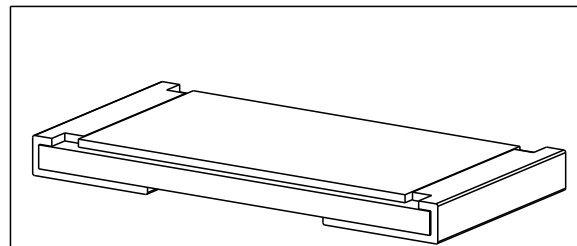


FOR FURTHER INFORMATION SEE PRODUCT SPECIFICATION FOR CRGH SERIES



PCB LAYOUT PLAN

RoHS Compliant



20



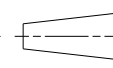
RELEASED FOR PUBLICATION

ALL RIGHTS RESERVED.

THIS DRAWING IS UNPUBLISHED.

BY -

© COPYRIGHT 20

DIMENSIONS: mm	DWN RAGHAVENDRA K 27 JUN 2012	MATERIAL	FINISH
TOLERANCES UNLESS OTHERWISE SPECIFIED:	CHK ALLAN P 27 JUN 2012	 TE Connectivity	
0 PLC ±	APVD TONY N 27 JUN 2012		
1 PLC ±0.5	PRODUCT SPEC	NAME SMD POWER	
2 PLC ±0.13	APPLICATION SPEC	RESISTORS - TYPE CRGH2512 SERIES	
3 PLC ±0.013	WEIGHT	SIZE	CAGE CODE
4 PLC ±0.0001	-	A 4	00779
ANGLES ±	Customer Drawing	DRAWING NO	RESTRICTED TO
		©=1879526	-
		SCALE	SHEET
		40:1	1 OF 1
		REV	BB1