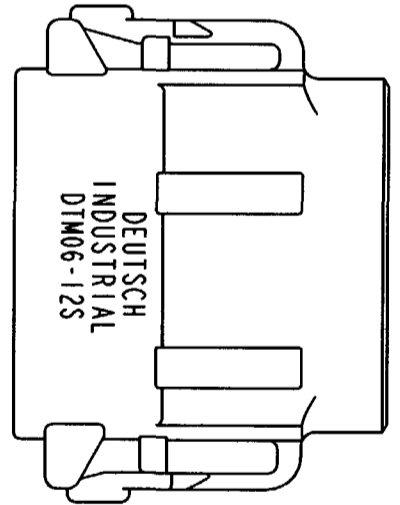
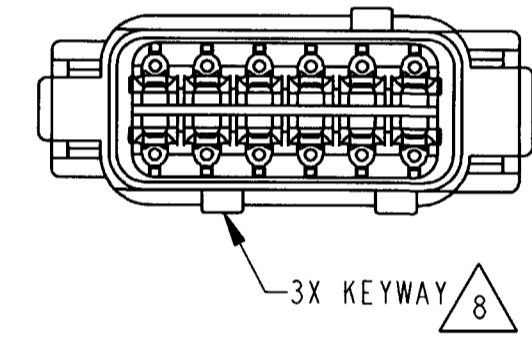
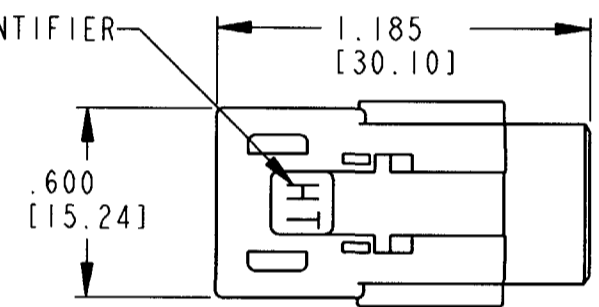
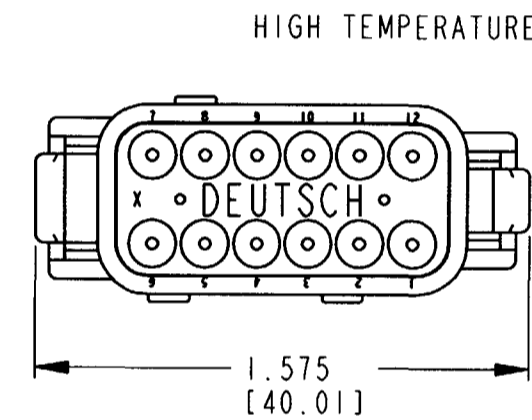
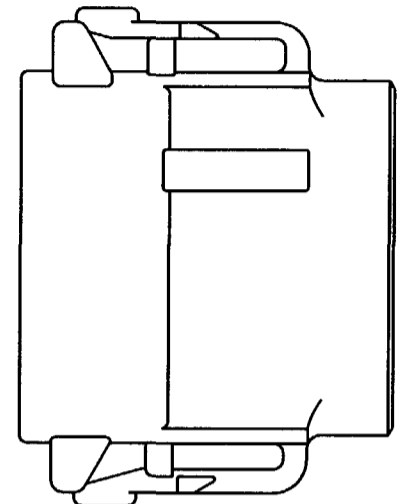


REV
A DTM06-12S*-EE04

| REVISIONS | | | |
|-----------|-----------------------------|---------|----------|
| SYM | DESCRIPTION | DATE | APPROVED |
| NC | NEW RELEASE PER E.O. P19500 | 8/22/07 | RDR |
| A | REVISED PER E.O. P19776 | 4-7-08 | RDR |
| | | | |
| | | | |



- 8. SEE SHEET 2 FOR OTHER KEY ARRANGEMENTS.
 - 7. PART MODIFICATION: PLUG IS RATED AT 150°C (COLOR: BLACK).
 - 6. MATERIAL - HOUSING: PLASTIC; GROMMET: RUBBER.
 - 5. CONNECTOR DESIGNED TO BE USED WITH DTM04-12P*-**** RECEPTACLES. (*) = A,B,C,D KEYS, (****) = ALL HIGH TEMPERATURE MODIFICATIONS. CONSULT FACTORY FOR MODIFICATIONS.
 - 4. FOR CONTACT AND WIRE PERFORMANCE AND APPLICATION CHARACTERISTICS SEE ENVELOPE DRAWING 0425-015-0000.
 - 3. SECONDARY WEDGE LOCK SOLD SEPARATELY: WM-12S.
 - 2. DIMENSION TOLERANCE: ±.025 [.64].
 - 1. DIMENSIONS ARE IN INCHES [mm].
- NOTES: UNLESS OTHERWISE SPECIFIED

| CONTACT SIZE | MIN. INSUL. O.D. | MAX. INSUL. O.D. | WIRE RANGE [mm ²] REF ONLY |
|--------------|------------------|------------------|--|
| 20 | .053 [1.35] | .120 [3.05] | 16-22 AWG [1.0-0.5] |

| SIGNATURE & DATE | |
|------------------|----------------------------|
| DR | D. MEYER 05/02/07 |
| CHK | <i>[Signature]</i> 4/10/08 |
| PE | <i>[Signature]</i> 4/10/08 |
| APPD | <i>[Signature]</i> 4/10/08 |
| SCALE | NONE |

PLUG
12 CONTACTS, SIZE 20
A,B,C,D KEYS
-EE04 MOD
DTM SERIES

ENVELOPE

EP 172 MATL CODE

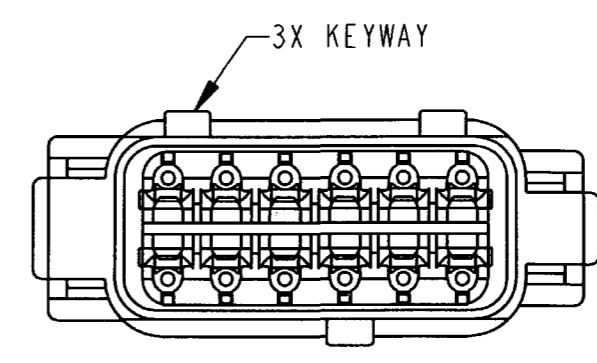
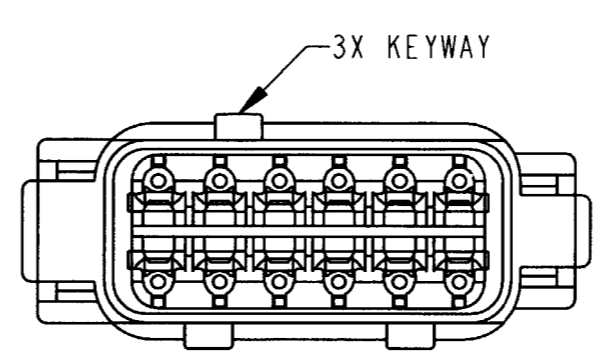
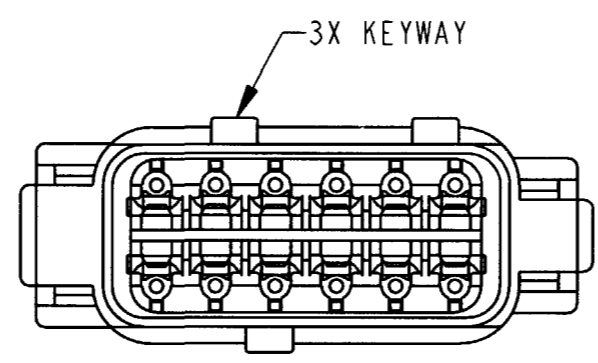
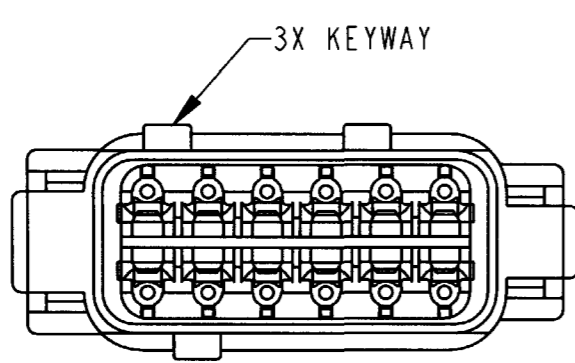
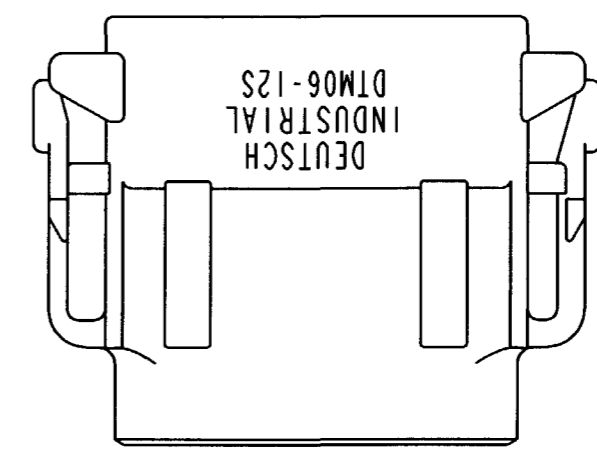
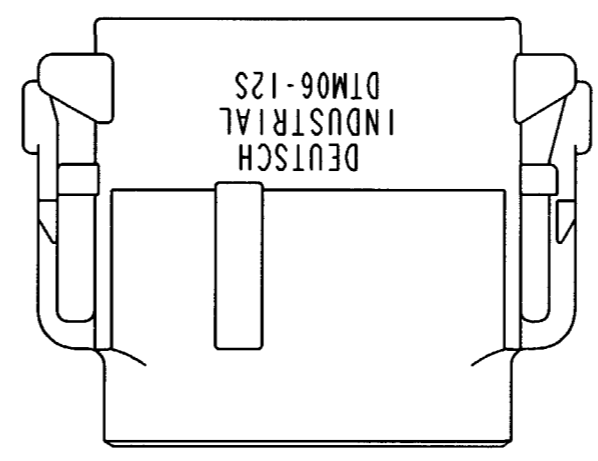
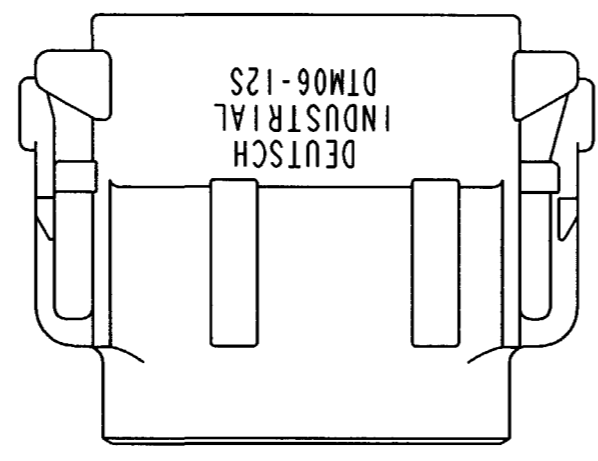
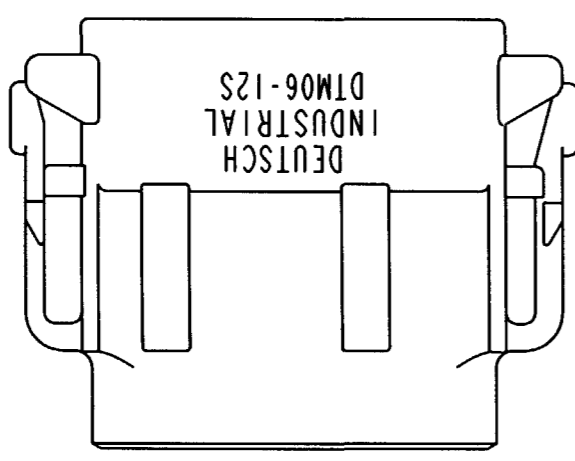
3850 INDUSTRIAL AVE.
HEMET, CA 92545

DEUTSCH
INDUSTRIAL

B DTM06-12S*-EE04

DWG SIZE 11139 SHEET 1 OF 2

| REV A | DTM06-12S*-EE04 | REVISIONS | | | |
|----------|-----------------|-----------|-------------|---------|----------|
| | | SYM | DESCRIPTION | DATE | APPROVED |
| | | A | SEE SHEET 1 | 5/12/08 | DM |
| | | | | | |
| | | | | | |



DTM06-12SA-EE04
KEY -A-
COLOR: BLACK

DTM06-12SB-EE04
KEY -B-
COLOR: BLACK

DTM06-12SC-EE04
KEY -C-
COLOR: BLACK

DTM06-12SD-EE04
KEY -D-
COLOR: BLACK

NOTES:

| | | | | |
|------------------|----------------------------|---|---|--------------|
| SIGNATURE & DATE | | PLUG 12 CONTACTS, SIZE 20 A,B,C,D KEYS -EE04 MOD DTM SERIES | EP 172 | MATL. CODE |
| DR | D. MEYER 05/02/07 | | 3850 INDUSTRIAL AVE. HEMET, CA 92545 | |
| CHK | <i>[Signature]</i> 5/12/08 | | DEUTSCH INDUSTRIAL | |
| PE | <i>[Signature]</i> 5/12/08 | | B DTM06-12S*-EE04 | |
| APPD | <i>[Signature]</i> 5/12/08 | | DWG SIZE | CODE 11139 |
| SCALE | NONE | ENVELOPE | | SHEET 2 OF 2 |