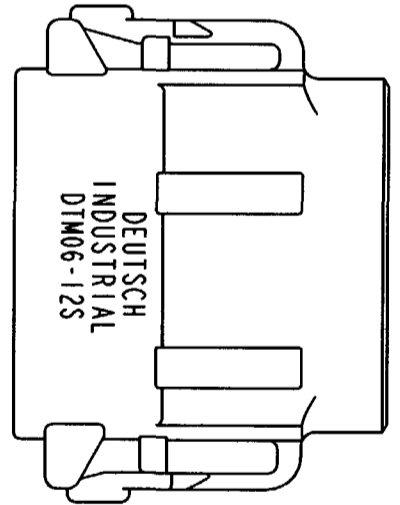
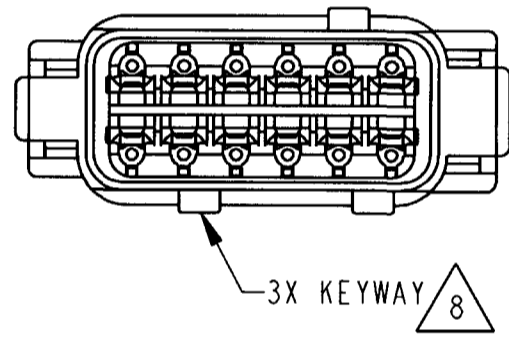
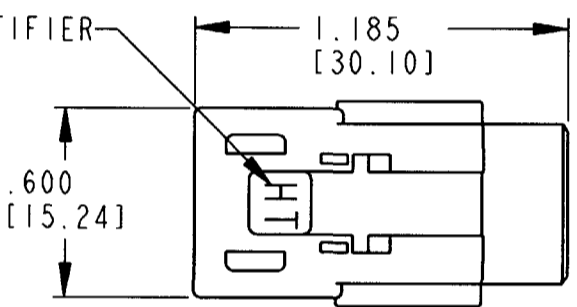
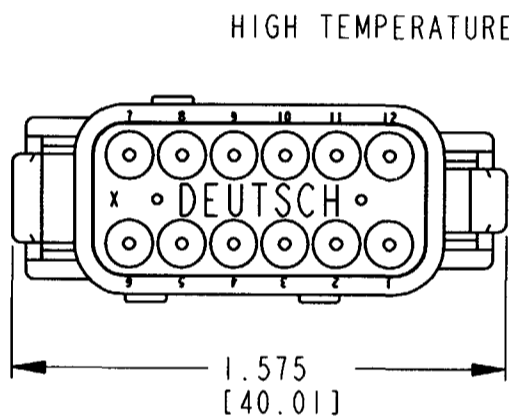
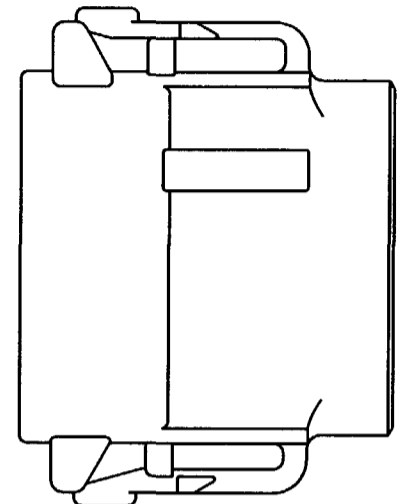


REV  
A DTM06-12S\*-EE04

REVISIONS			
SYM	DESCRIPTION	DATE	APPROVED
NC	NEW RELEASE PER E.O. P19500	8/22/07	RDR
A	REVISED PER E.O. P19776	4-7-08	RDR



- 8. SEE SHEET 2 FOR OTHER KEY ARRANGEMENTS.
  - 7. PART MODIFICATION: PLUG IS RATED AT 150°C (COLOR: BLACK).
  - 6. MATERIAL - HOUSING: PLASTIC; GROMMET: RUBBER.
  - 5. CONNECTOR DESIGNED TO BE USED WITH DTM04-12P\*-\*\*\*\* RECEPTACLES. (\*) = A,B,C,D KEYS, (\*\*\*\*) = ALL HIGH TEMPERATURE MODIFICATIONS. CONSULT FACTORY FOR MODIFICATIONS.
  - 4. FOR CONTACT AND WIRE PERFORMANCE AND APPLICATION CHARACTERISTICS SEE ENVELOPE DRAWING 0425-015-0000.
  - 3. SECONDARY WEDGE LOCK SOLD SEPARATELY: WM-12S.
  - 2. DIMENSION TOLERANCE: ±.025 [.64].
  - 1. DIMENSIONS ARE IN INCHES [mm].
- NOTES: UNLESS OTHERWISE SPECIFIED

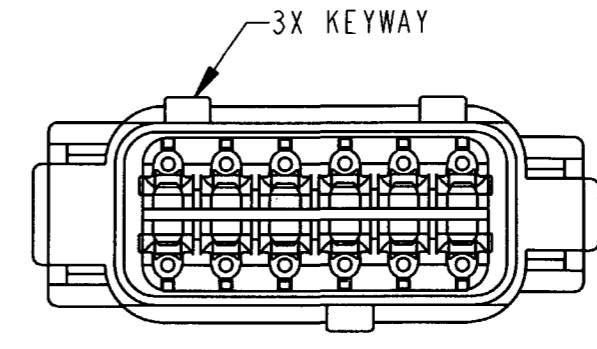
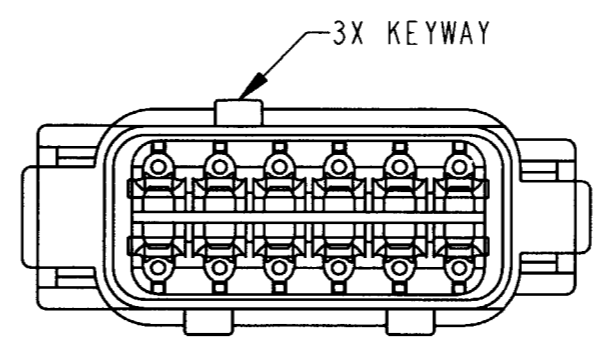
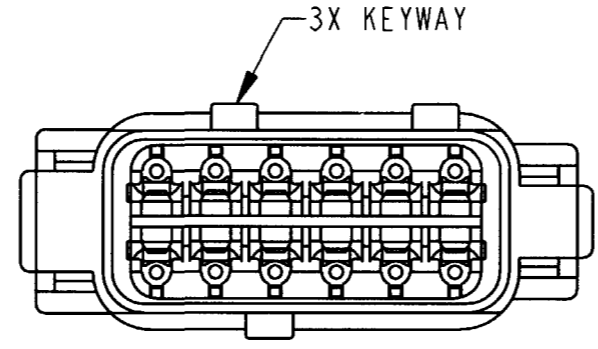
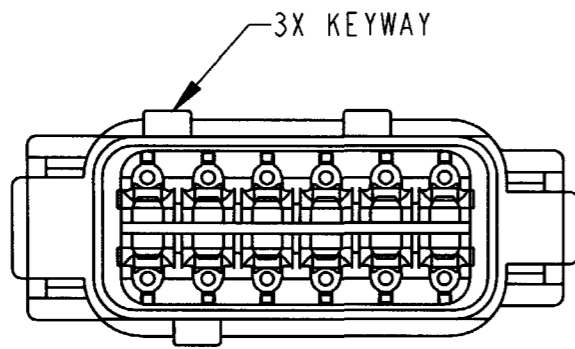
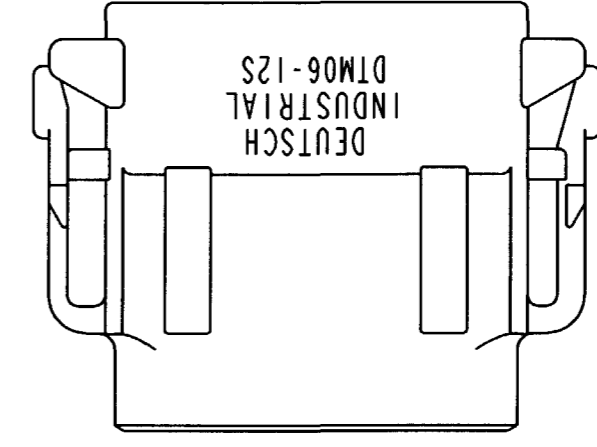
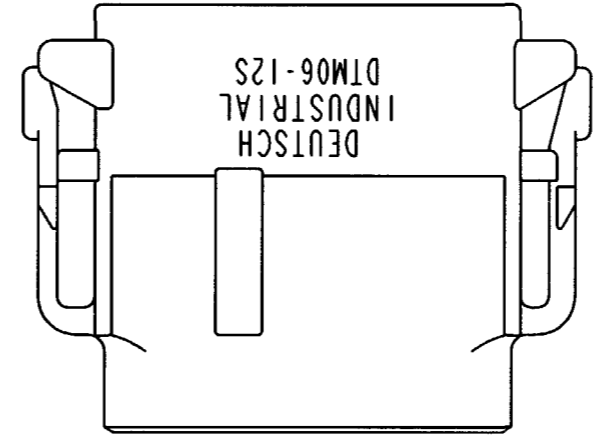
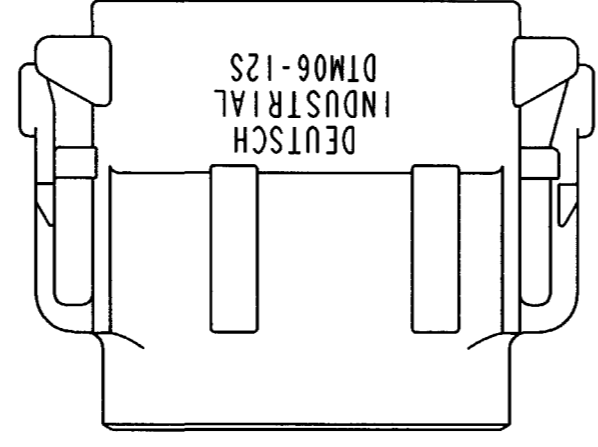
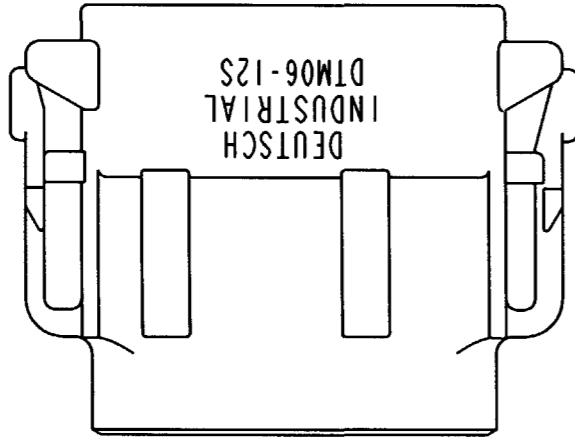
CONTACT SIZE	MIN. INSUL. O.D.	MAX. INSUL. O.D.	WIRE RANGE [mm <sup>2</sup> ] REF ONLY
20	.053 [1.35]	.120 [3.05]	16-22 AWG [1.0-0.5]

SIGNATURE & DATE	
DR	D. MEYER 05/02/07
CHK	<i>[Signature]</i> 4/16/08
PE	<i>[Signature]</i> 4/16/08
APPD	<i>[Signature]</i> 4/16/08
SCALE	NONE

PLUG  
12 CONTACTS, SIZE 20  
A,B,C,D KEYS  
-EE04 MOD  
DTM SERIES  
ENVELOPE

EP 172	MATL. CODE
3850 INDUSTRIAL AVE. HEMET, CA 92545	
<b>B</b> DTM06-12S*-EE04	
DWG. SIZE	CODE 11139 SHEET 1 OF 2

REV A	DTM06-12S*-EE04	REVISIONS			
		SYM	DESCRIPTION	DATE	APPROVED
		A	SEE SHEET 1	5/12/08	DM



**DTM06-12SA-EE04**  
KEY -A-  
COLOR: BLACK

**DTM06-12SB-EE04**  
KEY -B-  
COLOR: BLACK

**DTM06-12SC-EE04**  
KEY -C-  
COLOR: BLACK

**DTM06-12SD-EE04**  
KEY -D-  
COLOR: BLACK

NOTES:

SIGNATURE & DATE		PLUG 12 CONTACTS, SIZE 20 A,B,C,D KEYS -EE04 MOD DTM SERIES	EP 172	MATL. CODE
DR	D. MEYER 05/02/07		3850 INDUSTRIAL AVE. HEMET, CA 92545	
CHK	<i>[Signature]</i> 5/12/08		<b>DEUTSCH</b> INDUSTRIAL	
PE	<i>[Signature]</i> 5/12/08		<b>B</b> DTM06-12S*-EE04	
APPD	<i>[Signature]</i> 5/12/08		DWG SIZE	CODE 11139
SCALE	NONE	ENVELOPE		SHEET 2 OF 2